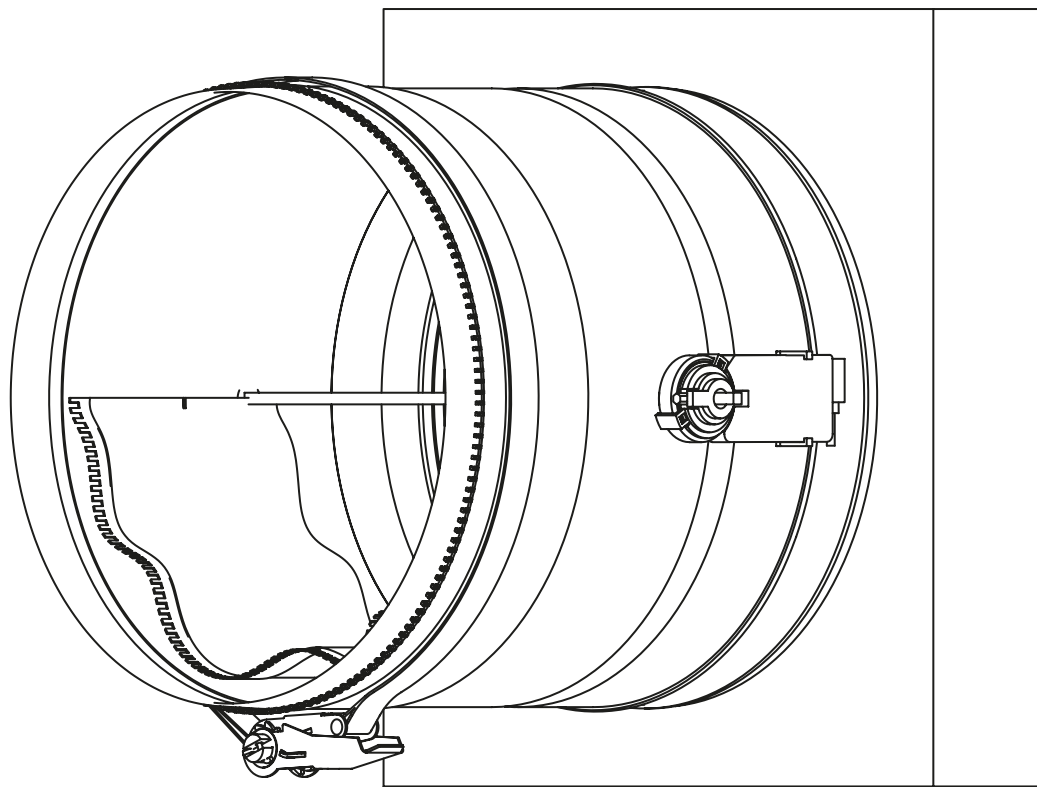


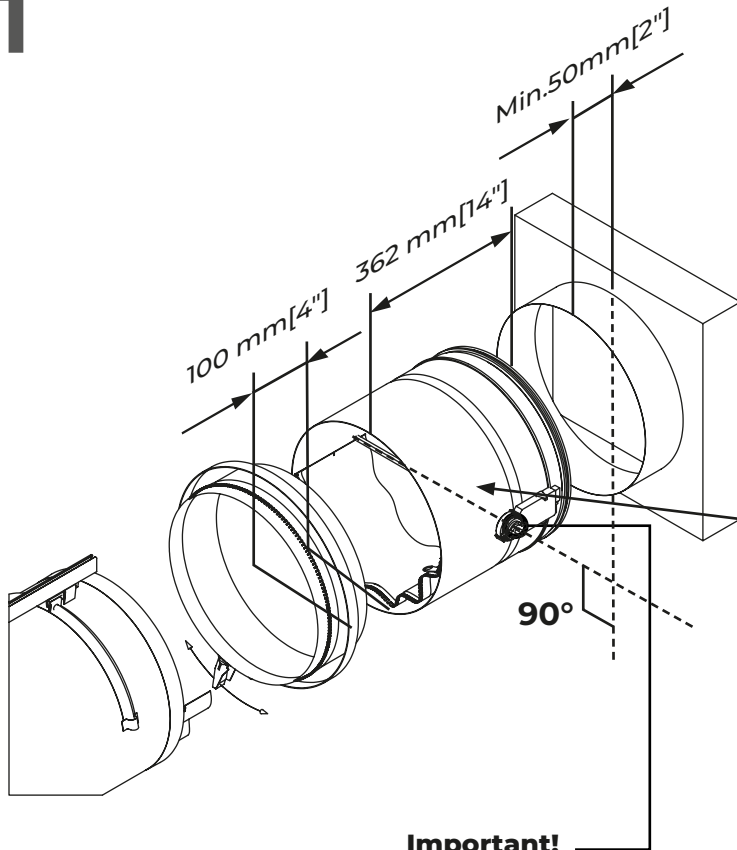
VarioDuct Damper

Installation Manual for VarioDuct Damper



Installation of VarioDuct damper

1

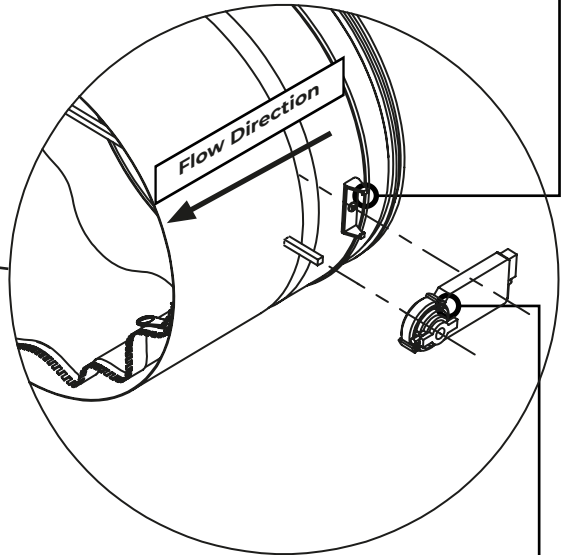


Important!

The actuator should always be placed at 9 o'clock (as seen in the flow direction), with the shaft in a horizontal position.

Important!
The actuator should always be placed at 9 o'clock (as seen in the flow direction), and the shaft should be in a horizontal position.

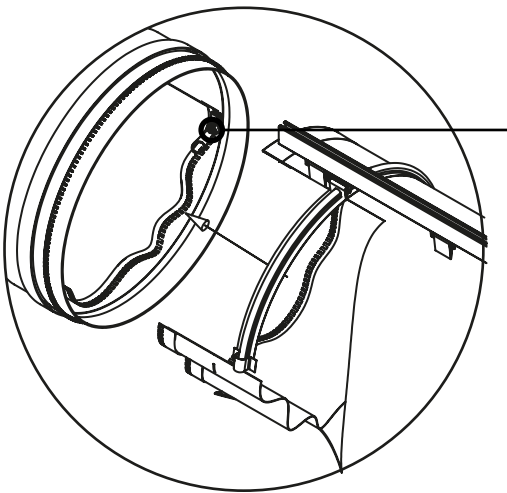
The actuator is standardly placed at 9 o'clock. If you require it to be placed at 3 o'clock, please contact FabricAir before placing the final order.



Important!

Actuator available in 2 versions:
AC/DC 24V & AC 100-240V
To be specified by customer.

To change the shaft position without electrical connection, use the magnetic relief in front of the actuator. Instructions can be found on a separate datasheet. If installing multiple FabricAir VarioDucts, ensure all shafts are in the same position before connecting electricity.



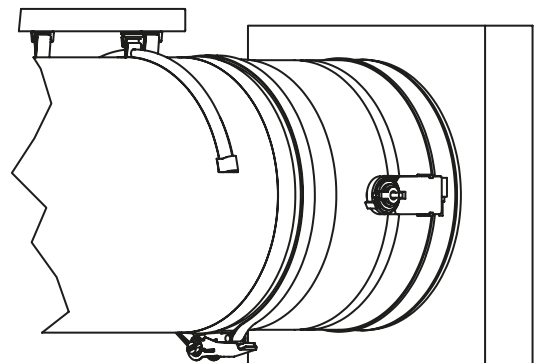
Important!

The zipper should be locked! Place the handle along the zipper for locking.



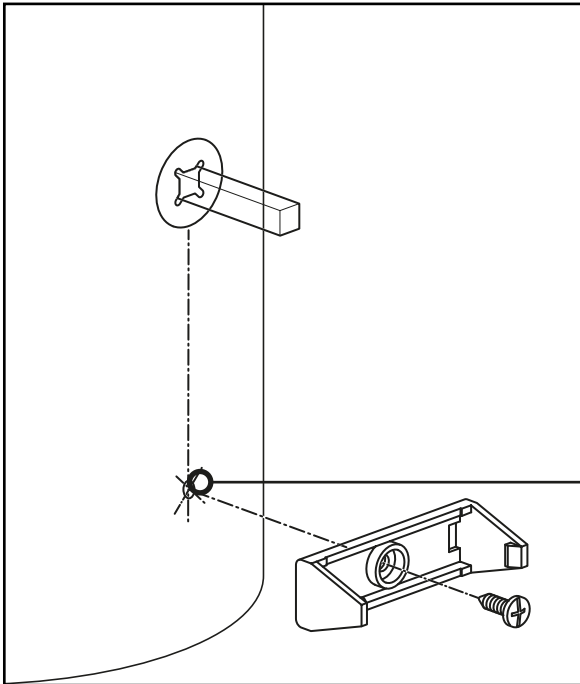
Actuator
datasheet

2

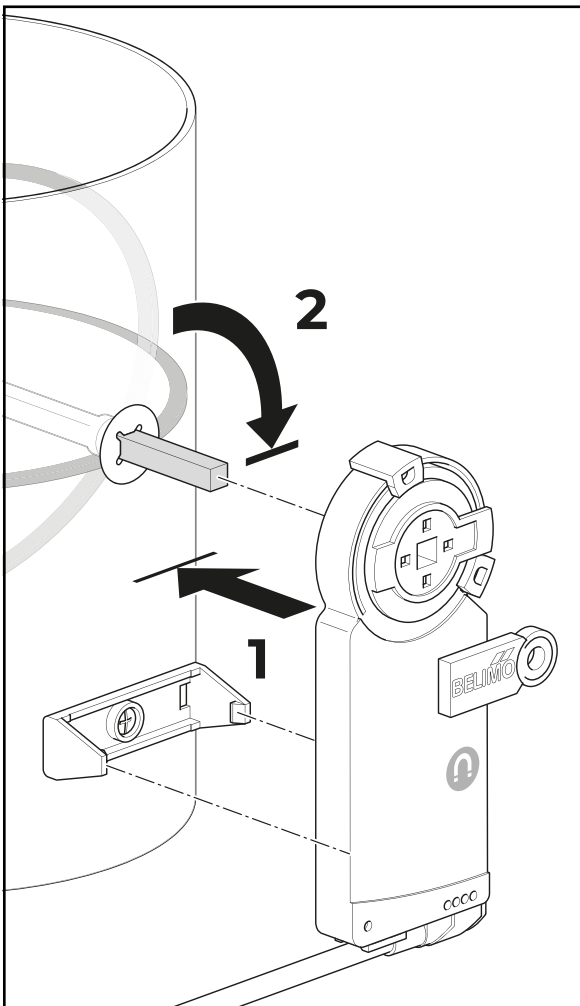


In case actuator position needs to be replaced after delivery, please contact FabricAir for instructions.

Installing Belimo actuator



— Screw the actuator holder onto the damper through the pre-drilled hole.



Place the actuator onto the shaft and actuator holder.

If installing multiple FabricAir VarioDucts, ensure that all shafts and actuators are in the same position.