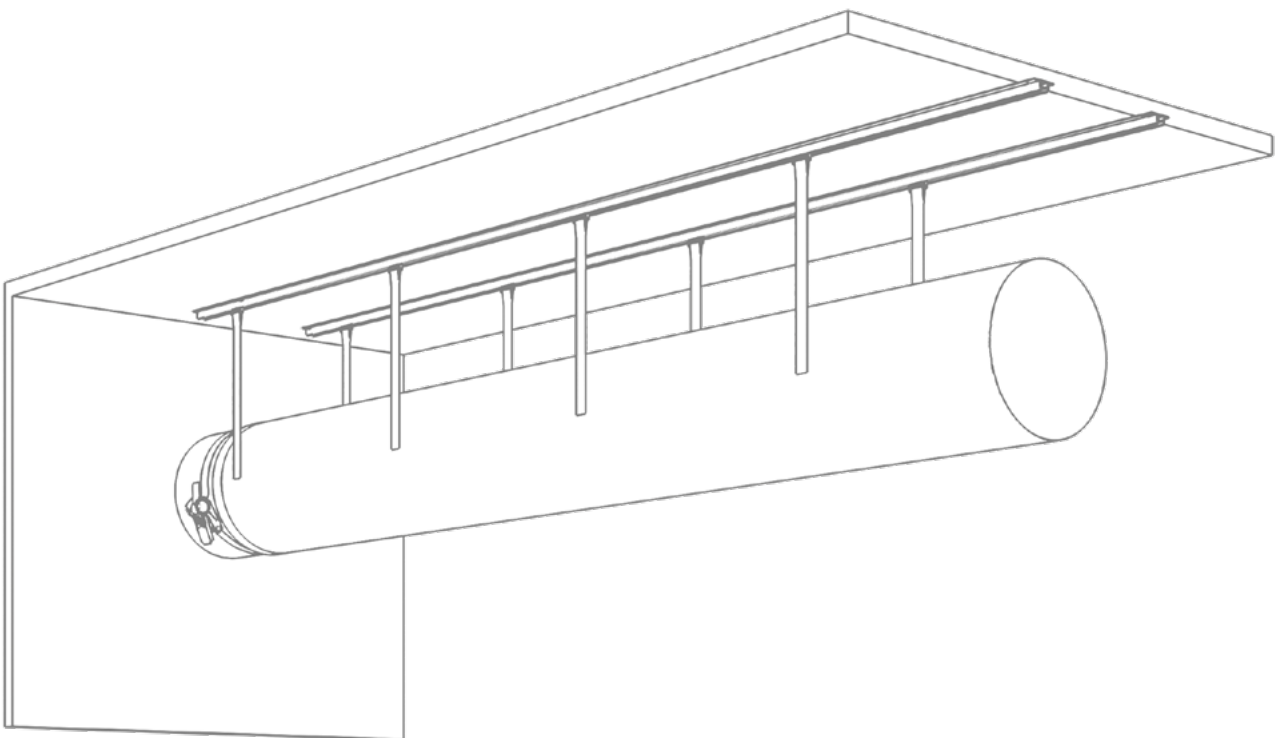


# Type 04

## Installation Manual



Type 04 suspension is compatible with classic ducts.

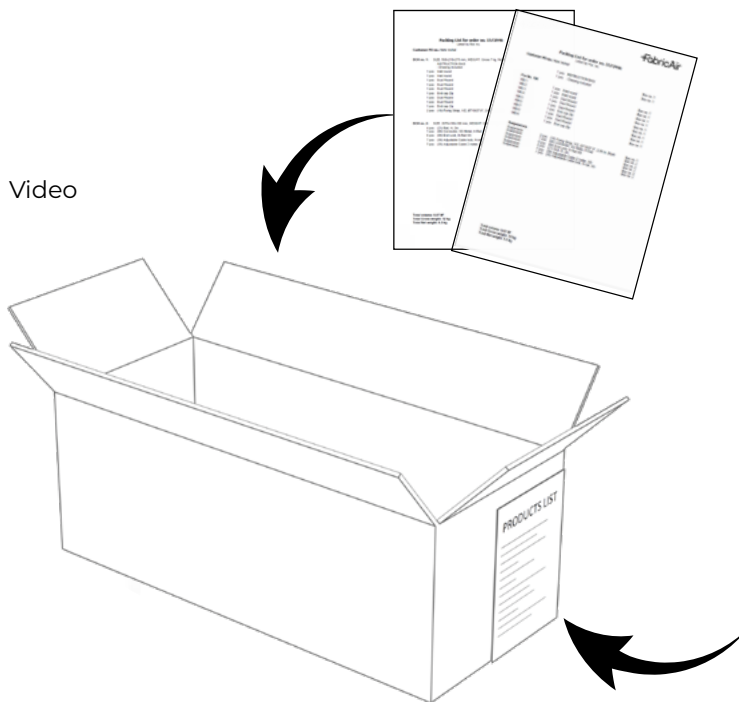
T-Rail attaches directly to any type of flat ceiling.

Type 04 provides the shortest distance between top of duct and ceiling.

# Content

<b>1.0 OPENING PACKAGE .....</b>	<b>3</b>
1.1 Understanding the components table .....	4
1.2 Type 04 suspension components .....	5
<b>2.0 SUSPENSION INSTALLATION .....</b>	<b>6</b>
2.0 Suspension installation .....	6
2.1 Mounting T-Rail .....	6
2.2 Mounting T-Rail for branches.....	8
2.3 Bendings and elbows.....	9
2.4 Detailed suspension installation .....	10
<b>3.0 HANGING THE FABRIC .....</b>	<b>11</b>
3.1 Connection to sheet metal part with fixing strap .....	11
3.2 Fixing straps .....	11
3.3 Installation of duct on T-Rail .....	12

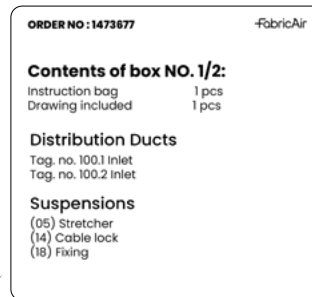
# 1.0 OPENING PACKAGE



Box 1 includes all project documentation:

- System Drawing(s)
- Installation Guide
- Packing List (by box)
- Packing List (by positions)

Box number and contents list visible on external box label.



FabricAir		
<b>Packing List for order no. 1572946</b>		
Listed by Pos. no.		
Customer PO no.: Nate Verbal		
	1 pcs INSTRUCTION BAG	Box no. 1
	1 pcs - Drawing included	Box no. 1
<b>Pos No. 100</b>		
100.1	1 pcs Inlet round	Box no. 1
100.2	1 pcs Inlet round	Box no. 1
100.3	1 pcs Duct Round	Box no. 1
100.4	1 pcs Duct Round	Box no. 1
100.5	1 pcs Duct Round	Box no. 1
100.6	1 pcs End cap Zip	Box no. 1
100.7	1 pcs Duct Round	Box no. 1
100.8	1 pcs Duct Round	Box no. 1
100.9	1 pcs End cap Zip	Box no. 1
<b>Suspensions</b>		
Suspension	2 pcs (18) Fixing Strap, Y/Z, Ø710/27.9", 2.46 m, Black	Box no. 1
Suspension	1 pcs (06) Connector, SS Metal, H-Rail	Box no. 2
Suspension	6 pcs (08) End Lock, H-Rail SS	Box no. 2
Suspension	4 pcs (21) Rail, H, 2m	Box no. 2
Suspension	7 pcs (38) Adjustable Cable 2 meter, SS	Box no. 2
Suspension	7 pcs (36) Adjustable Cable lock, H-rail, SS	Box no. 2
<p>Total volume: 0.07 M<sup>3</sup>                      Total Gross weight: 12 kg                      Total Net weight: 9.3 kg</p>		

FabricAir		
<b>Packing List for order no. 1572946</b>		
Listed by Box no.		
Customer PO no.: Nate Verbal		
<b>BOX no. 1:</b>	SIZE: 590x210x275 mm, WEIGHT: Gross 7 kg, Net 5.9 kg.	
	INSTRUCTION BAG	
	- Drawing included	
	1 pcs Inlet round	Tag No. 100.1
	1 pcs Inlet round	Tag No. 100.2
	1 pcs Duct Round	Tag No. 100.3
	1 pcs Duct Round	Tag No. 100.4
	1 pcs Duct Round	Tag No. 100.5
	1 pcs End cap Zip	Tag No. 100.6
	1 pcs Duct Round	Tag No. 100.7
	1 pcs Duct Round	Tag No. 100.8
	1 pcs End cap Zip	Tag No. 100.9
	2 pcs (18) Fixing Strap, Y/Z, Ø710/27.9", 2.46 m, Black	Suspension
<b>BOX no. 2:</b>	SIZE: 2070x150x100 mm, WEIGHT: Gross 5 kg, Net 3.45 kg.	
	4 pcs (21) Rail, H, 2m	Suspension
	1 pcs (06) Connector, SS Metal, H-Rail	Suspension
	6 pcs (08) End Lock, H-Rail SS	Suspension
	7 pcs (36) Adjustable Cable lock, H-rail, SS	Suspension
	7 pcs (38) Adjustable Cable 2 meter, SS	Suspension
<p>Total volume: 0.07 M<sup>3</sup>                      Total Gross weight: 12 kg                      Total Net weight: 9.3 kg</p>		

- There are two packing lists – by box and by position. Each box may contain either suspension components or ducting. Each duct section/component has a Tag number (Tag No. XXX.X). Suspension elements have part ID numbers. Example: (21) T-Rail, 2 m. In this case, (21) is part ID.
- Tag numbers are marked in assembly sequence. Assembly of ducting should start with Tag No. XXX.1 and continue accordingly.

# 1.1 Understanding components table (located on system drawing)

COMPONENTS								
Tag#	Fabric	Color	Flow model			Suspension		
			Primary	Placement	Secondary	Type	Strap length	Material
350404600025	Combi 70	Black 3004			FabFlow		0	GV
100.1	Combi 70	Black 3004			FabFlow		0	GV
100.2	Combi 70	Black 3004	SonicFlow SonicFlow SonicFlow SonicFlow SonicFlow	2:00 3:00 4:00 5:00 6:00	FabFlow	Type 01 AiO	50 mm [2"]	GV

THE CHART SHOWN ABOVE IS AN EXAMPLE

**Tag#:** the unique number for that section, this is the identifying/unique number for that section.

**Tag 3504..##..25:** this part is the FabricAir flowcone that helps manage turbulence and can be zipped into any joint.

**Fabric:** the fabric selected for this project.

**Color:** the color selected (standard meaning to select from the standard color chart for that fabric).

**Flow model primary:** primary dispersion method.

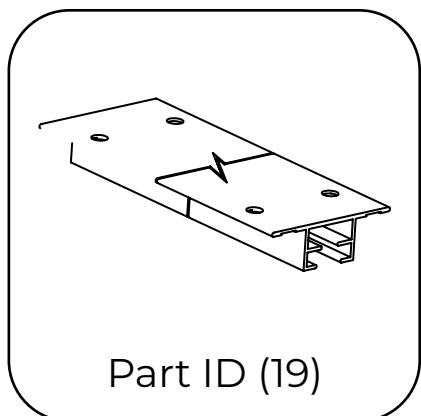
**Placement:** position of the holes; direction of airflow based on the direction of airflow with the air hitting you from behind.

**Flow model secondary:** FabFlow for permeable fabrics.

**Suspension type:** the suspension model selected for the project.

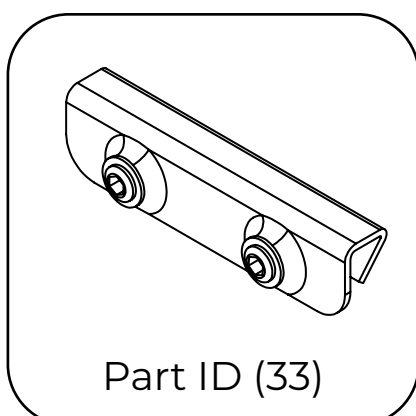
**Strap length:** the length of the strap from the top of the duct to the suspension.

## 1.2 Type 04 suspension components (located on packing lists)



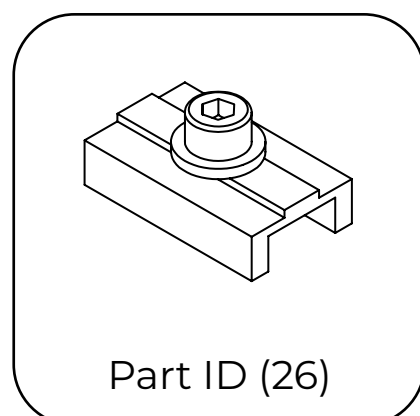
Part ID (19)

T-Rail profile



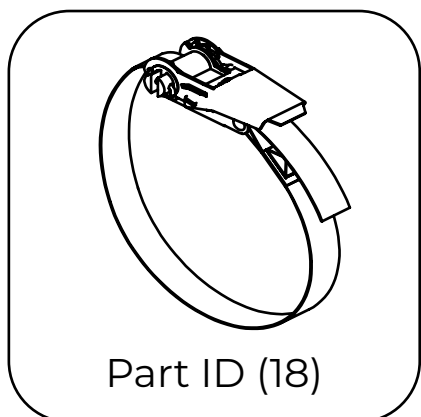
Part ID (33)

Connector for T-Rail



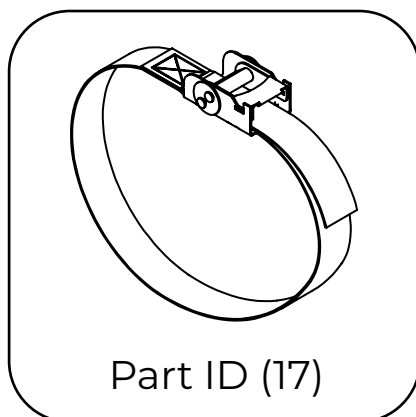
Part ID (26)

Profile lock for T-Rail



Part ID (18)

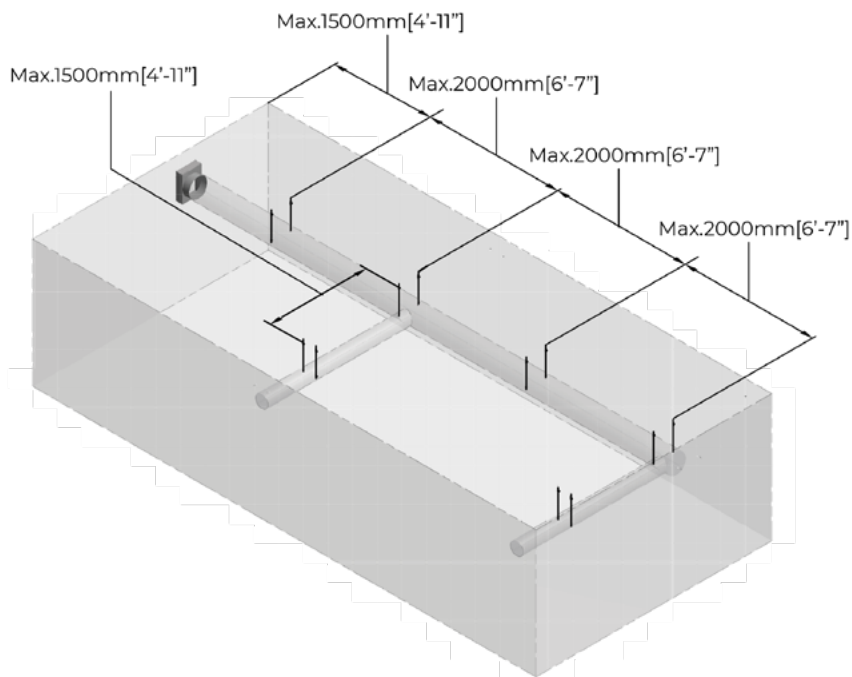
Fixing strap for duct  
 $\varnothing > 508 \text{ mm [20"]}$



Part ID (17)

Fixing strap for duct  
 $\varnothing < 508 \text{ mm [20"]}$

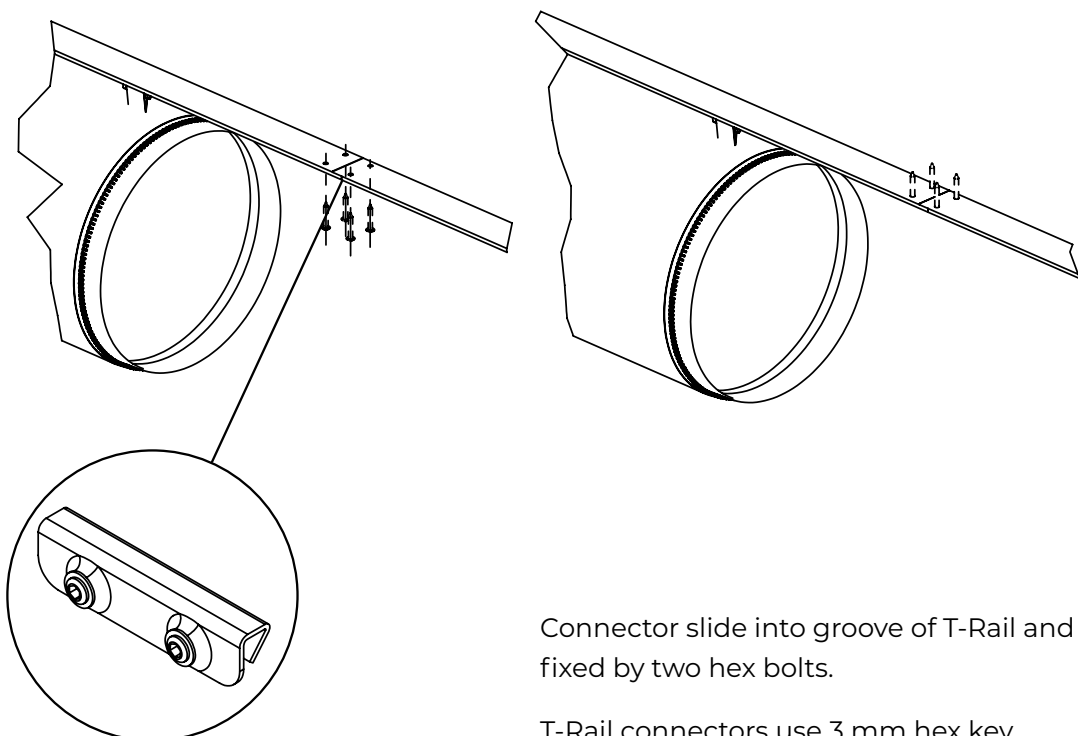
## 2.0 SUSPENSION INSTALLATION



### 2.1 Mounting T-Rail

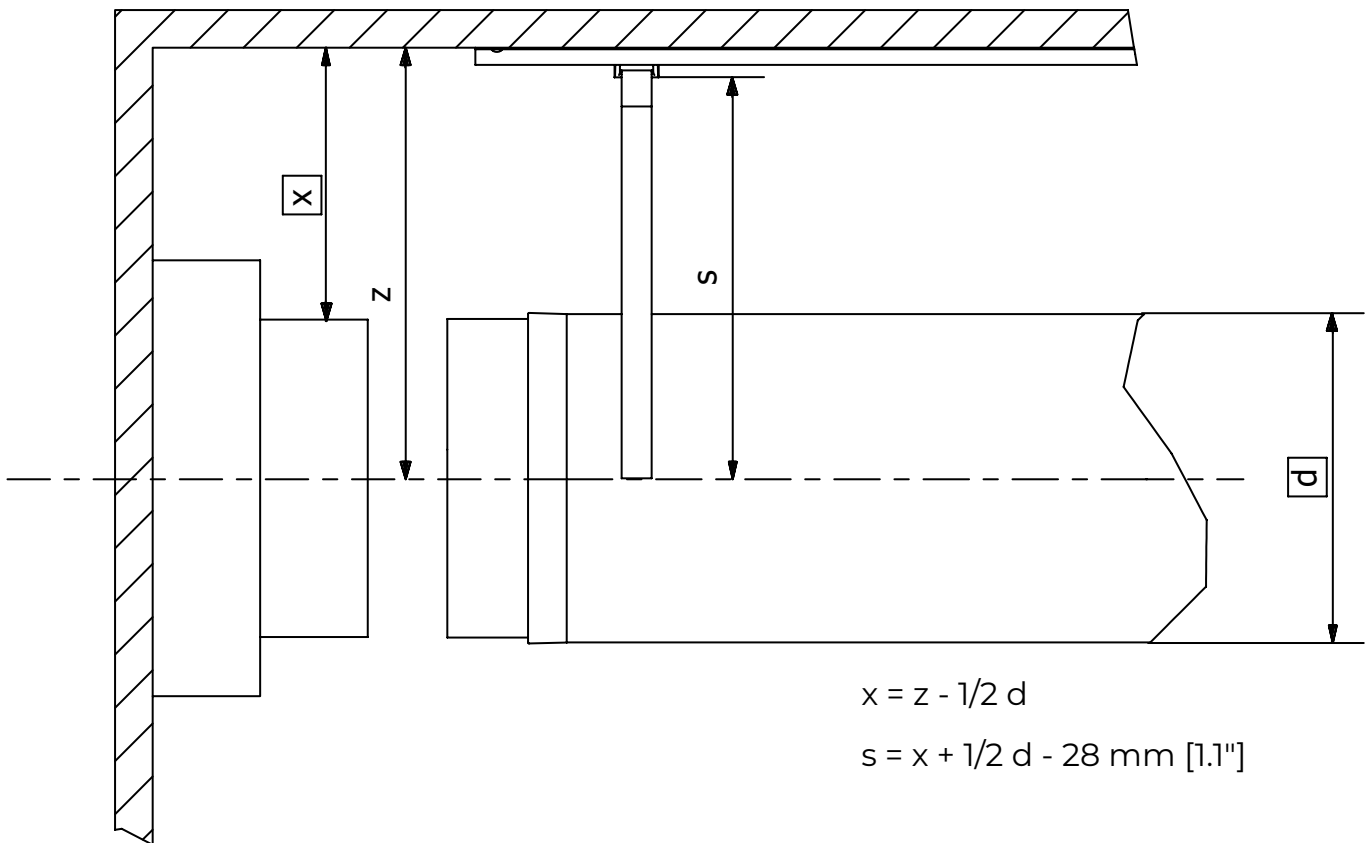
- Connector for T-Rail shall be supplied by FabricAir.
- T-Rail is produced in 2 m sections.
- These suspension systems must be mounted flush to the ceiling.  
They cannot be suspended below the structure using T-Rail.

Video



Connector slide into groove of T-Rail and is fixed by two hex bolts.

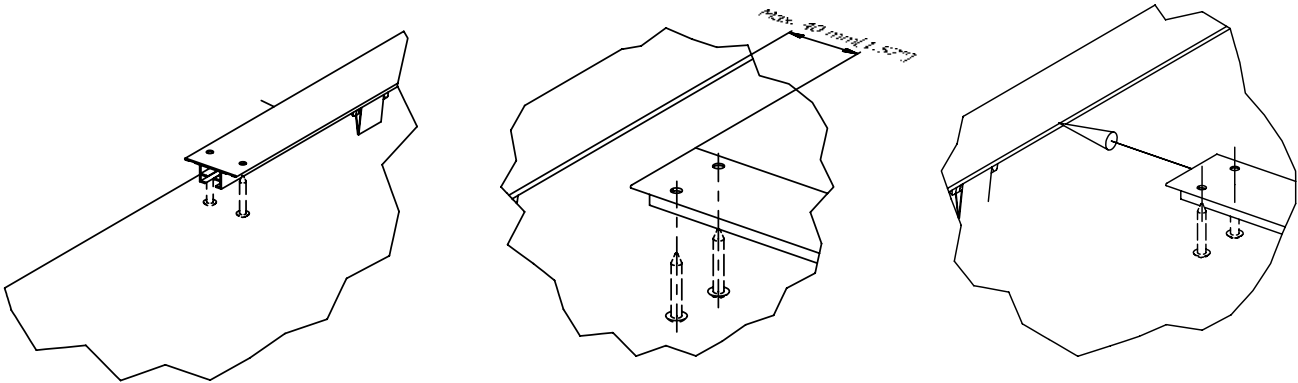
T-Rail connectors use 3 mm hex key.



- The T-Rail must be mounted along the centerline of the FabricAir system.
- Utilize chalk lines and/or lasers to ensure straight installation.
- T-Rails must be anchored to the structure using fasteners supplied by others.
- T-Rails are not pre-drilled, allowing for contractor flexibility in determining the best location for fastening to the structure.
- For maximum stability, T-Rails must be secured to the structure on both sides of each end, with a minimum of four fasteners per rail.
- T-Rails can be cut to the desired length as necessary. However, as a best practice, ensure an additional length of 300 mm [12"] at the end of the run to accommodate for fabric expansion under pressure.
- These suspension systems must be mounted flush to the ceiling. They cannot be suspended below the structure using T-Rail.

## 2.2 Mounting T-Rail for branches

Video

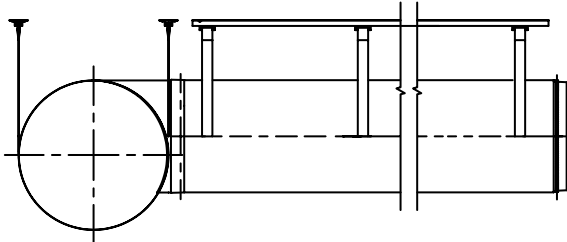
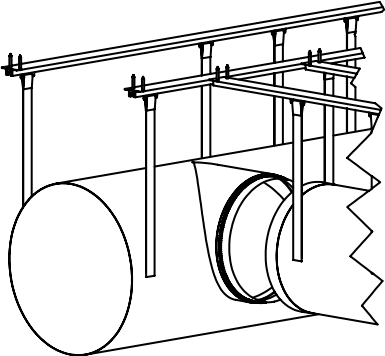


- Provision must be made to allow for the insertion of branch clips into the rail by incorporating an appropriate gap between the rails during installation. This will enable the seamless integration of the branch clips into the overall system, ensuring optimal performance.
- The system can be implemented within the T-Bar framework of suspended ceiling for types 03 and 04. The T-Rails should be securely affixed to the T-Bars at intervals of 600 mm [2'] or 1200 mm [4'] for optimal suspension.
- It is of paramount importance to ensure compliance with the weight load specifications of the suspended ceiling system prior to installation, as failure to adhere to these guidelines can result in structural integrity issues. Thus, it is essential to thoroughly review and verify the weight load capacity of the system to ensure safe and secure implementation.

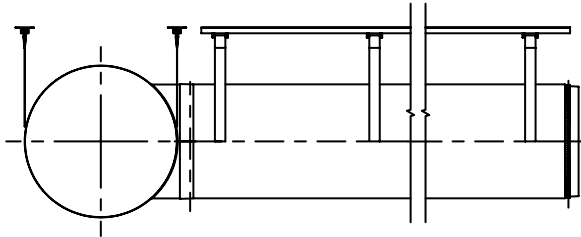
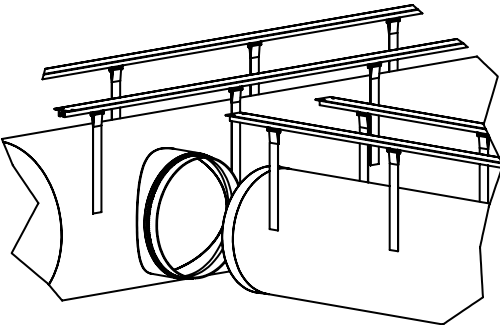


# 2.3 Branches

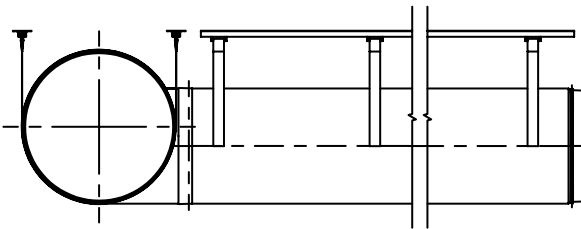
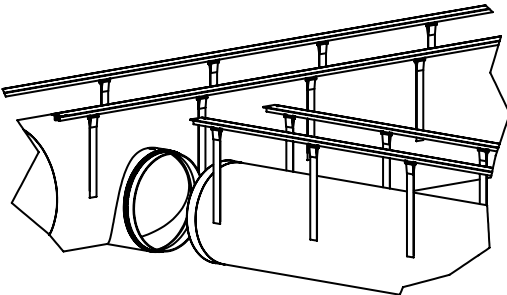
Top aligned branch



Middle aligned branch with extended strap length

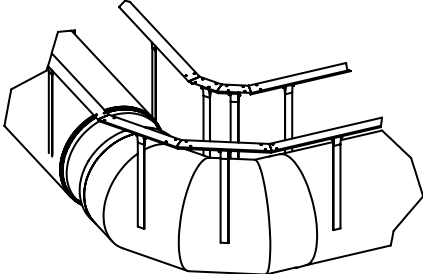


Bottom aligned branch with extended strap length

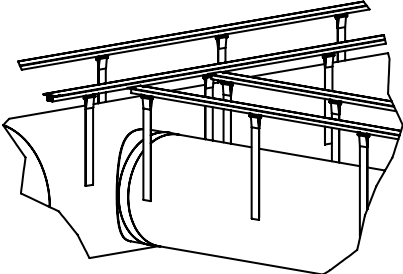


# 2.4 Detailed suspension installation details

Use QR code for more detailed information for each type.



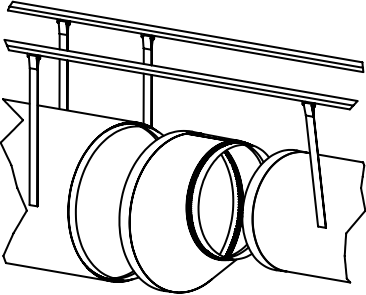
**Bendings and elbows**  
All degrees and sizes



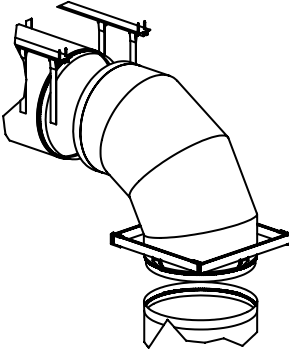
**Branches**  
Top/center/bottom aligned

Drawings

Drawings



**Reductions**  
Top/center/bottom aligned



**Vertical duct suspension methods**

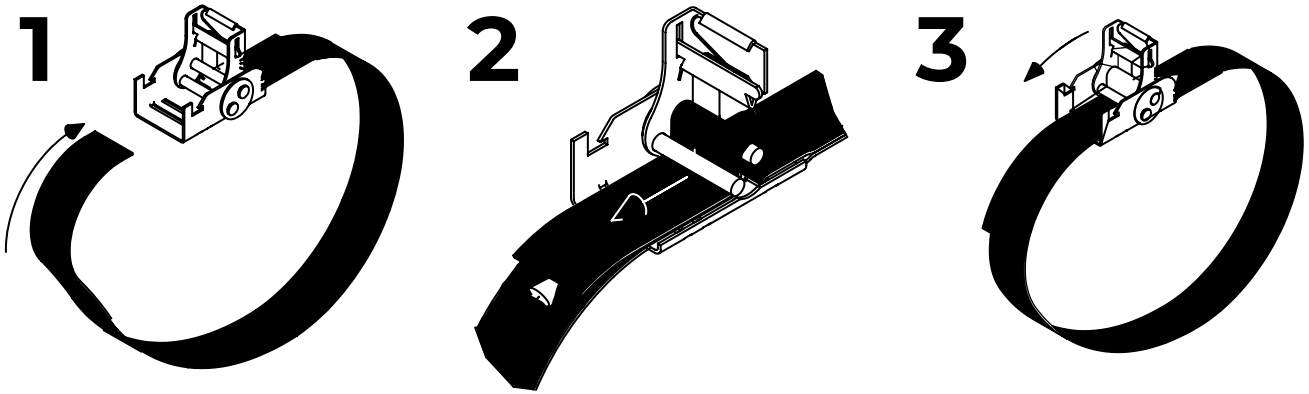
Drawings

Drawings

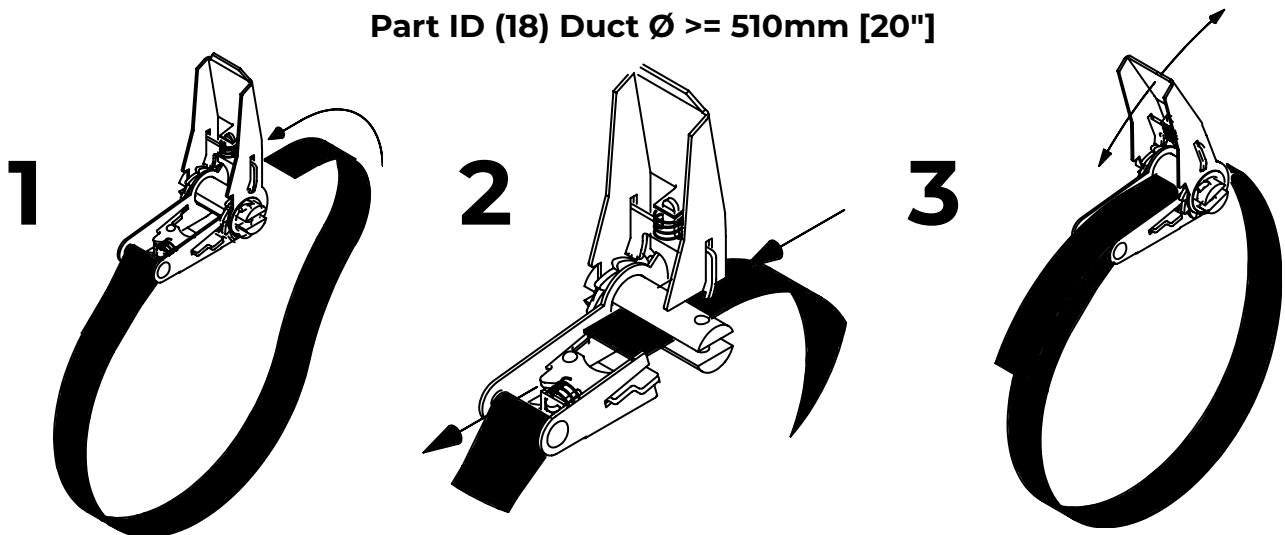
### 3.0 HANGING THE FABRIC

#### 3.1 Fixing straps

Part ID (17) Duct  $\varnothing < 510$  mm [20"]



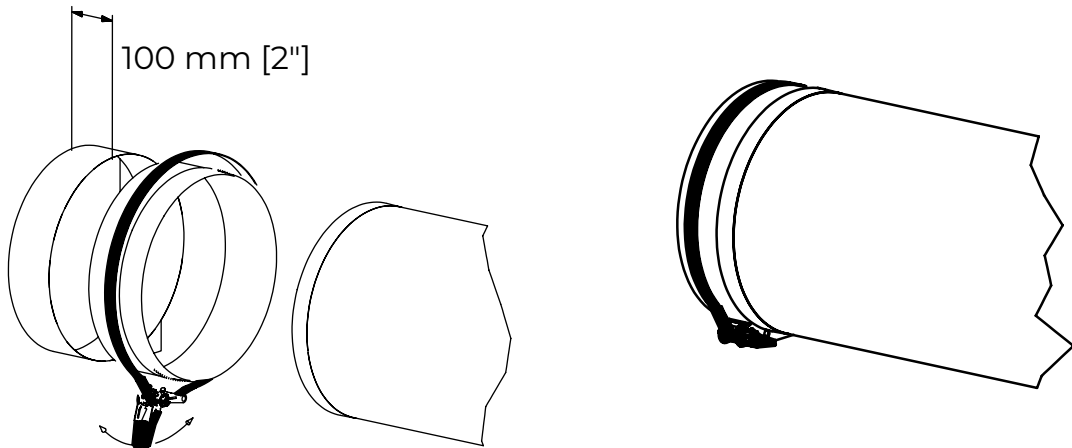
Part ID (18) Duct  $\varnothing \geq 510$ mm [20"]



#### 3.2 Connection to sheet metal part with fixing strap

Min. 50mm [2"]

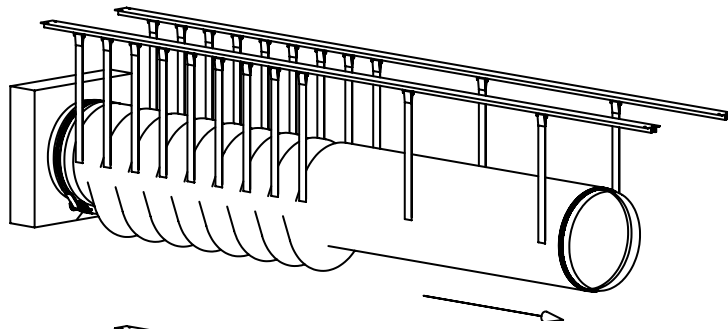
100 mm [2"]



### 3.3 Installation of duct on T-Rail

**1**

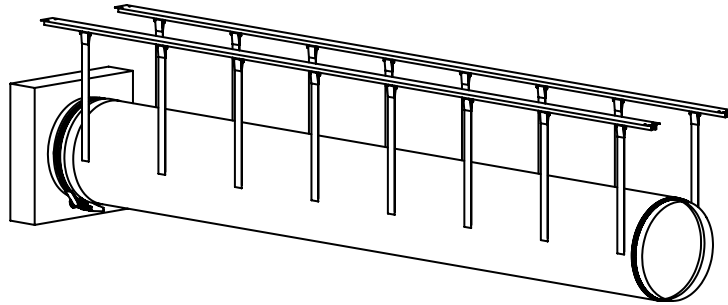
Hang ducting first



Video

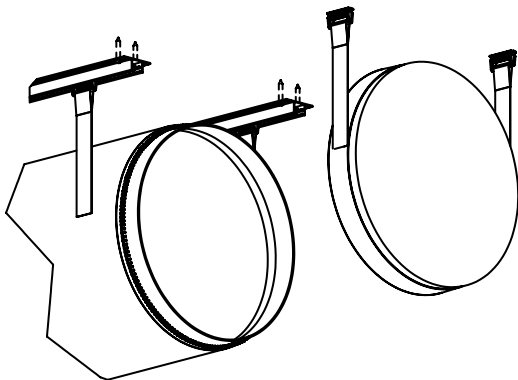
**2**

Stretch the duct



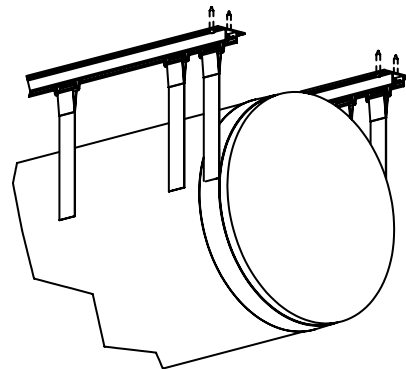
**3**

Insert hangers in the rail



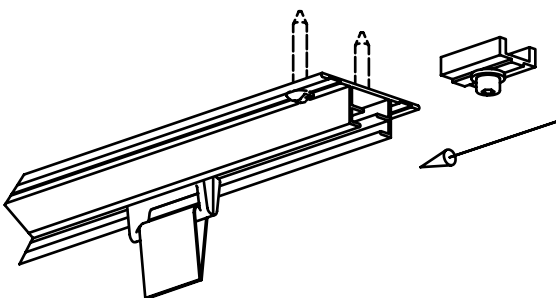
**4**

Slide endcap to the end of the duct. Zip it



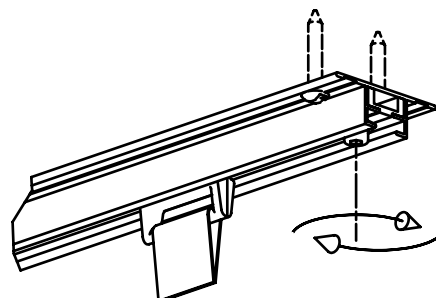
**5**

Secure duct by inserting profile lock



**6**

Fix profile lock by turning bolt clockwise



[fabricair.com/contacts/](http://fabricair.com/contacts/)

smart air  
solutions.

All rights reserved to FabricAir®, 2023.  
The latest version can be downloaded from [fabricair.com](http://fabricair.com)  
Version: 230809