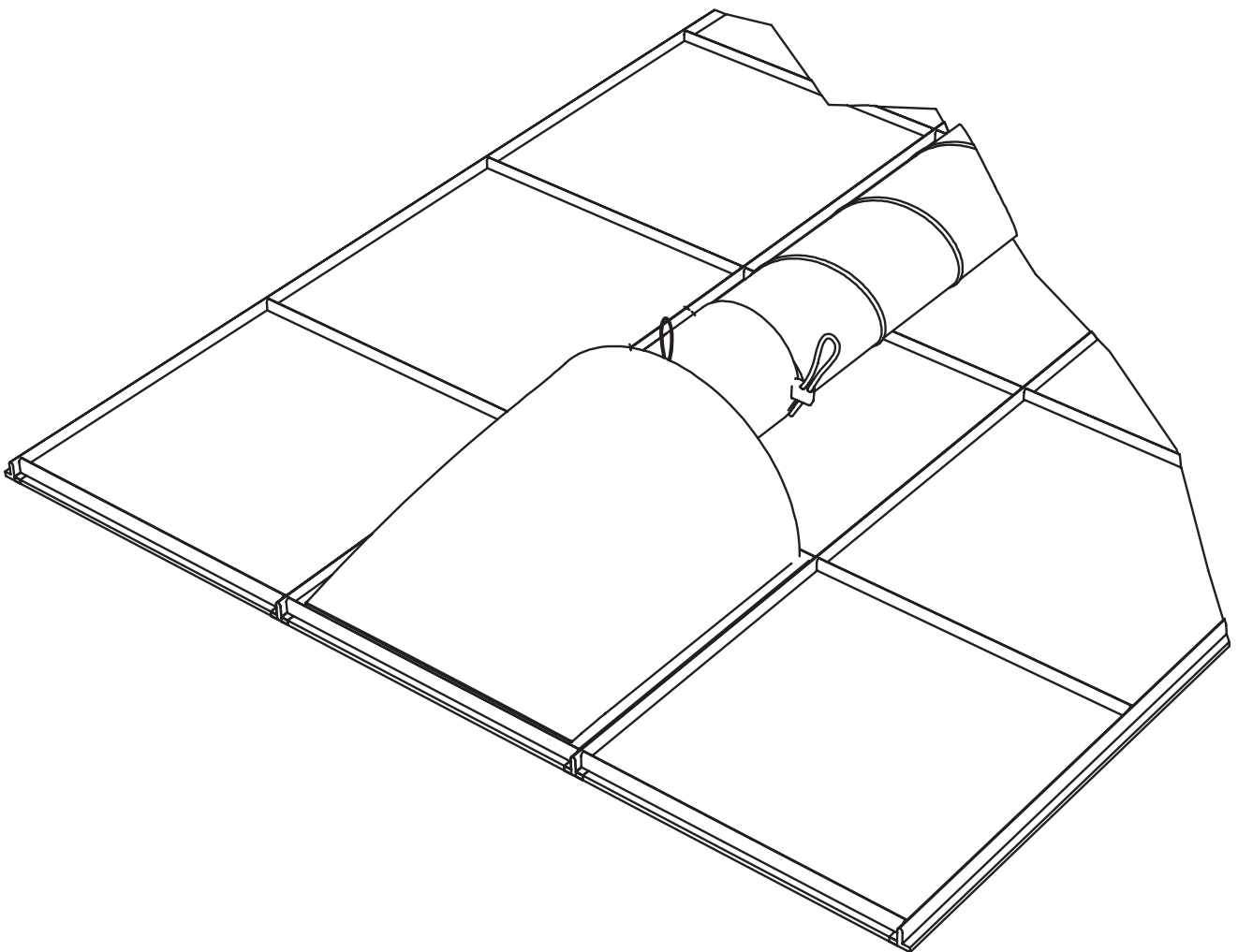
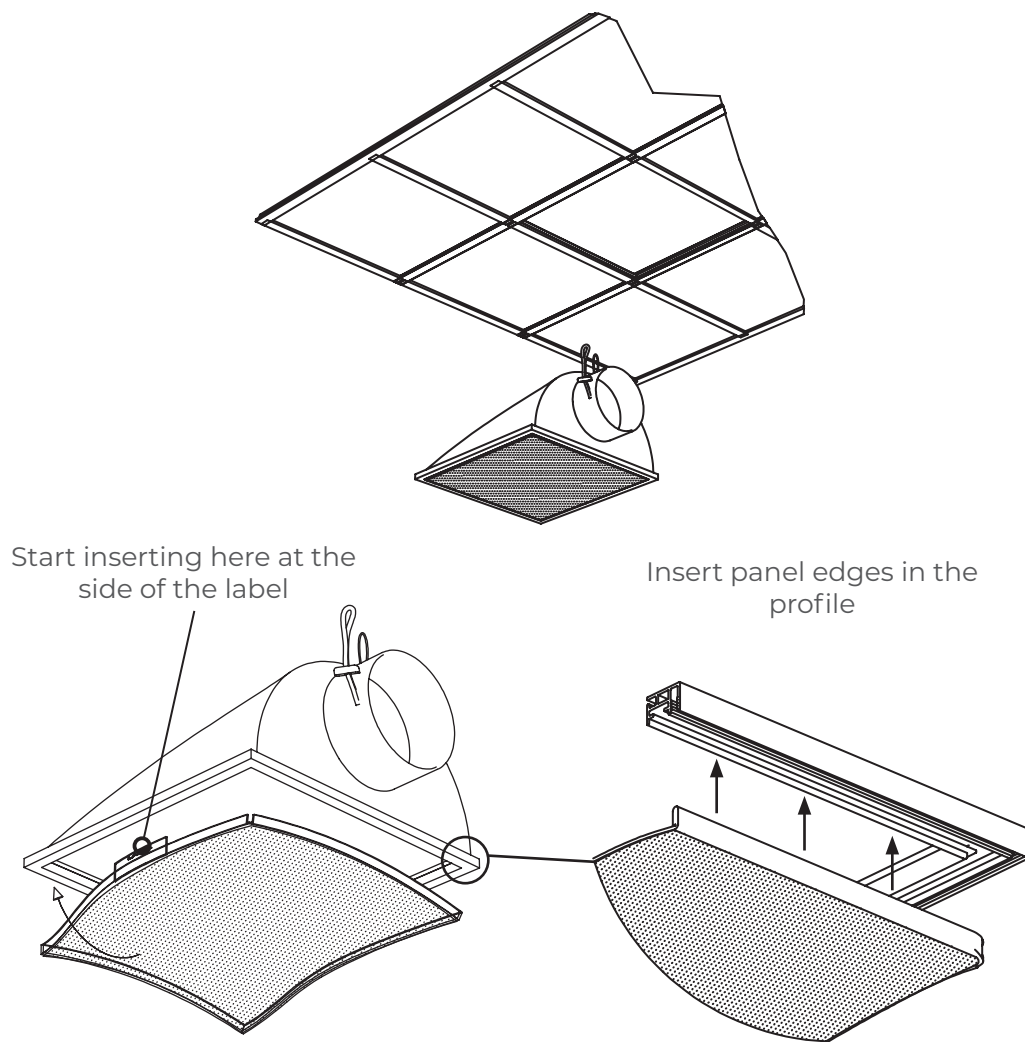


# Ceiling Diffuser

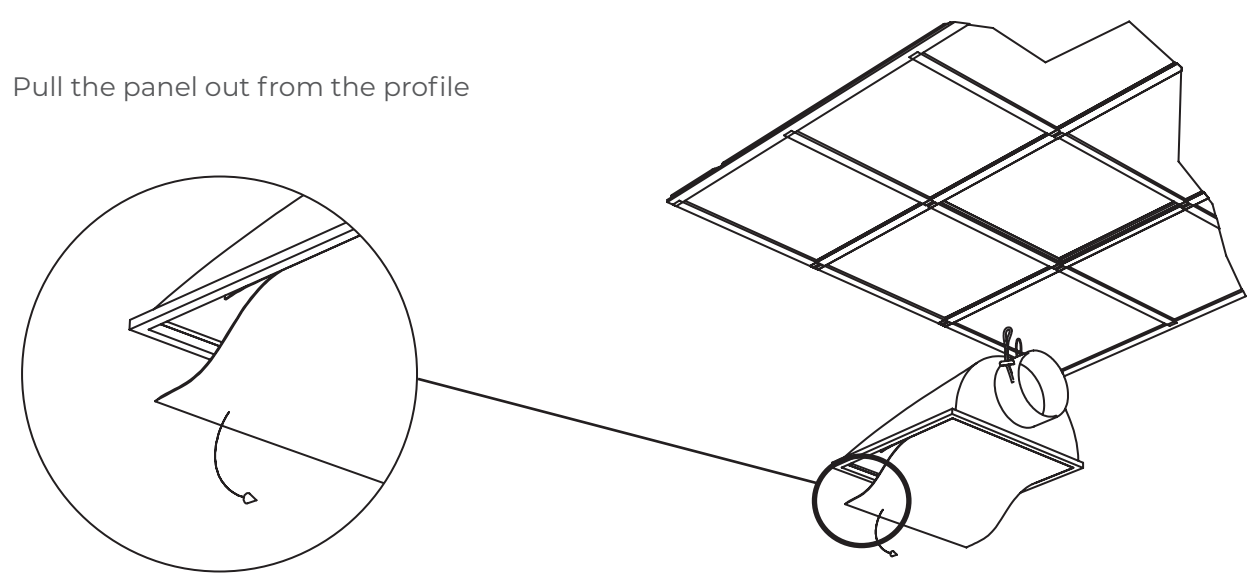
Installation Manual for SMM and EPM



# Flow panel mounting

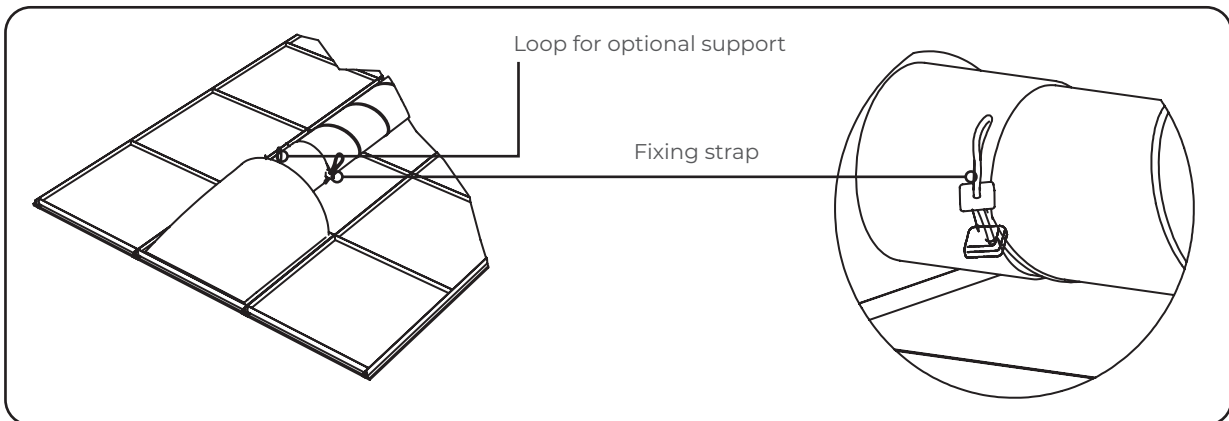


# Flow panel dismantling



# Connecting to solid ducts

## Ø 125 mm - 250 mm



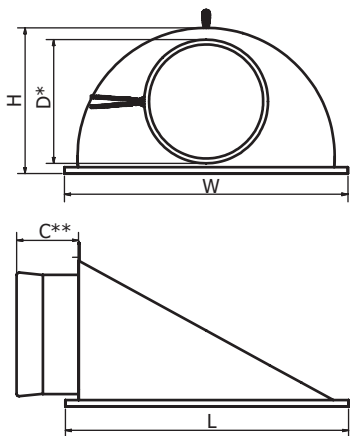
Recommended

Aligned

Tolerance for SMM (only)

Unit	Duct placement	X	Y	Z
SMM	Recommended	Aligned	160 mm (Ø < 250 mm) 175 mm (Ø = 250 mm)	centred
	Tolerance	-50 mm (max)	Recommended ± 50 mm	
EPM	Recommended	Aligned	160 mm (Ø < 250 mm) 175 mm (Ø = 250 mm)	centred

### Dimensions



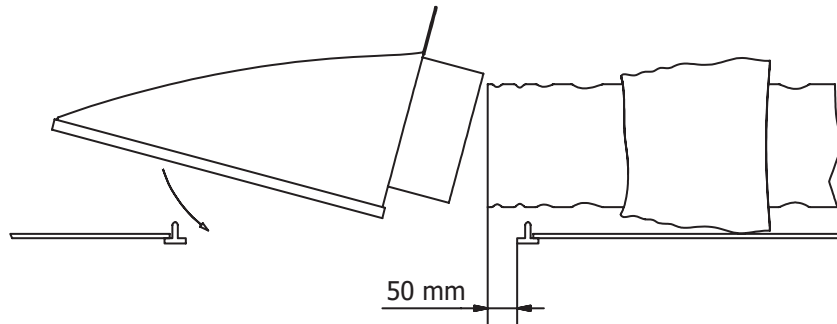
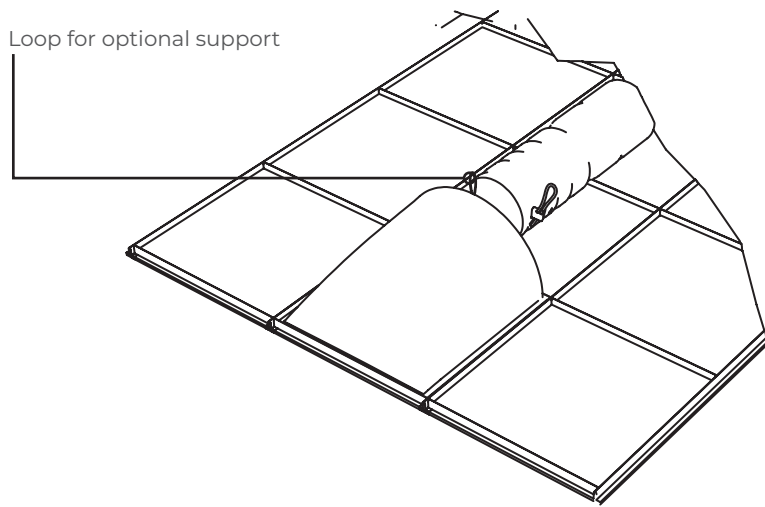
SMM EPM	Size (mm)	W (mm)	L (mm)	H (mm)	D* (mm)	C** (mm)	m (kg)
	600 x 600	595	595	300	260	205	1,7
	600 x 1200	595	1195	300	260	205	2,8
	1200 x 600	1195	595	300	260	205	2,8
	625 x 625	620	620	300	260	205	1,9
	625 x 1250	620	1245	300	260	205	3,1
	1250 x 625	1245	620	300	260	205	3,1

\* Fits for duct sizes Ø125-250 mm by adjusting the strap lock.

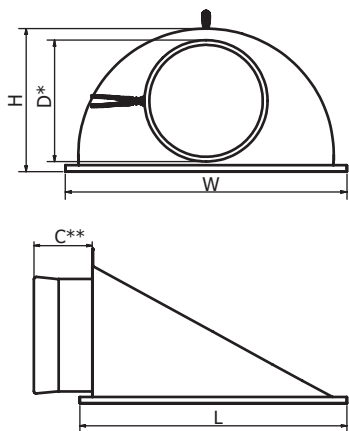
\*\* Length of the connection sleeve when fully extended. Length decreases with the size of the duct when connected. Smaller duct diameter results in a shorter length of the connection sleeve.

# Connecting to flexible ducts

## Ø 125 mm - 250 mm



### Dimensions



	Size (mm)	W (mm)	L (mm)	H (mm)	D* (mm)	C** (mm)	m (kg)
<b>SMM EPM</b>	<b>600 x 600</b>	595	595	300	260	110	1,7
	<b>600 x 1200</b>	595	1195	300	260	110	2,8
	<b>1200 x 600</b>	1195	595	300	260	110	2,8
	<b>625 x 625</b>	620	620	300	260	110	1,9
	<b>625 x 1250</b>	620	1245	300	260	110	3,1
	<b>1250 x 625</b>	1245	620	300	260	110	3,1

\* Fits for duct sizes Ø125-250 mm by adjusting the strap lock.

\*\* Length of the connection sleeve when fully extended. Length decreases with the size of the duct when connected. Smaller duct diameter results in a shorter length of the connection sleeve.