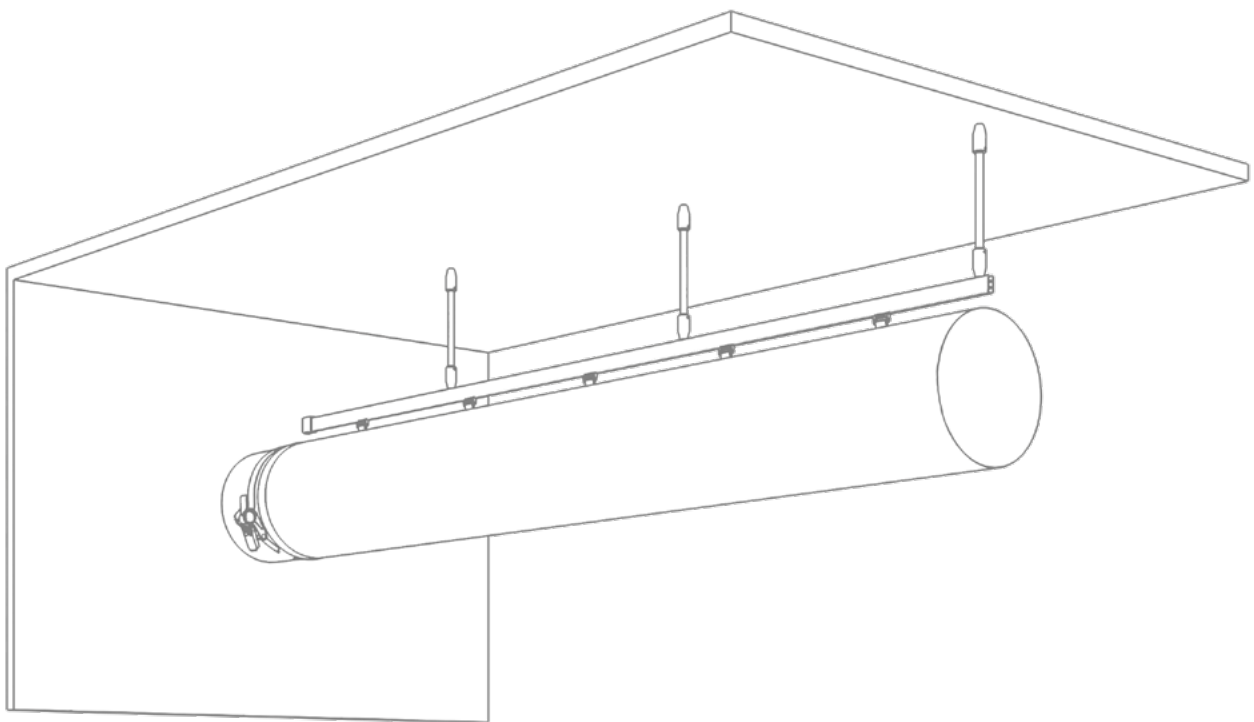


Type 05

Installation Manual



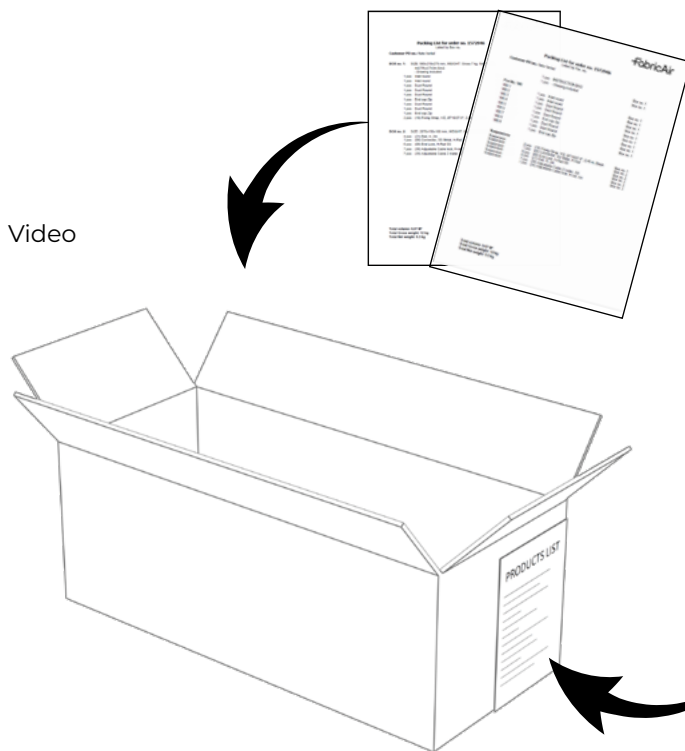
Type 05 suspension is compatible with classic, All-in-One and Internal 360° Hoops ducts.

Type 05 suspension is a rigid single H-Rail suspension with aluminum rod supports connecting the H-Rail to the ceiling structure.

Content

1.0 OPENING PACKAGE	3
1.1 Understanding components table.....	4
1.2 Type 05 suspension components.....	5
2.0 SUSPENSION INSTALLATION	6
2.1 Mounting H-Rail.....	6
2.2 Connecting profiles.....	8
2.3 Connecting additional profiles	8
2.4 Bendings and elbows.....	9
2.5 Detailed suspension installation.....	10
3.0 SHAPE RETAINING HARDWARE	11
3.1 All-in-One	11
3.2 Internal 360° Hoops assembly	12
3.3 Internal 360° Hoops disassembly	13
4.0 INSTALLING THE FABRIC	14
4.1 Connection to sheet metal part with fixing strap.....	14
4.2 Fixing straps.....	14
4.3 Installation of duct on H-Rail	15
4.4 Taut Endcap installation	16

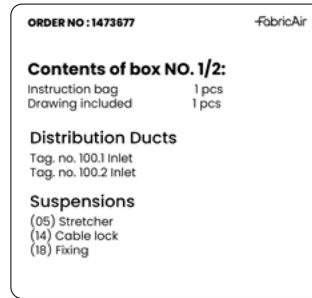
1.0 OPENING PACKAGE



Box 1 includes all project documentation:

- System Drawing(s)
- Installation Guide
- Packing List (by box)
- Packing List (by positions)

Box number and contents list visible on external box label.



FabricAir		
Packing List for order no. 1572946		
Listed by Pos. no.		
Customer PO no.: Nate Verbal		
	1 pcs INSTRUCTION BAG	Box no. 1
	1 pcs - Drawing included	Box no. 1
Pos No. 100		
100.1	1 pcs Inlet round	Box no. 1
100.2	1 pcs Inlet round	Box no. 1
100.3	1 pcs Duct Round	Box no. 1
100.4	1 pcs Duct Round	Box no. 1
100.5	1 pcs Duct Round	Box no. 1
100.6	1 pcs End cap Zip	Box no. 1
100.7	1 pcs Duct Round	Box no. 1
100.8	1 pcs Duct Round	Box no. 1
100.9	1 pcs End cap Zip	Box no. 1
Suspensions		
Suspension	2 pcs (18) Fixing Strap, Y/Z, Ø710/27.9", 2.46 m, Black	Box no. 1
Suspension	1 pcs (06) Connector, SS Metal, H-Rail	Box no. 2
Suspension	6 pcs (08) End Lock, H-Rail SS	Box no. 2
Suspension	4 pcs (21) Rail, H, 2m	Box no. 2
Suspension	7 pcs (38) Adjustable Cable 2 meter, SS	Box no. 2
Suspension	7 pcs (36) Adjustable Cable lock, H-rail, SS	Box no. 2
<p>Total volume: 0.07 M³ Total Gross weight: 12 kg Total Net weight: 9.3 kg</p>		

FabricAir		
Packing List for order no. 1572946		
Listed by Box no.		
Customer PO no.: Nate Verbal		
BOX no. 1:	SIZE: 590x210x275 mm, WEIGHT: Gross 7 kg, Net 5.9 kg.	
INSTRUCTION BAG - Drawing included		
1 pcs	Inlet round	Tag No. 100.1
1 pcs	Inlet round	Tag No. 100.2
1 pcs	Duct Round	Tag No. 100.3
1 pcs	Duct Round	Tag No. 100.4
1 pcs	Duct Round	Tag No. 100.5
1 pcs	End cap Zip	Tag No. 100.6
1 pcs	Duct Round	Tag No. 100.7
1 pcs	Duct Round	Tag No. 100.8
1 pcs	End cap Zip	Tag No. 100.9
2 pcs	(18) Fixing Strap, Y/Z, Ø710/27.9", 2.46 m, Black	Suspension
BOX no. 2:	SIZE: 2070x150x100 mm, WEIGHT: Gross 5 kg, Net 3.45 kg.	
4 pcs	(21) Rail, H, 2m	Suspension
1 pcs	(06) Connector, SS Metal, H-Rail	Suspension
6 pcs	(08) End Lock, H-Rail SS	Suspension
7 pcs	(36) Adjustable Cable lock, H-rail, SS	Suspension
7 pcs	(38) Adjustable Cable 2 meter, SS	Suspension
<p>Total volume: 0.07 M³ Total Gross weight: 12 kg Total Net weight: 9.3 kg</p>		

- There are two packing lists – by box and by position. Each box may contain either suspension components or ducting. Each duct section/component has a Tag number (Tag No. XXX.X). Suspension elements have part ID numbers. Example: (21) H-Rail, 2 m. In this case, (21) is part ID.
- Tag numbers are marked in assembly sequence. Assembly of ducting should start with Tag No. XXX.1 and continue accordingly.

1.1 Understanding components table (located on system drawing)

COMPONENTS								
Tag#	Fabric	Color	Flow model			Suspension		
			Primary	Placement	Secondary	Type	Strap length	Material
350404600025	Combi 70	Black 3004			FabFlow		0	GV
100.1	Combi 70	Black 3004			FabFlow		0	GV
100.2	Combi 70	Black 3004	SonicFlow SonicFlow SonicFlow SonicFlow SonicFlow	2:00 3:00 4:00 5:00 6:00	FabFlow	Type 01 AiO	50 mm [2"]	GV

THE CHART SHOWN ABOVE IS AN EXAMPLE

Tag#: the unique number for that section, this is the identifying/unique number for that section.

Tag 3504...##..25: this part is the FabricAir flow straightener that helps manage turbulence and can be zipped into any joint.

Fabric: the fabric selected for this project.

Color: the color selected (standard meaning to select from the standard color chart for that fabric).

Flow model primary: primary dispersion method.

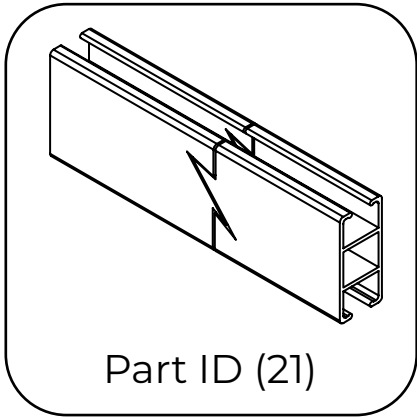
Placement: position of the holes; direction of airflow based on looking in the direction of airflow with the air hitting you from behind.

Flow model secondary: FabFlow for permeable fabrics.

Suspension type: the suspension model selected for the project.

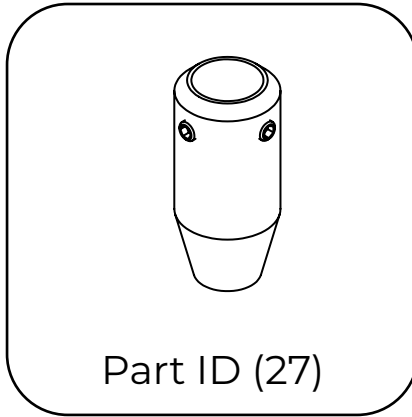
Strap length: the length of the strap from the top of the duct to the suspension.

1.2 Type 05 suspension components (located on packing lists)



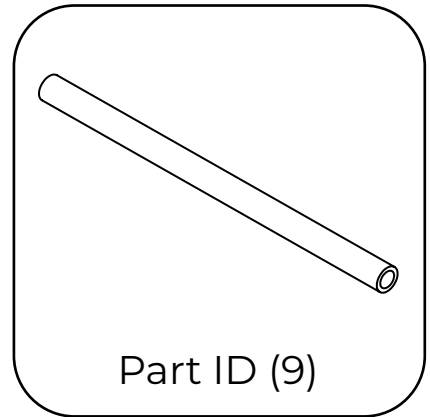
Part ID (21)

H-Rail profile



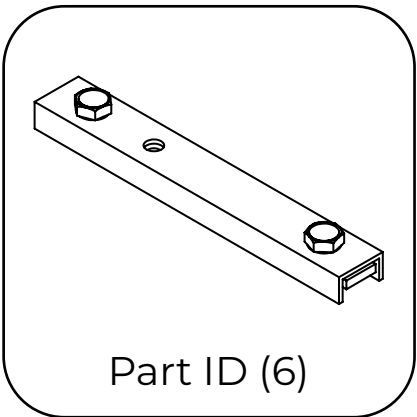
Part ID (27)

Rod end connector



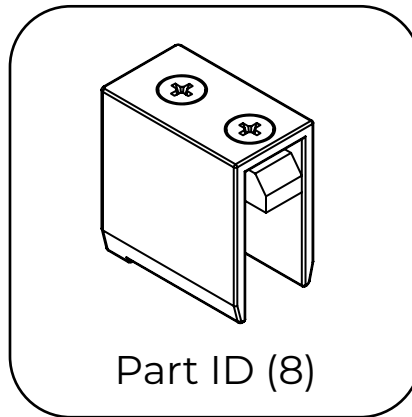
Part ID (9)

Rod



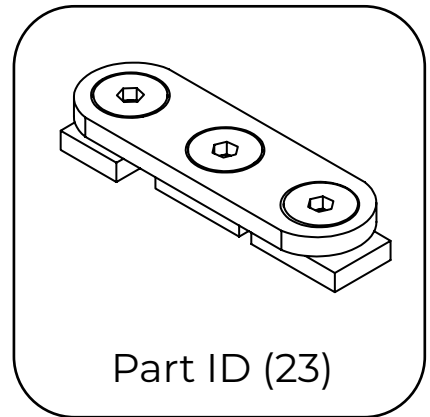
Part ID (6)

H-Rail connector



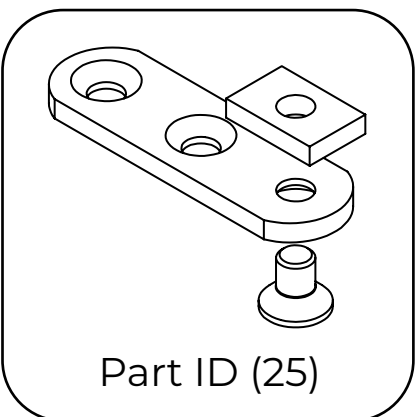
Part ID (8)

H-Rail endcap



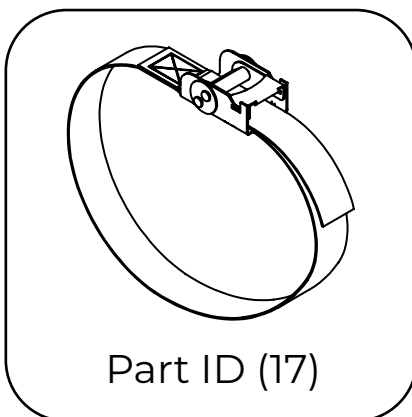
Part ID (23)

H-Rail tee connector



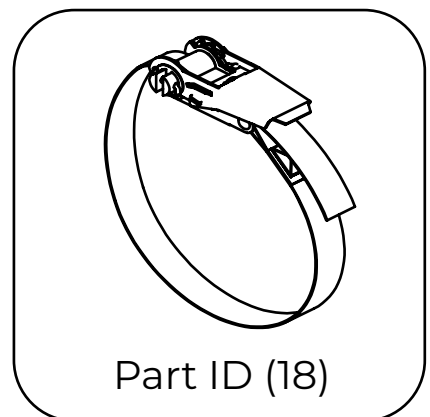
Part ID (25)

H-Rail ceiling
connector



Part ID (17)

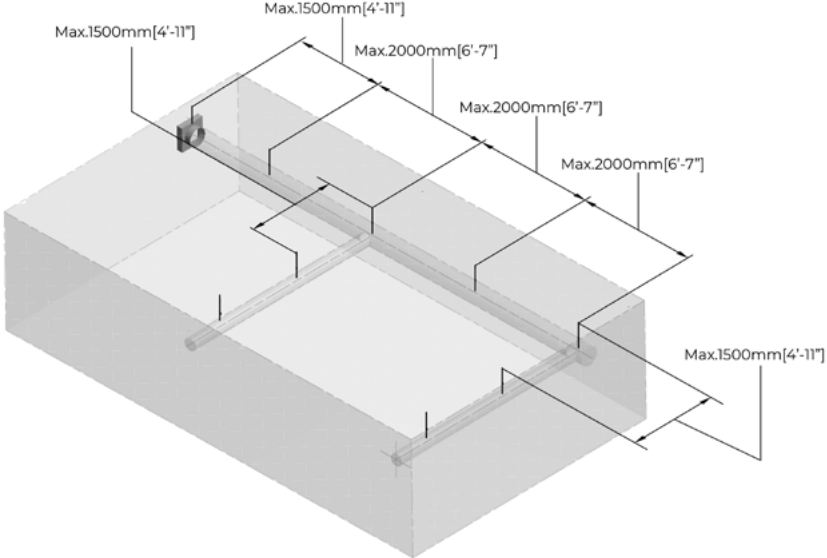
Fixing strap for duct
 $\varnothing < 508$ mm [20"]



Part ID (18)

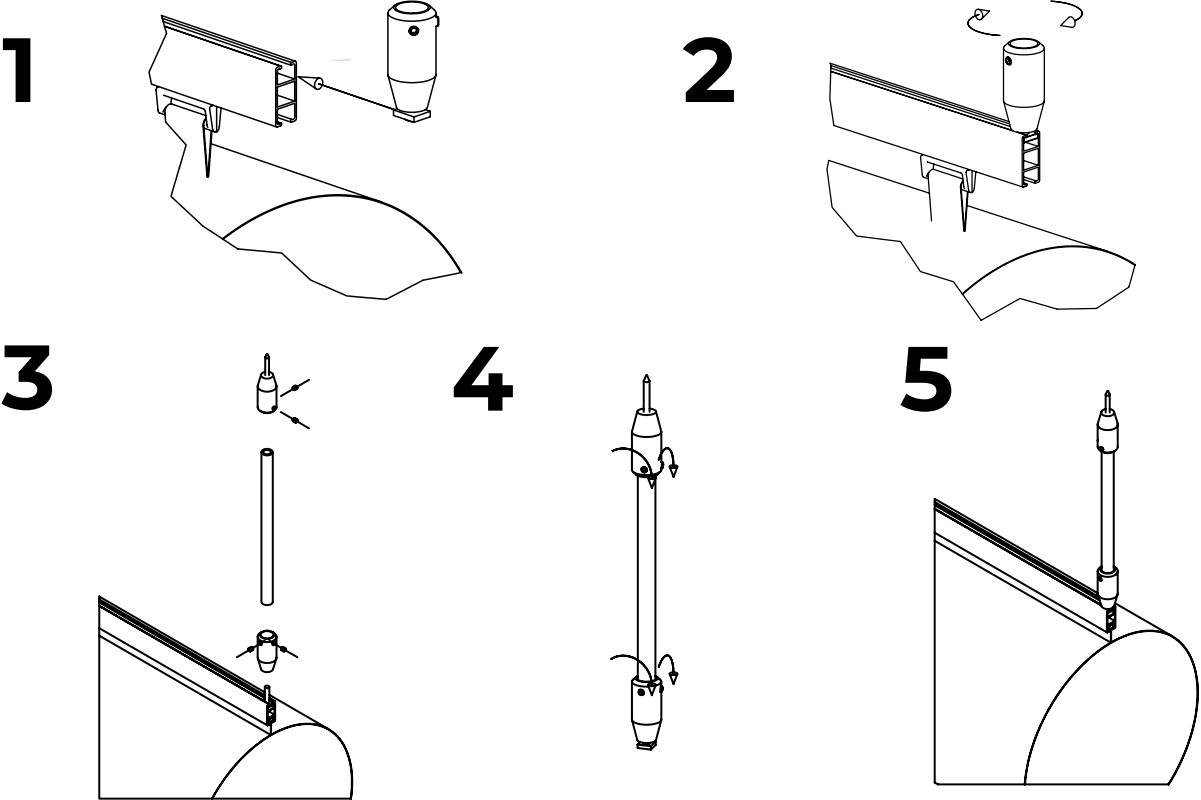
Fixing strap for duct
 $\varnothing > 508$ mm [20"]

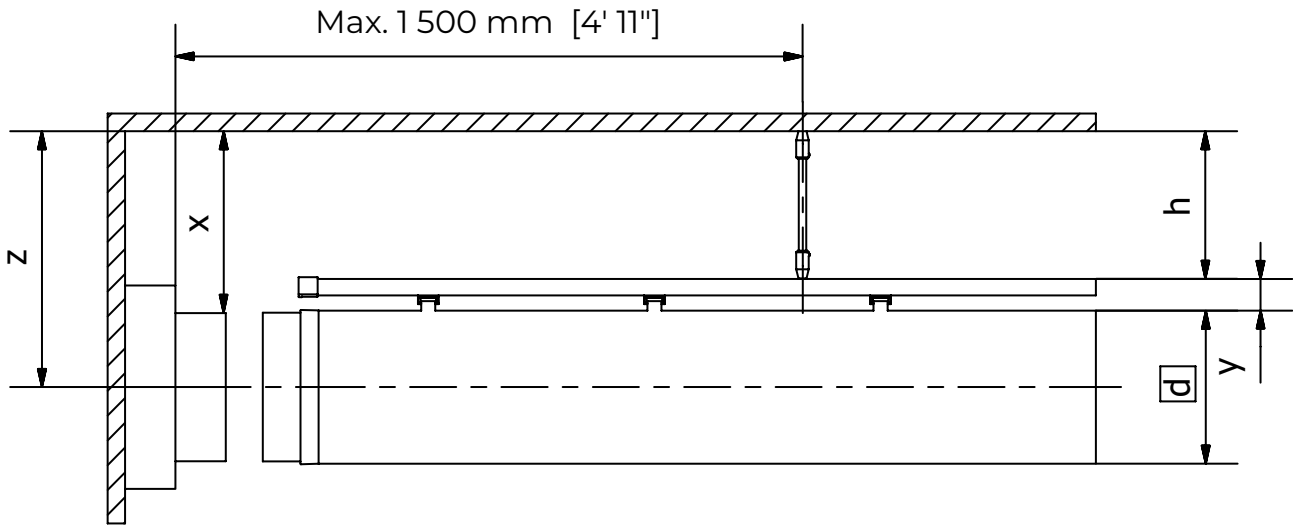
2.0 SUSPENSION INSTALLATION



Video

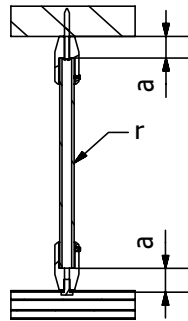
2.1 Mounting H-Rail





Rods are fastened to each connector using set screws (3 mm hex key).

Aluminum rods must be cut to length on-site by the contractor/installer.



$$r = h - 2a$$

$$h = x - y$$

$$x = z - 1/2 d$$

$$a = 22 \text{ mm}$$

$$Y \text{ classic} = 63 \text{ mm [2.5"]}$$

$$Y \text{ all-in-one} = 83 \text{ mm [3.25"]}$$

Strap lengths may be extended on Type 05 suspension, as needed to allow ducts to hang more than 50 mm [2"] below ceiling.

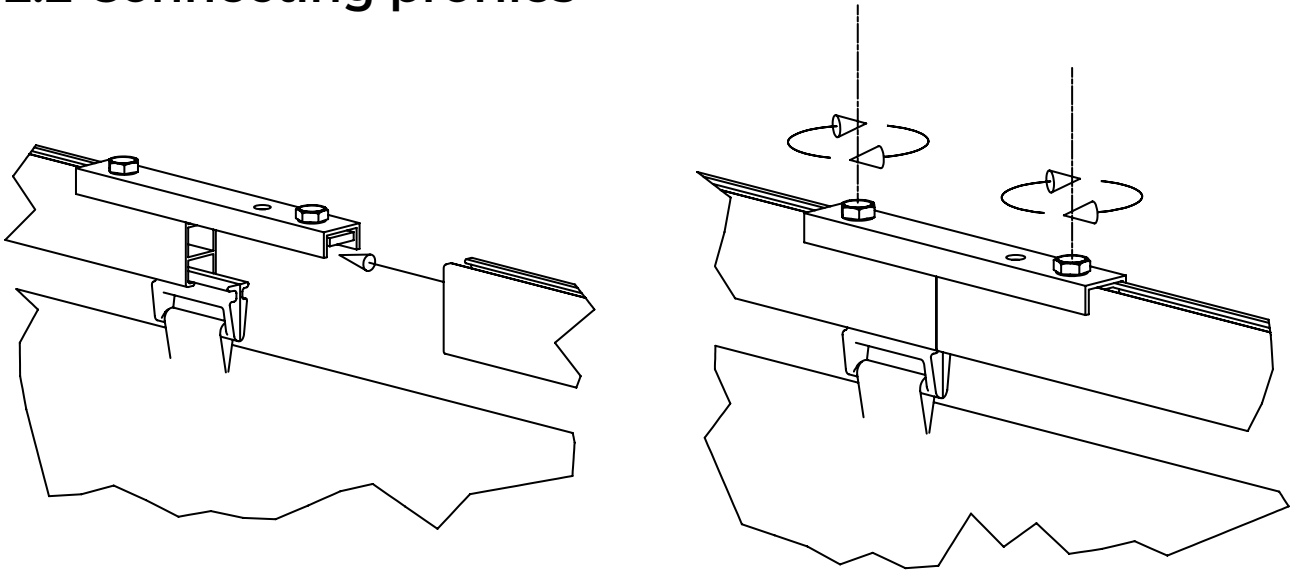
NOTE! Hardware quantities for vertical hangers are calculated based on 2 m [6'-7"] spacing. Installer must request additional hardware if vertical anchor spacing is to be less than 2 m [6'-7"].

Standard strap length for the 3 possible options:

classic: S = 30 mm [1.2"] minimum length;

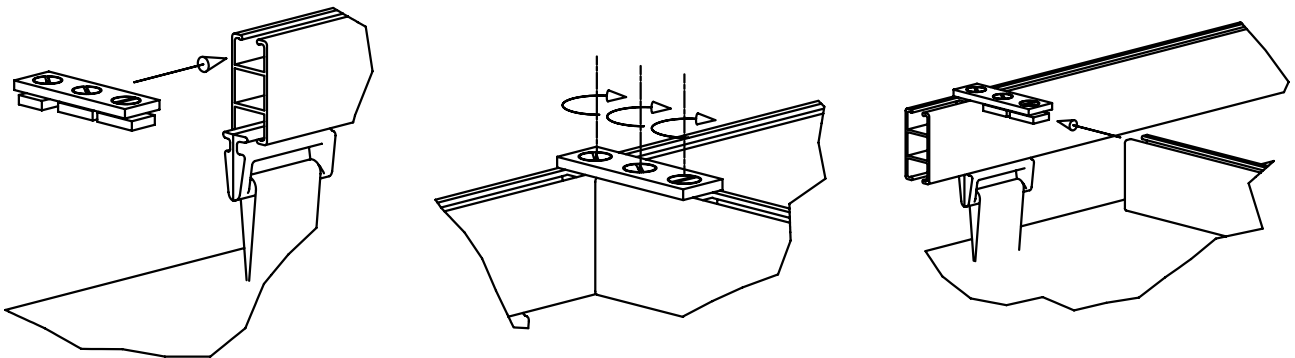
All-in-One / Internal 360° Hoops: S = 50 mm [2"] minimum length.

2.2 Connecting profiles



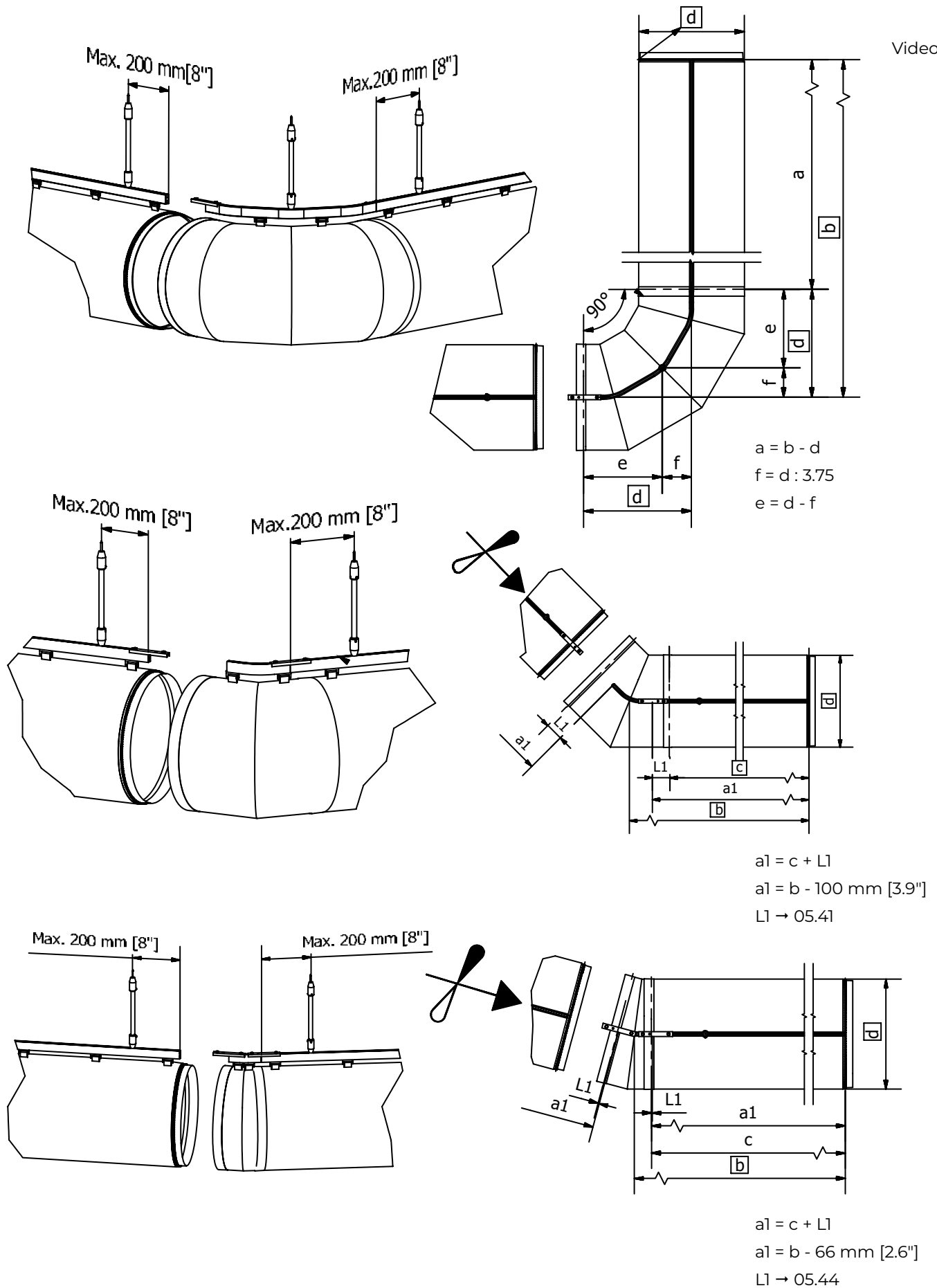
- H-Rail pieces are joined together using a metal connector.
- Duct will have sliders to slide into H-Rail at appropriate locations.
- Systems with elbows are provided with factory-bent H-Rail sections, to match the exact angle necessary for supporting the elbow.

2.3 Connecting additional profiles



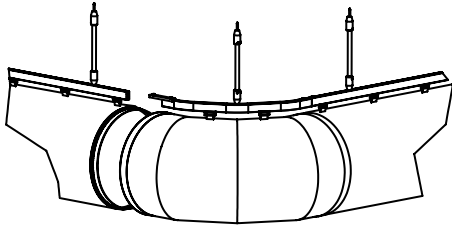
2.4 Bendings and elbows

Video



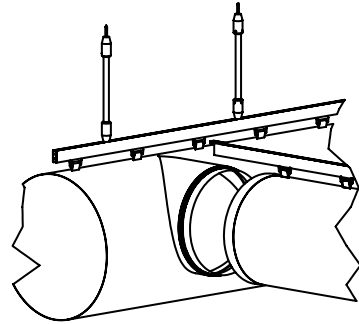
2.5 Suspension installation details

Use QR code for more detailed information for each type.



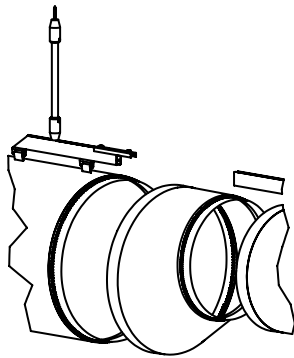
Bendings and elbows
All degrees and sizes

Drawings



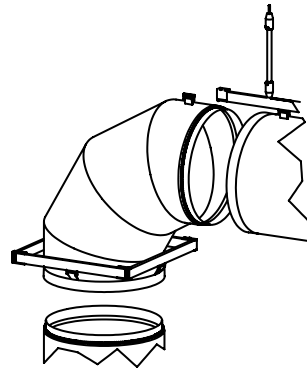
Branches
Top/center/bottom aligned

Drawings



Reductions
Top/center/bottom aligned

Drawings



**Vertical duct
suspension methods**

Drawings

3.0 SHAPE RETAINING HARDWARE

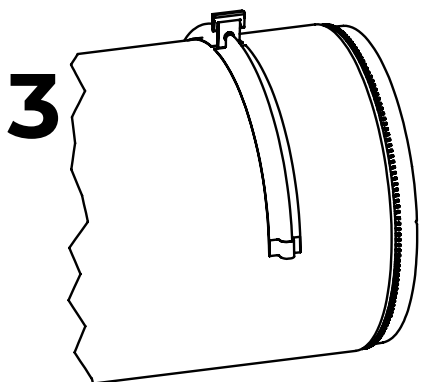
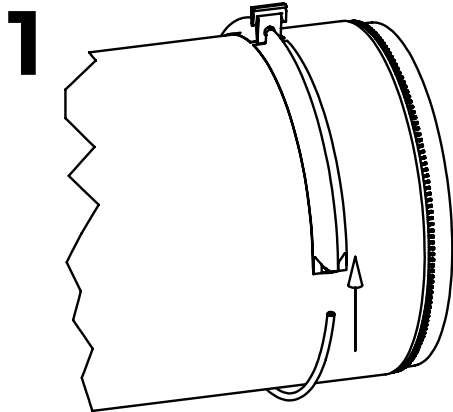
Shape retention solution for Type 05 suspension.

Standard All-in-One strap length = 50 mm [2"].

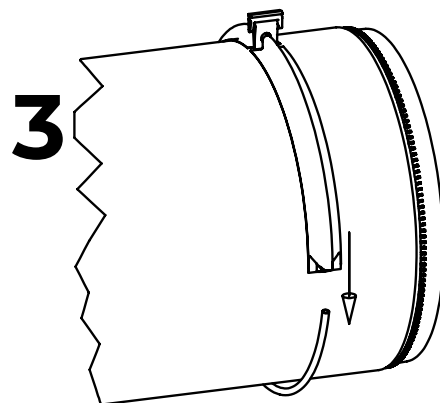
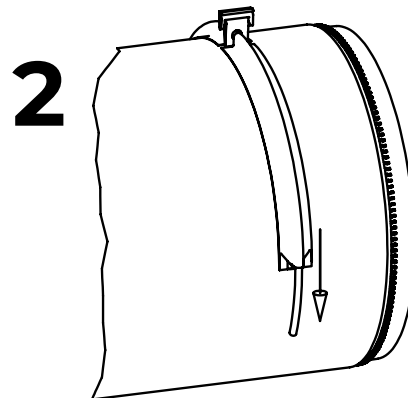
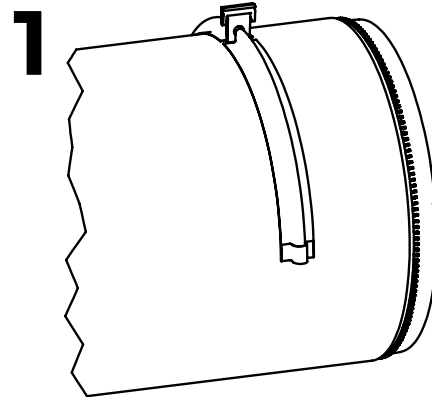
Comes pre-installed from the factory.

3.1 All-in-One

Assembly



Disassembly



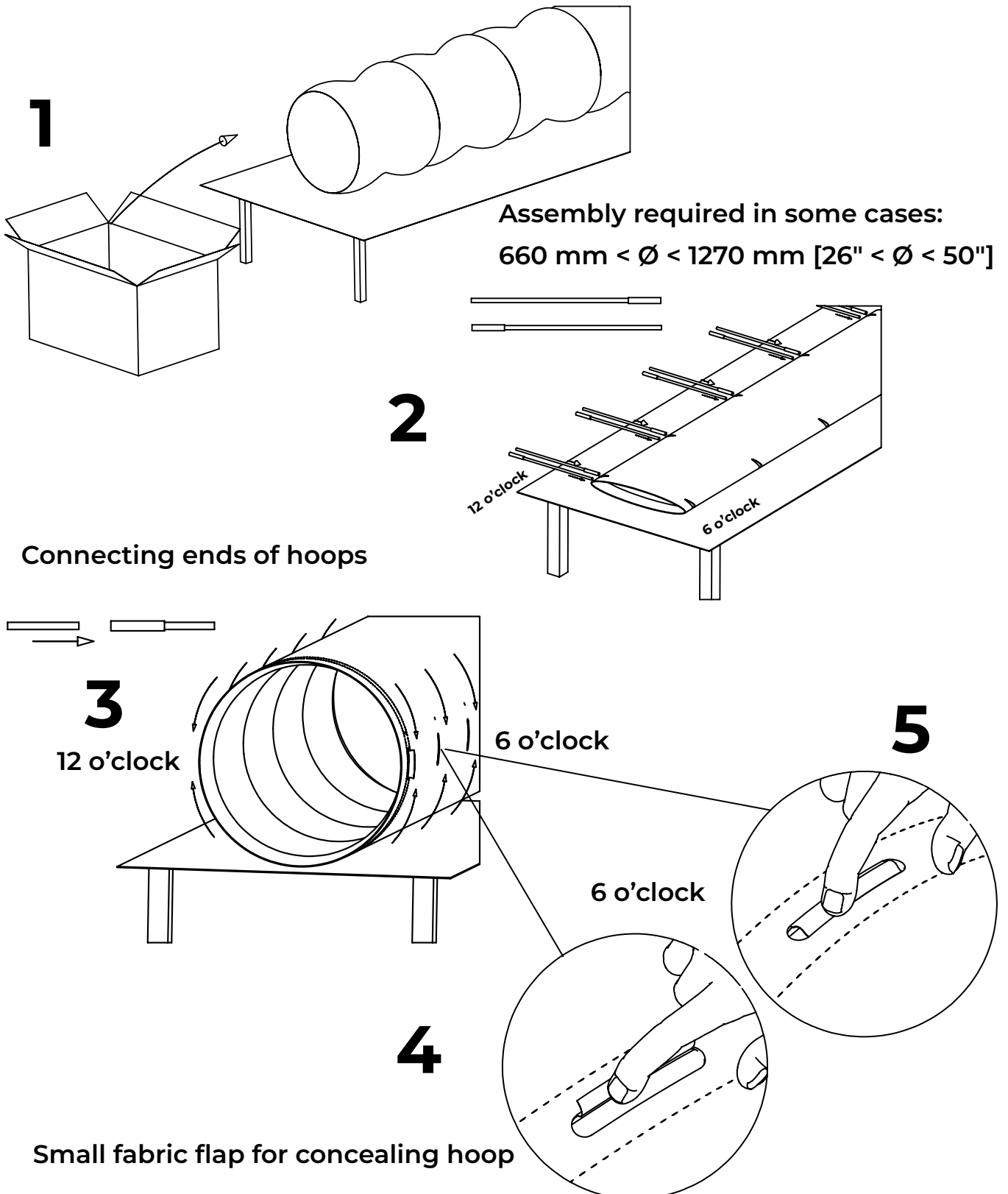
Video

3.2 360° Internal hoops assembly

Optional shape retention solution for Type 05 suspension.

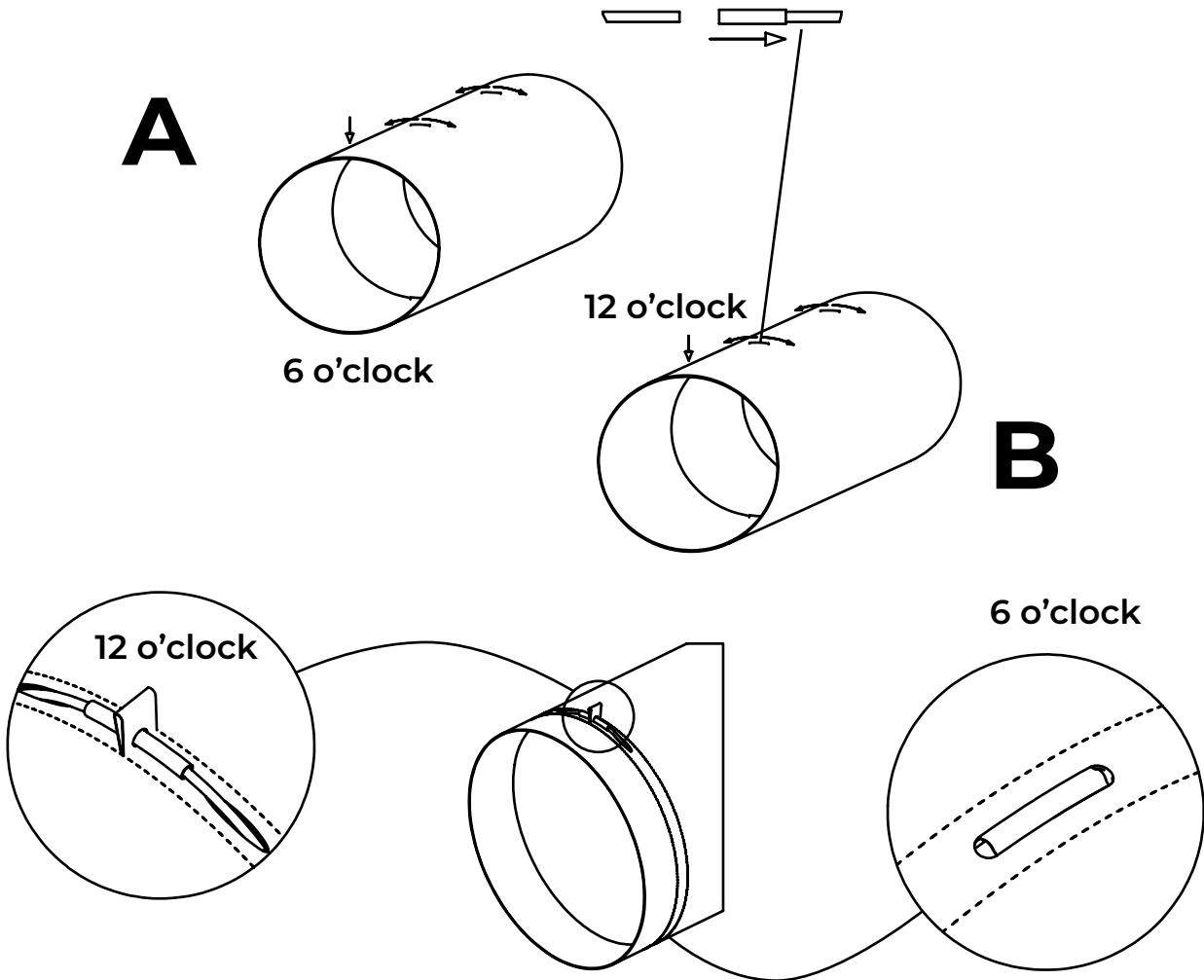
Standard 360° Internal Hoops strap length = 50 mm [2"].

Arrives from the factory: $\varnothing \leq 660$ mm [26"]



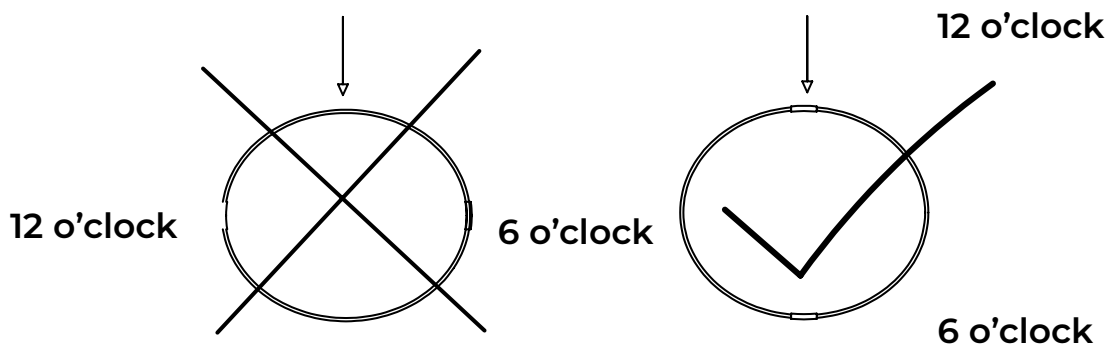
3.3 360° Internal Hoops disassembly

To remove the internal hoops, ensure that the connectors are arranged at 6 and 12 o'clock. Rotate the duct to access the hoop through the slotted access hole at 6 o'clock. Press down to flatten the connection point and slide rod out of metal sleeve. Rotate duct to access 12 o'clock access slot and repeat to remove.



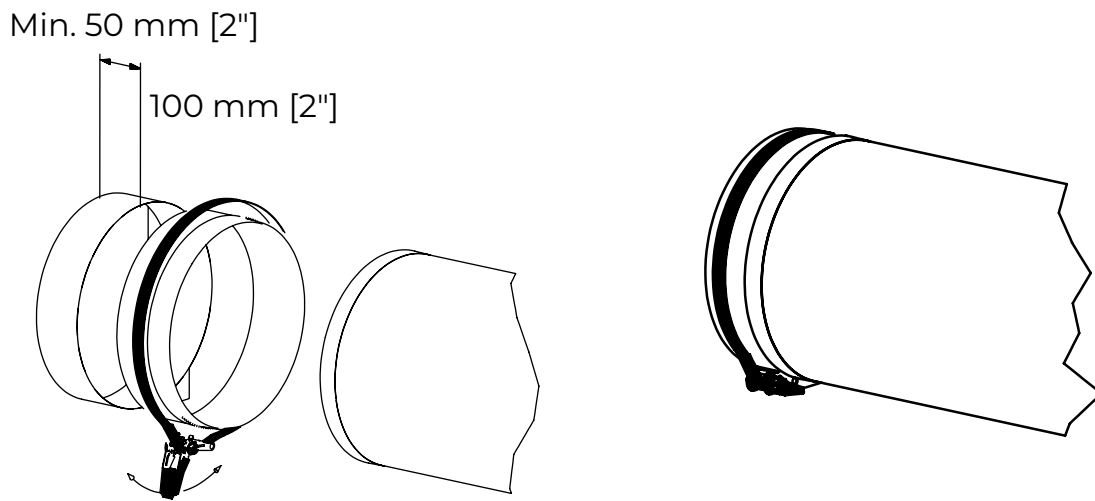
Deform circle to remove hoop.

While dismanteling hoops, keep hoop connector at the 12 o'clock.



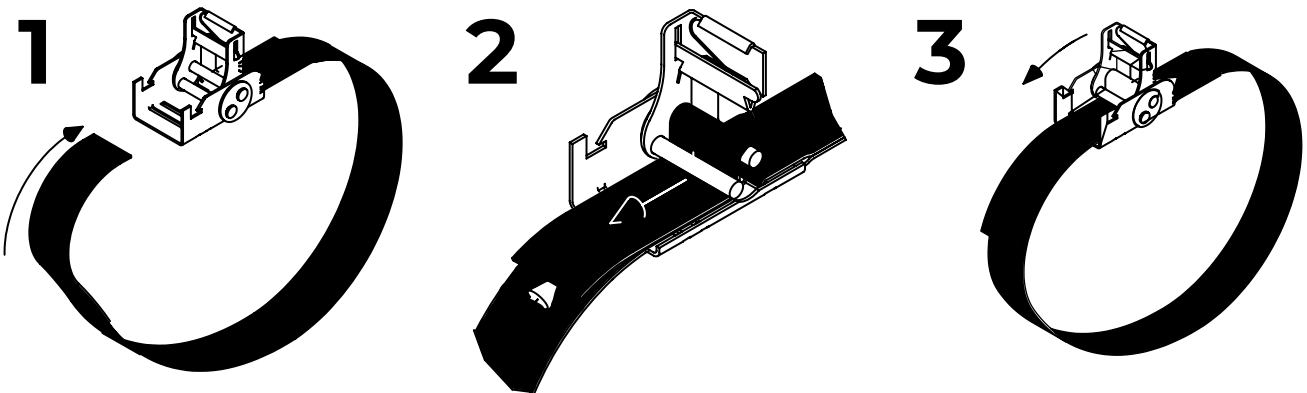
4.0 INSTALLING THE FABRIC

4.1 Connection to sheet metal part with fixing strap

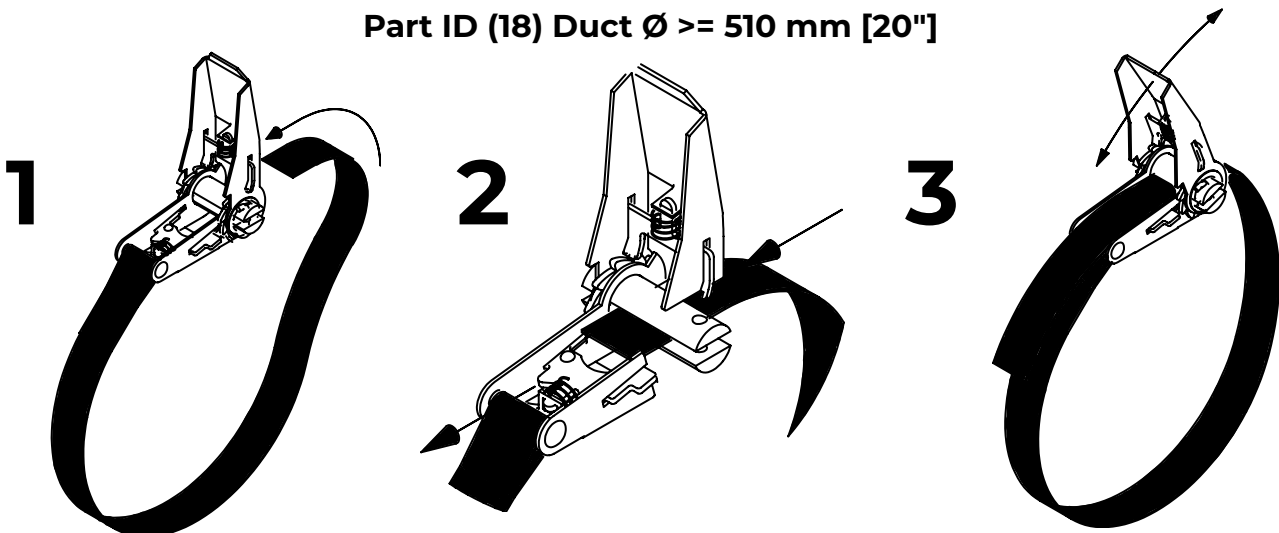


4.2 Fixing straps

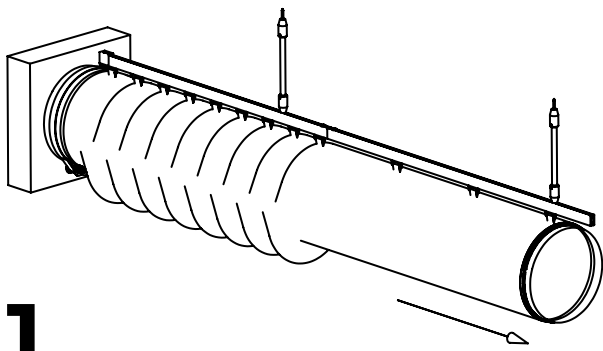
Part ID (17) Duct $\varnothing < 510$ mm [20"]



Part ID (18) Duct $\varnothing \geq 510$ mm [20"]



4.3 Installation of duct on H-Rail



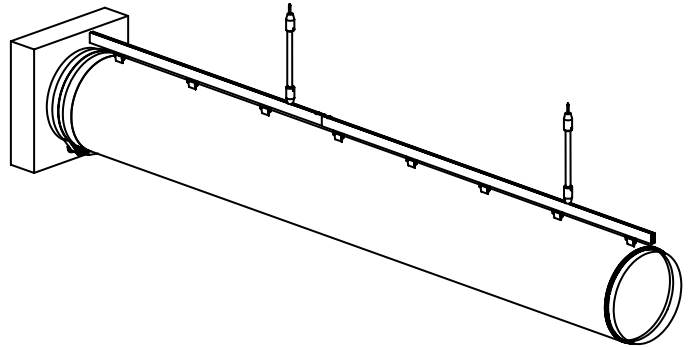
1

Hang ducting first

2

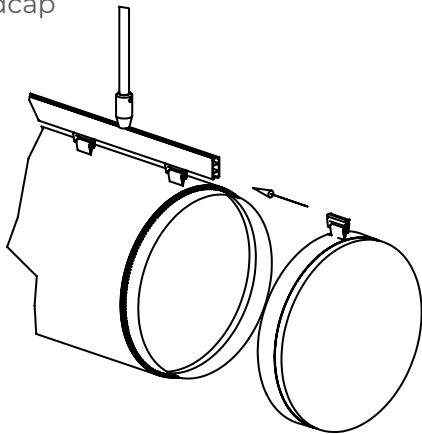
Stretch the duct

Video



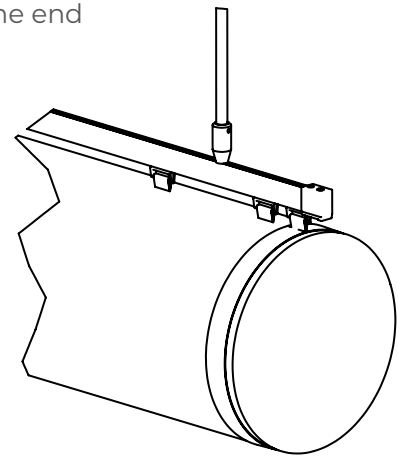
3

Attach endcap



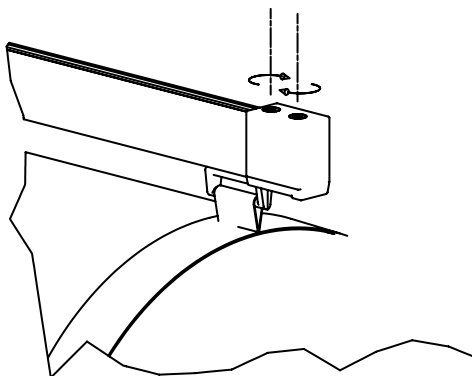
4

Attach endcap to the end of the duct. Zip it



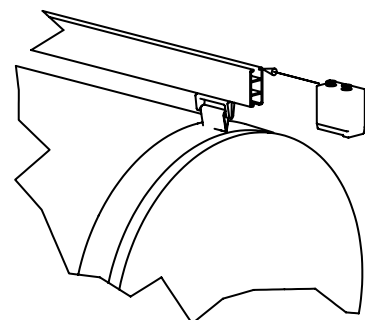
5

Secure duct by inserting H-Rail endcap



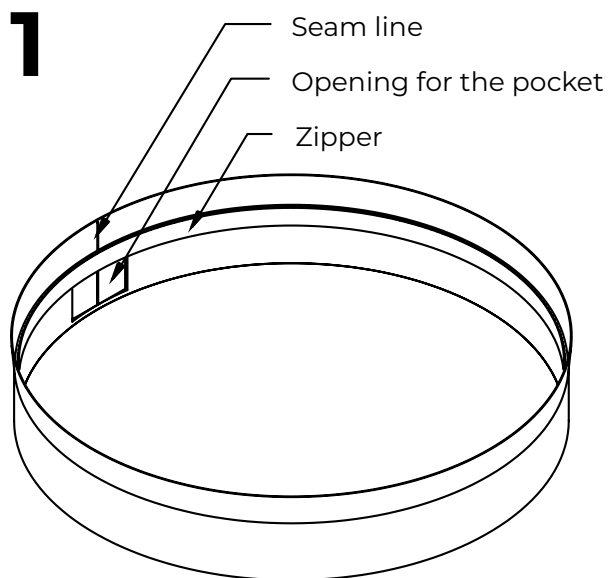
6

Secure H-Rail endcap

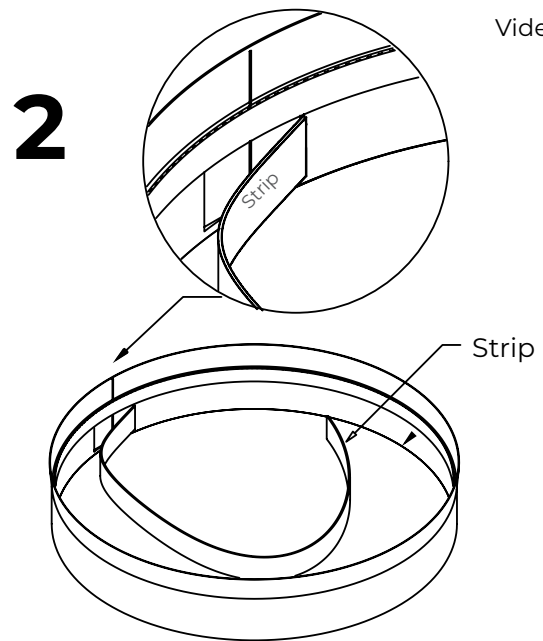


4.4 Taut Endcap installation

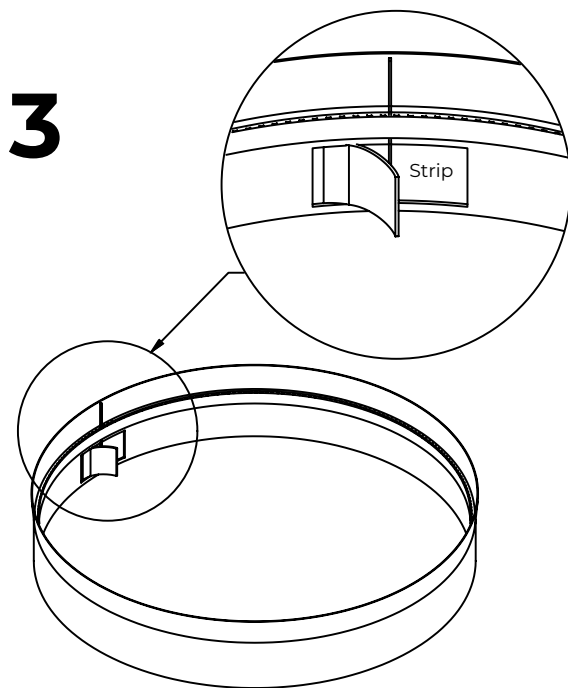
Video



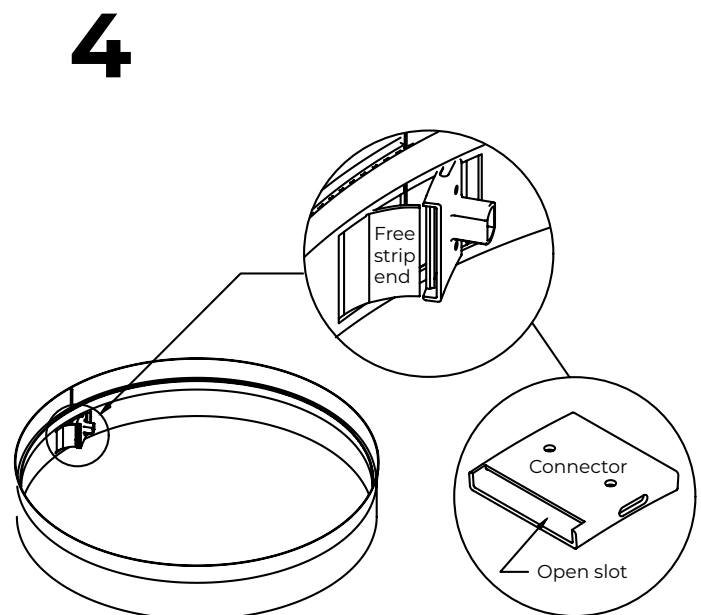
Lay the end cap flat on a clean surface



Insert the strip in the pocket all around the endcap

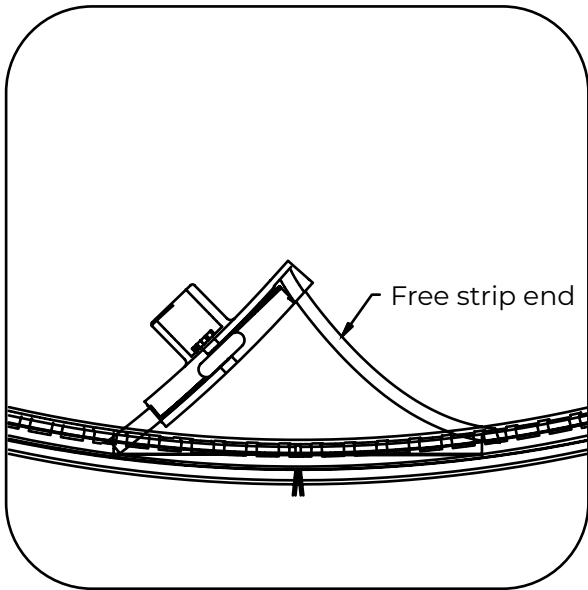


Align one end of the strip with the seam line

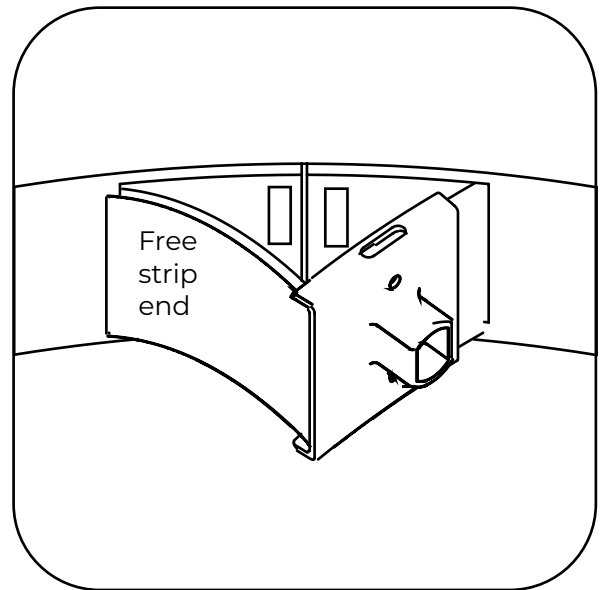


Put connector on the aligned strip end with the open slot towards the free strip end

5

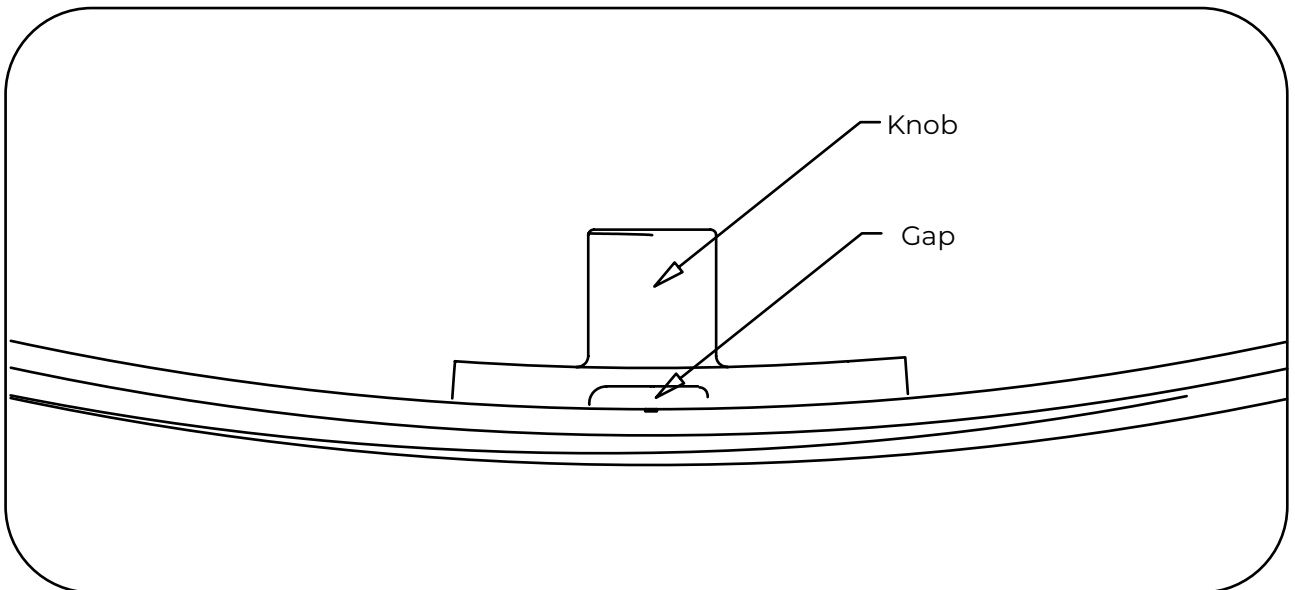


Place the free strip end in the open slot



Hold the connector and the free strip end together and push until both strip ends are aligned

6



Using the knob, slide the connector and make sure the gap between both strip ends is in the center of the connector



fabricair.com/contacts/

All rights reserved to FabricAir®, 2023.
The latest version can be downloaded from fabricair.com
Version: 230809