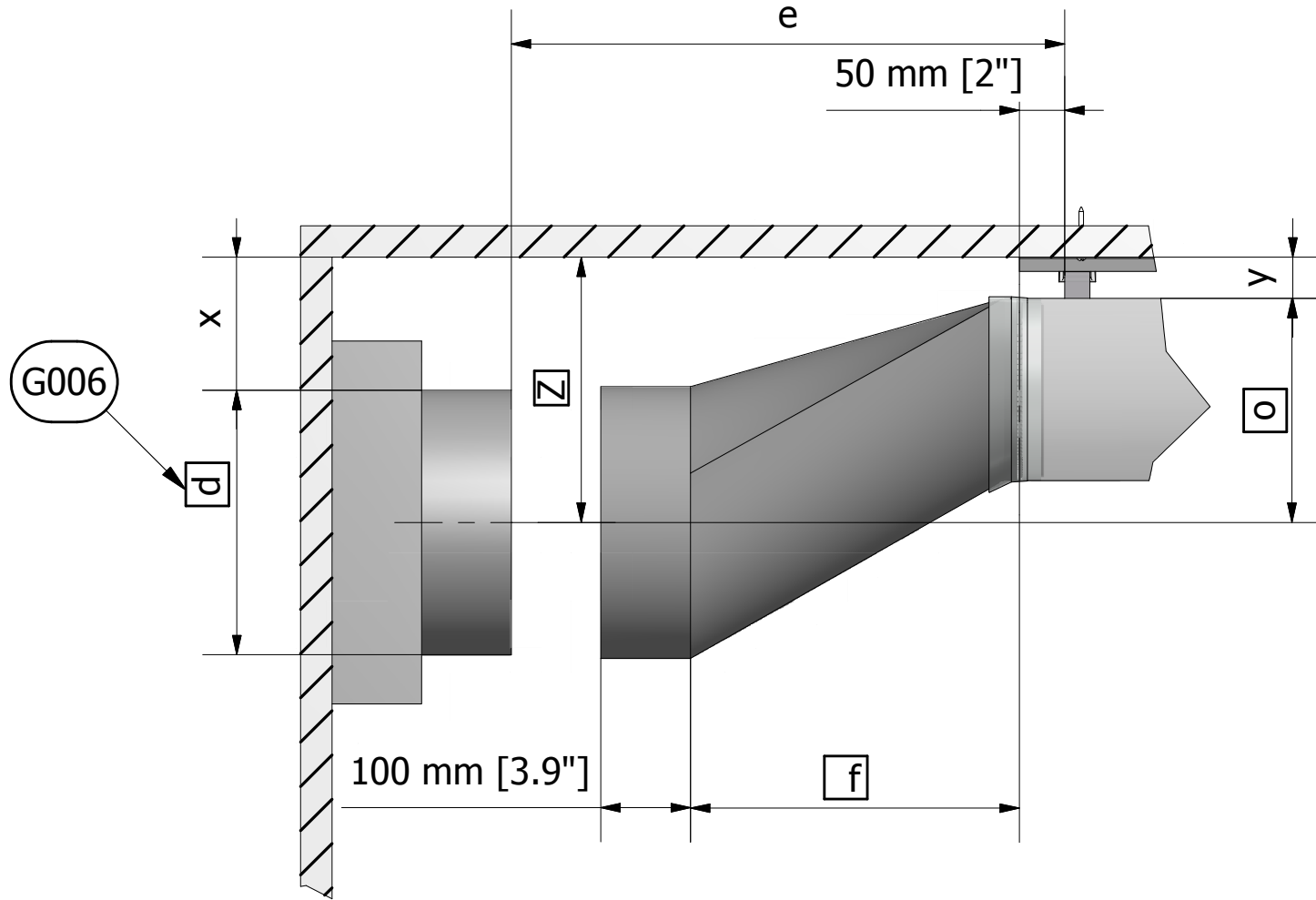


12.01B

Type 12
FabricAir® Installation Drawing
2003-1201B-000 (2017-JAN)



$$y = 30 \text{ mm [1.18"]}$$

$$e = f + 50 \text{ mm [2"]}$$

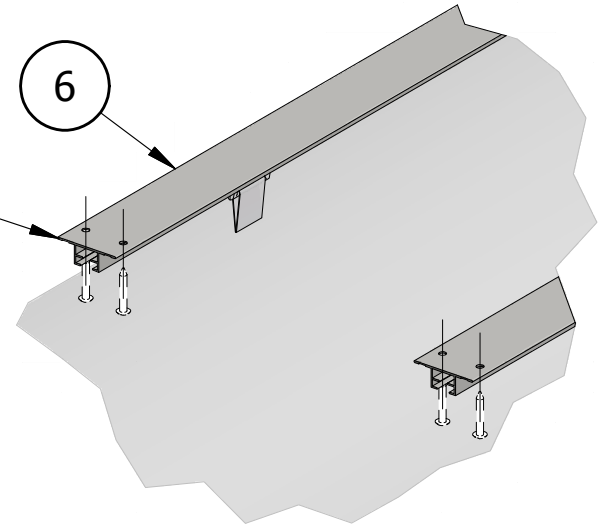
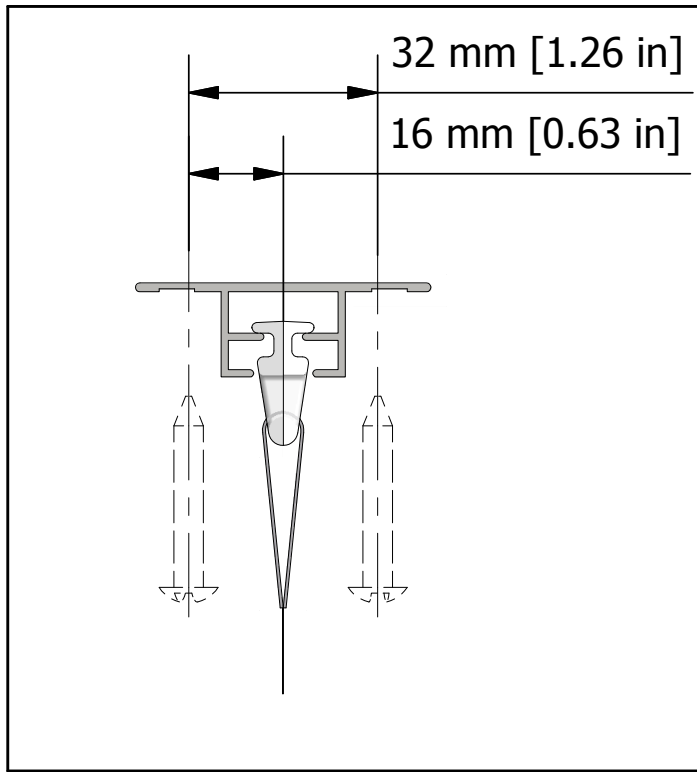
$$\boxed{Z} = x + \frac{1}{2}\boxed{d}$$

$$Z = o + y$$

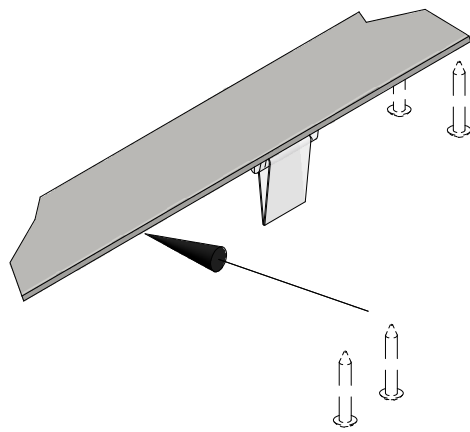
$$Z = \text{OFFSET}$$

12.02

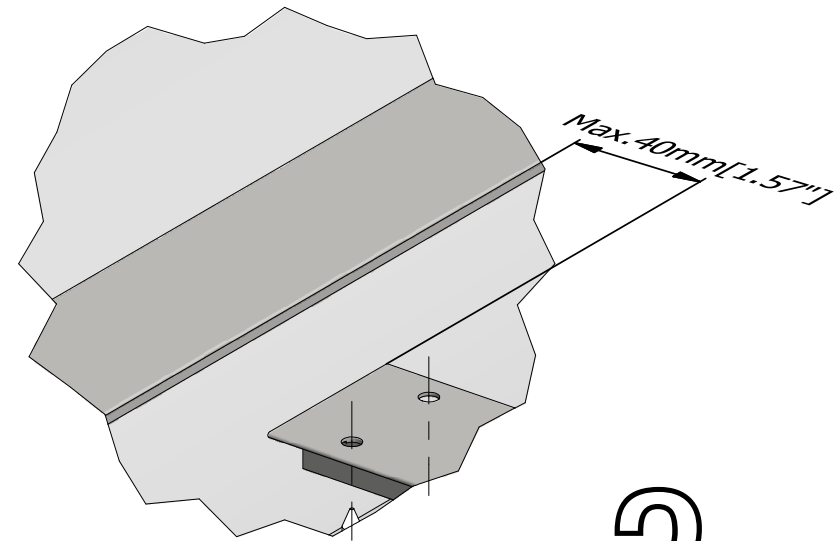
Type 12
FabricAir® Installation Drawing
2003-1202-000 (2017-JAN)



1

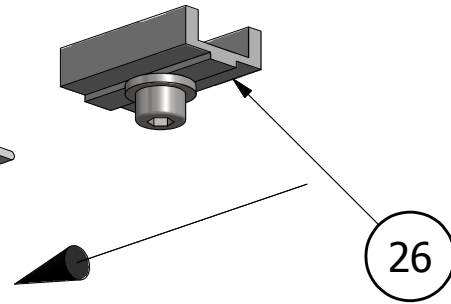
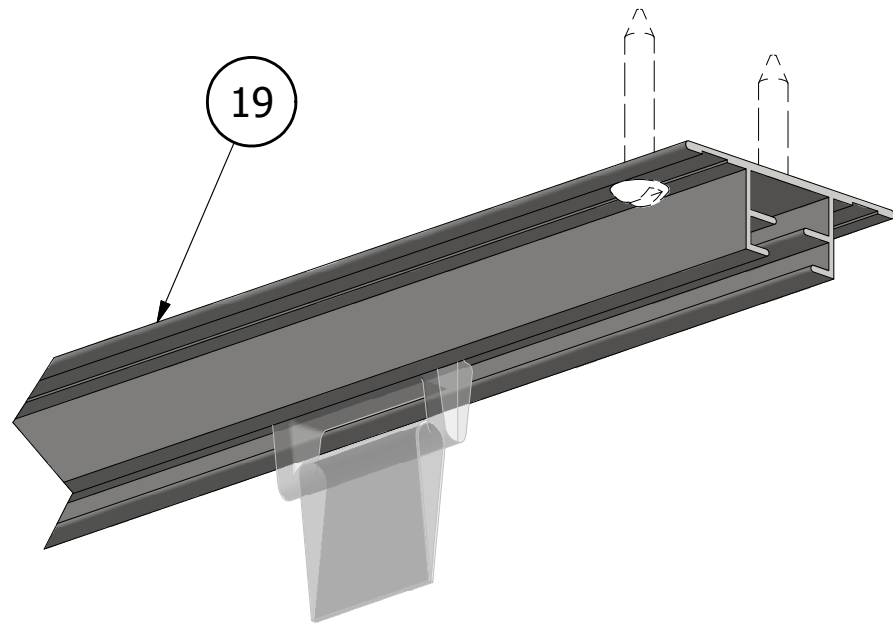


2

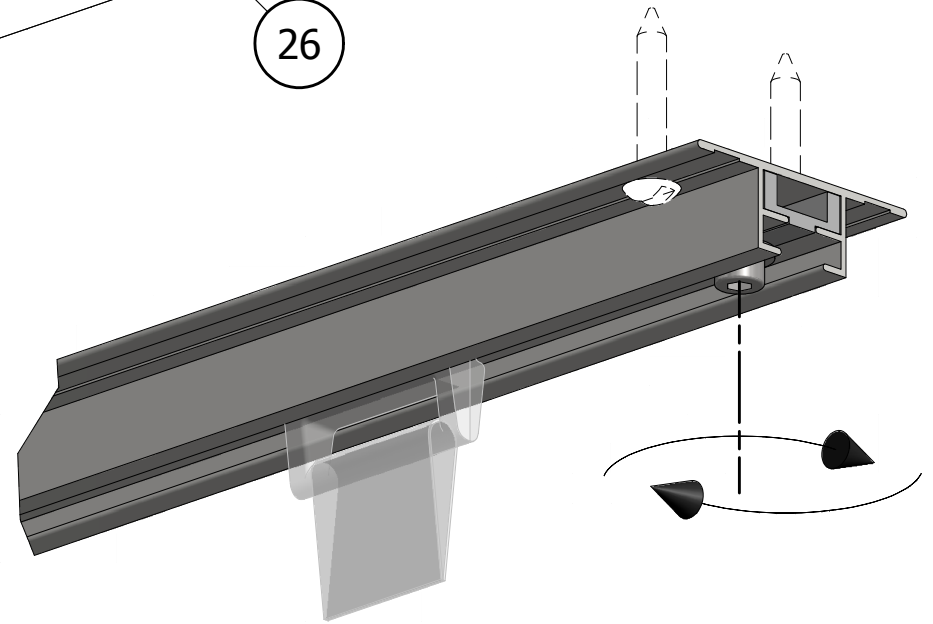


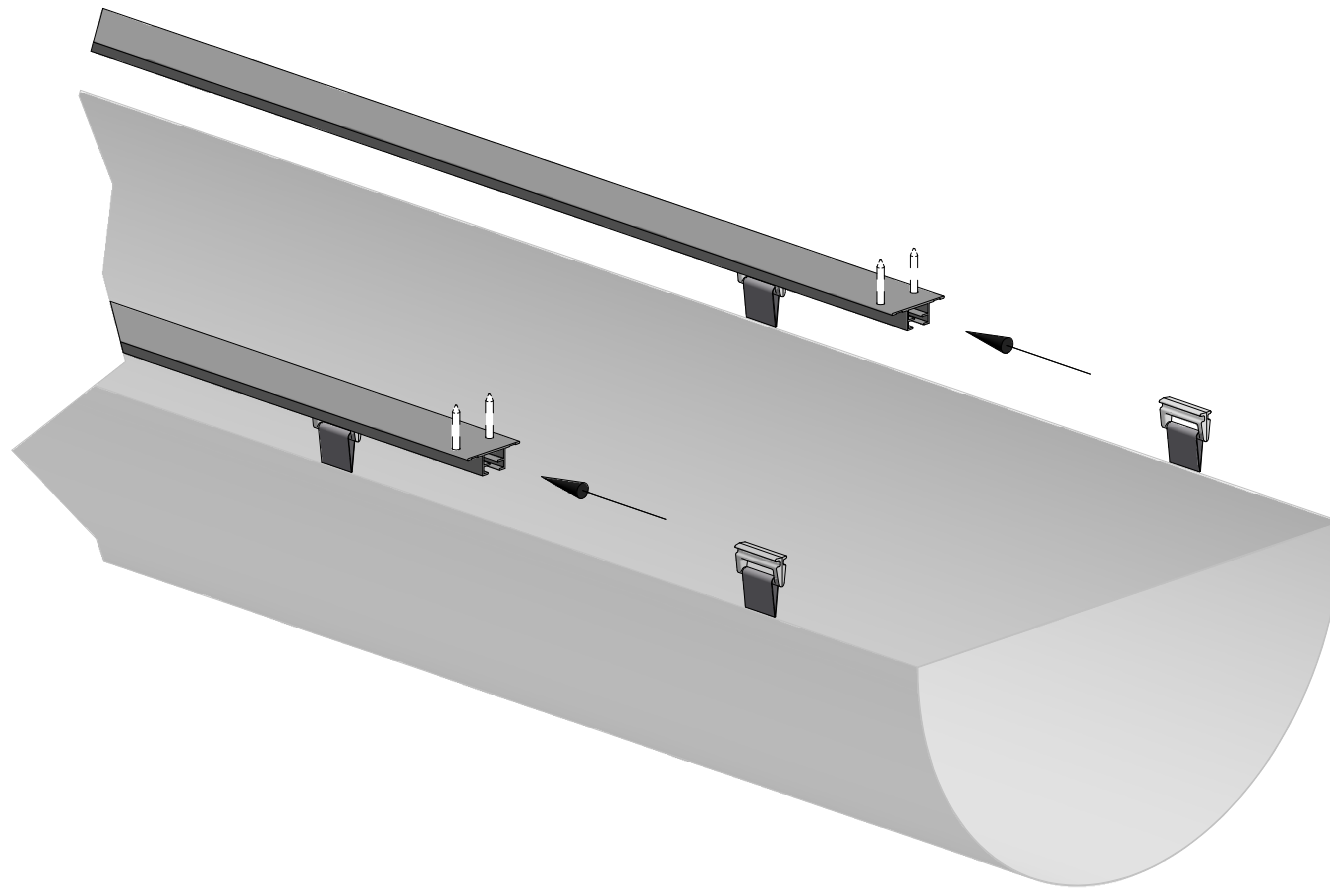
3

1

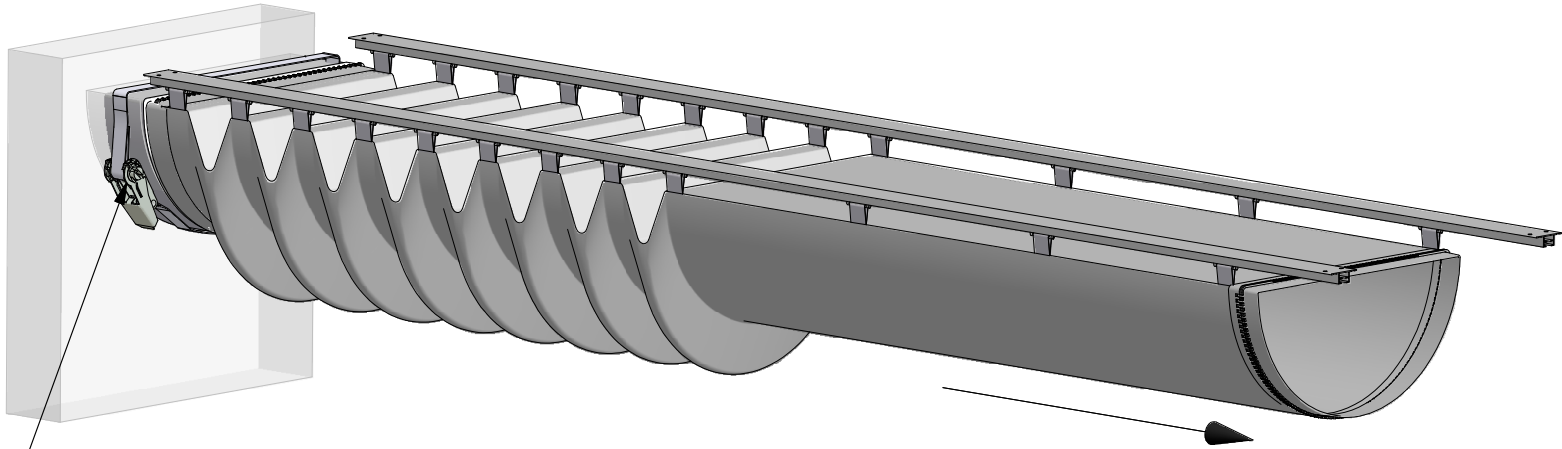


2



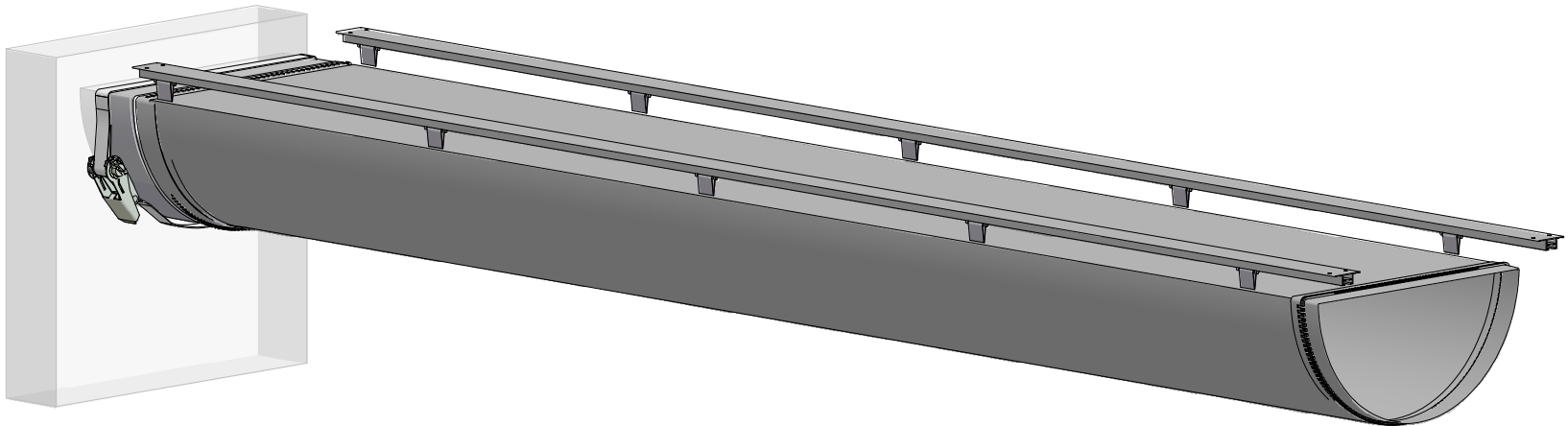


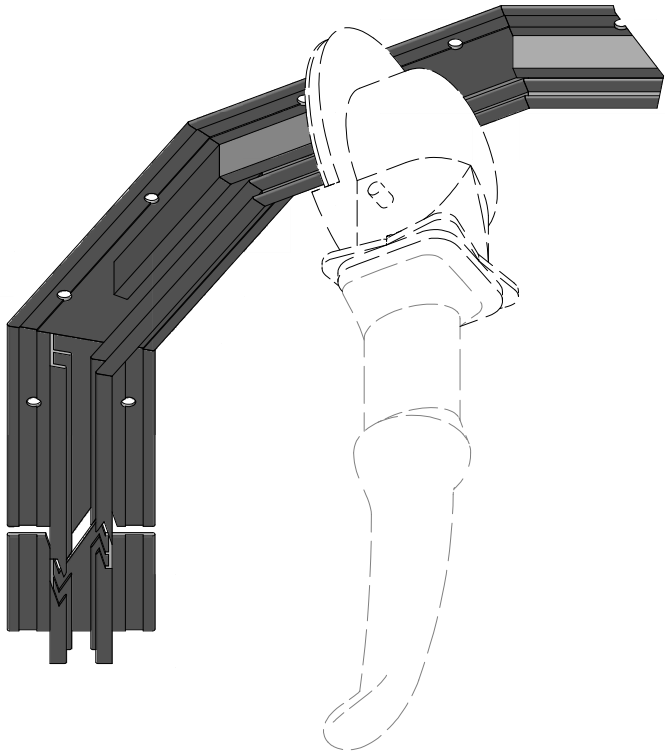
1



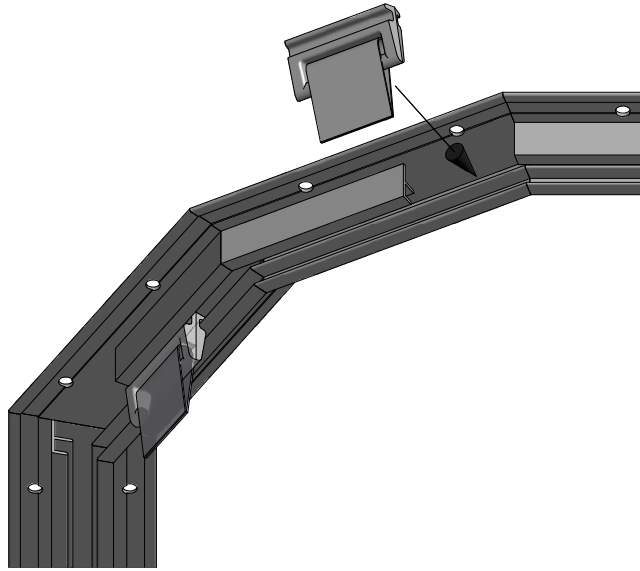
G010-G011

2

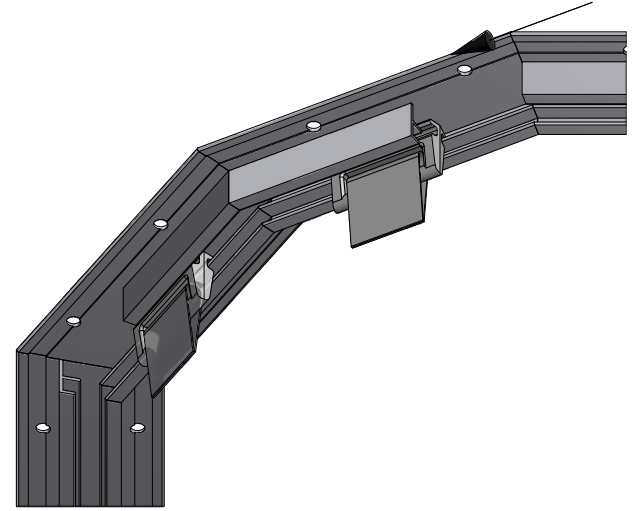




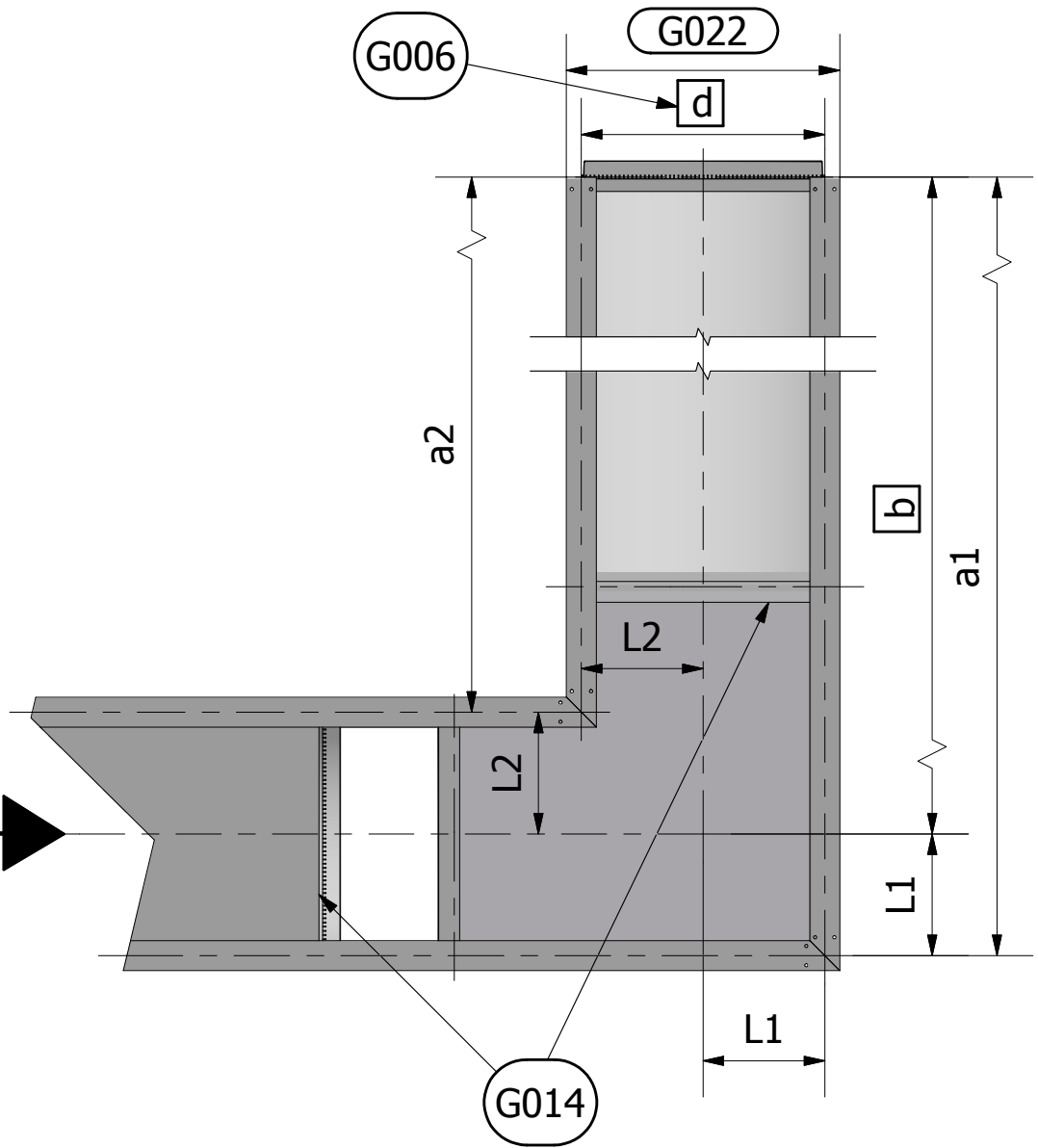
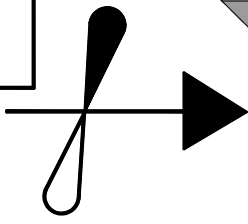
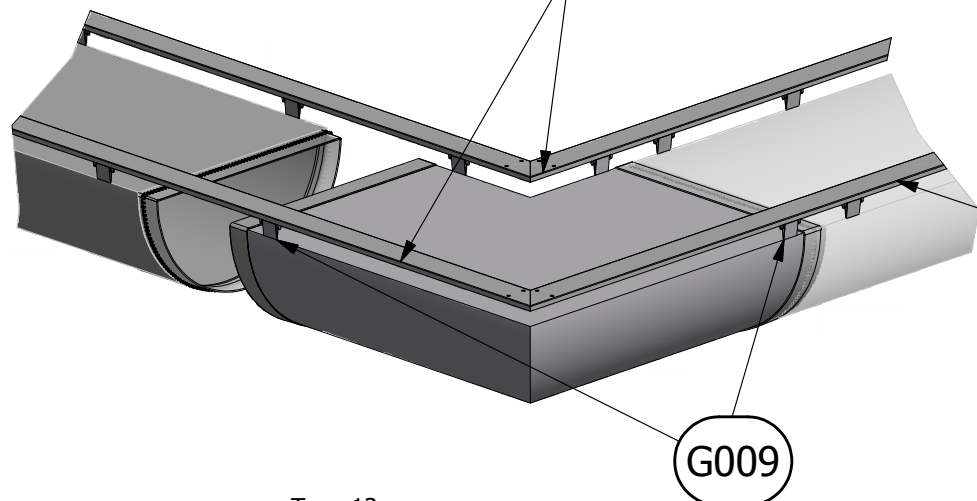
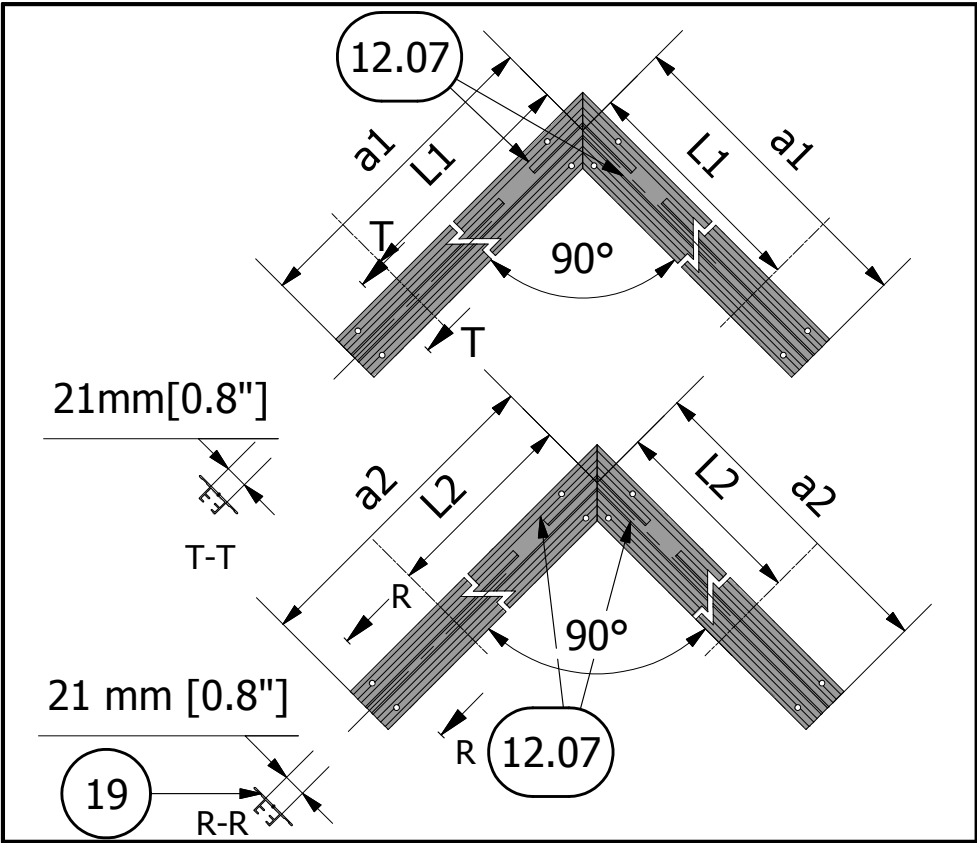
1



2



3

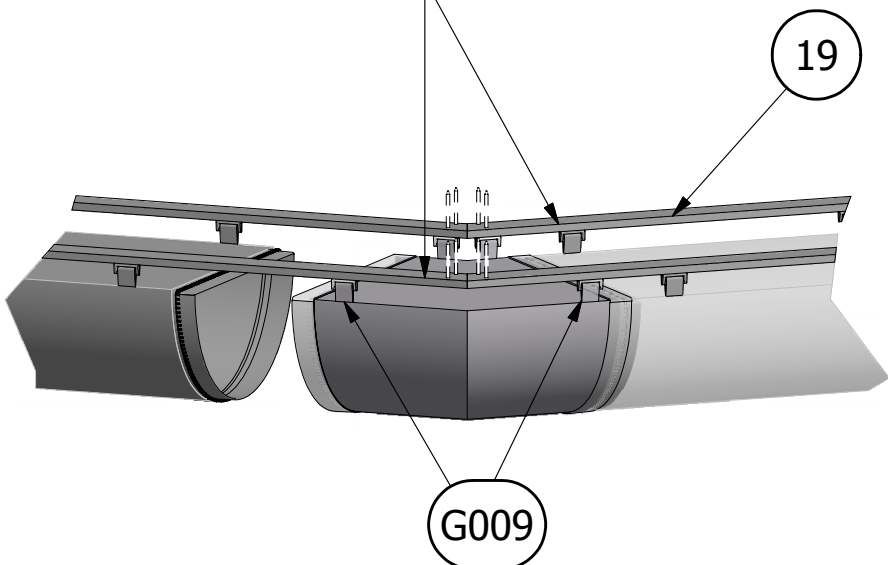
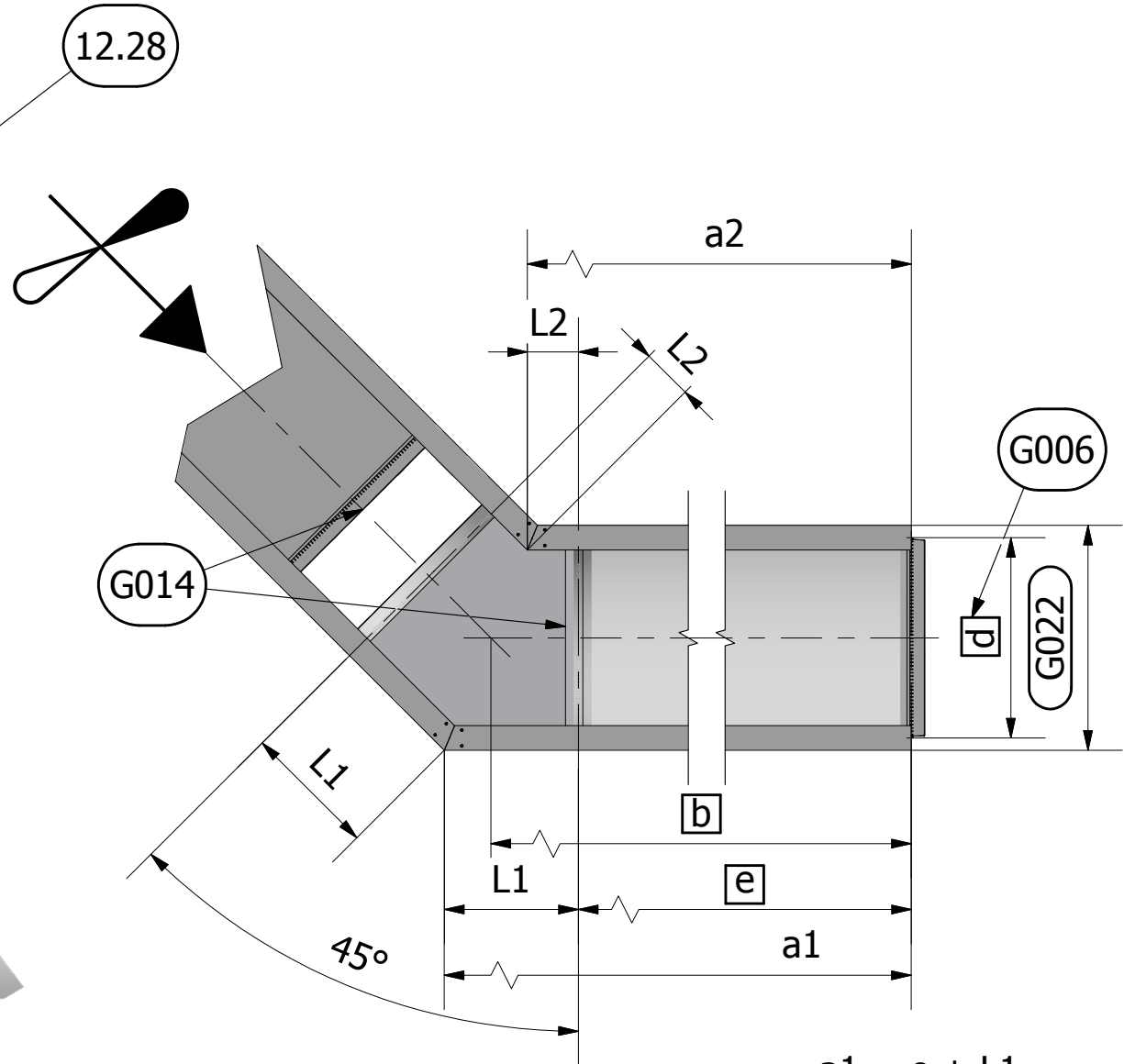
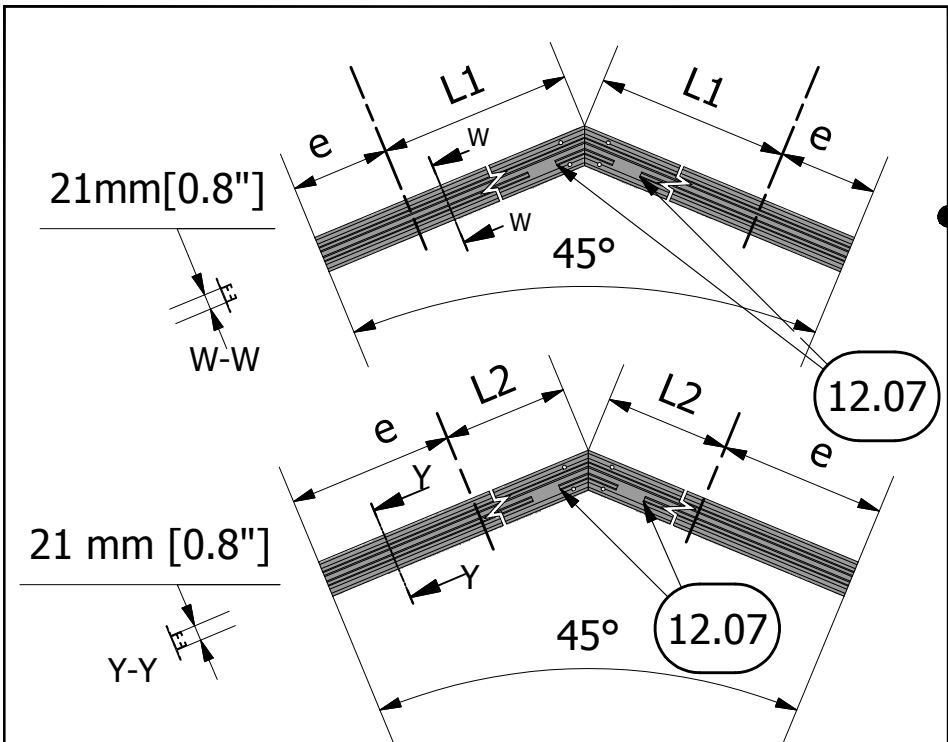


$$a1 = b + L1$$

$$a2 = b - L2$$

$$L1 = \frac{1}{2} d$$

$$L1 = L2$$



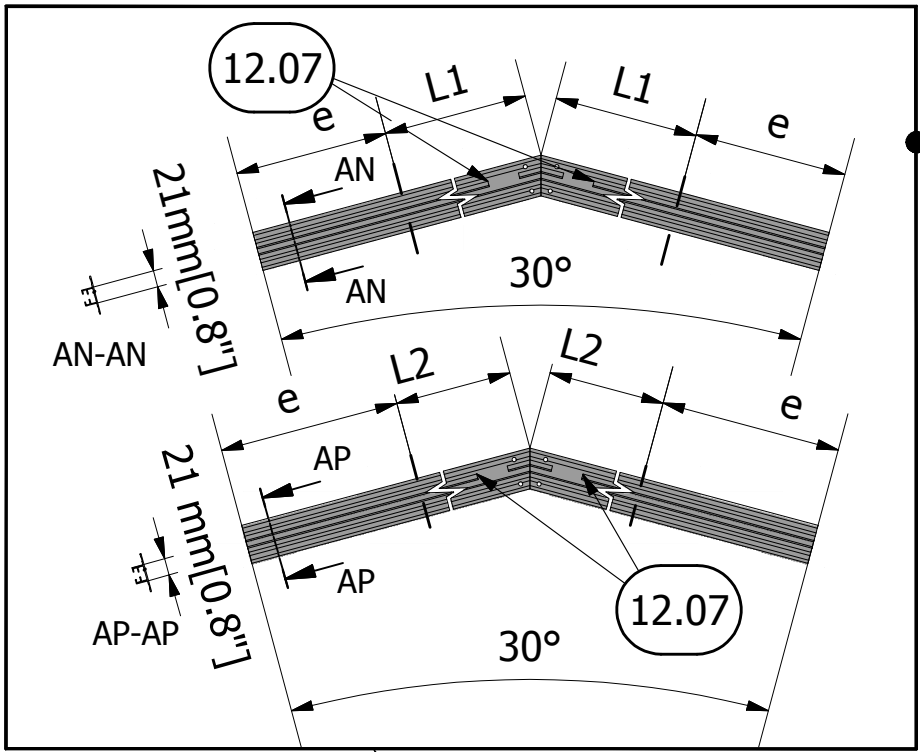
$$a1 = e + L1$$

$$a2 = e + L2$$

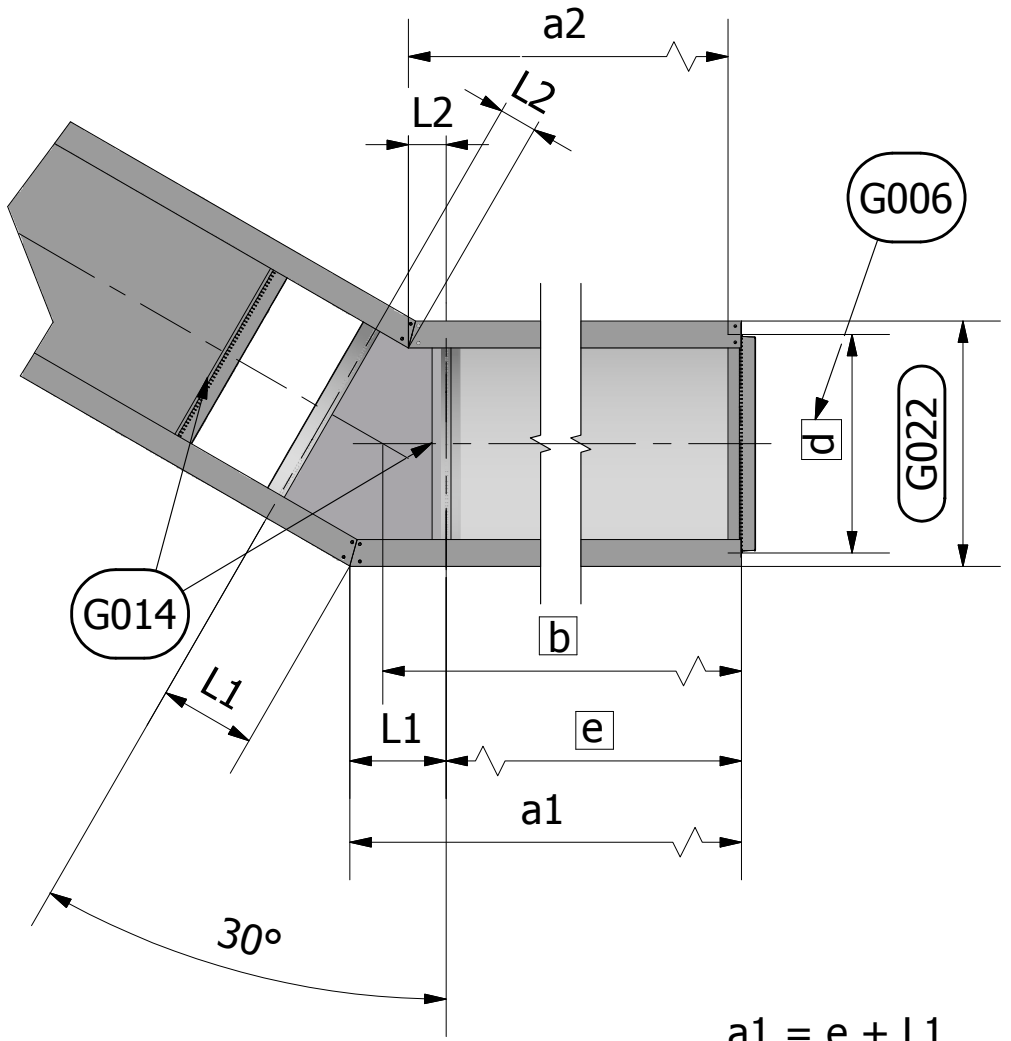
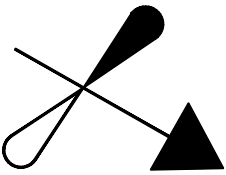
$$L1, L2 \rightarrow 12.28$$

12.09

Type 12
 FabricAir® Installation Drawing
 2003-1209-000 (2014-FEB)



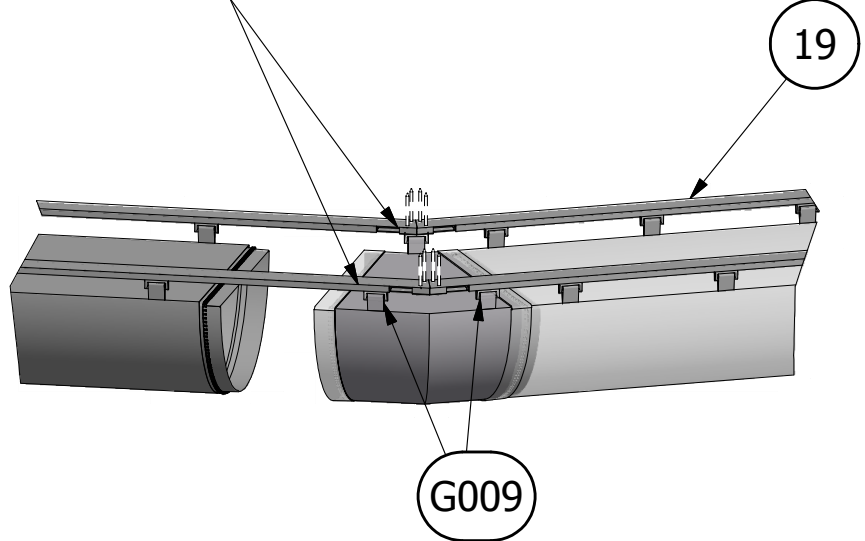
12.29



$$a1 = e + L1$$

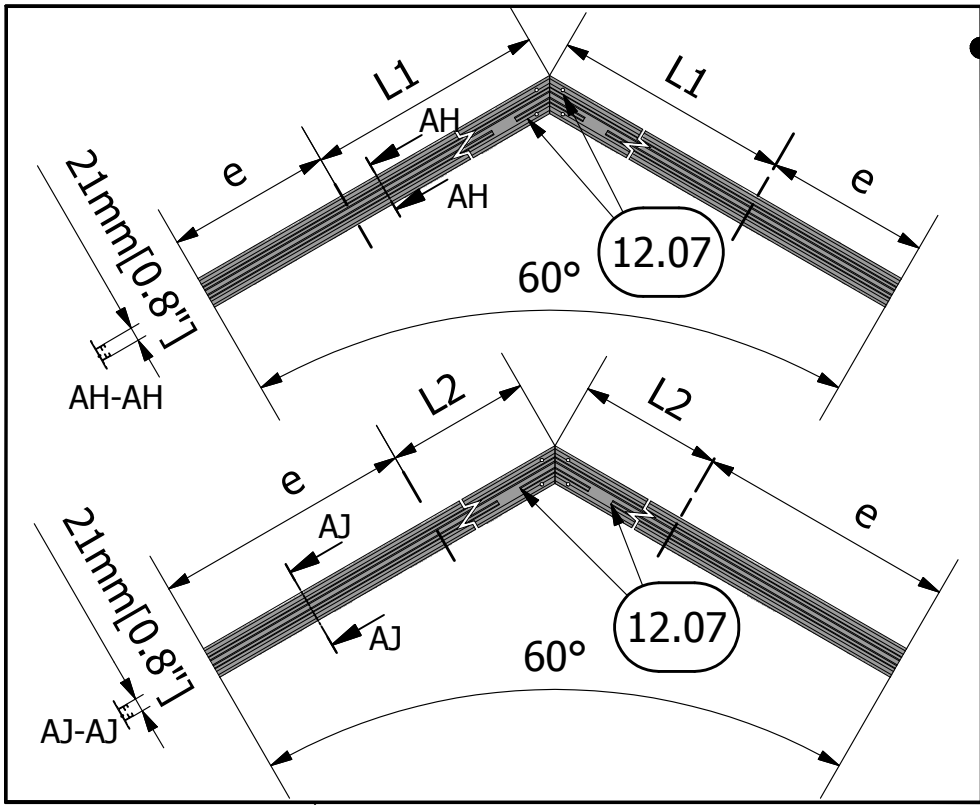
$$a2 = e + L2$$

$$L1, L2 \rightarrow 12.29$$



12.10

Type 12
 FabricAir® Installation Drawing
 2003-1210-000 (2014-FEB)



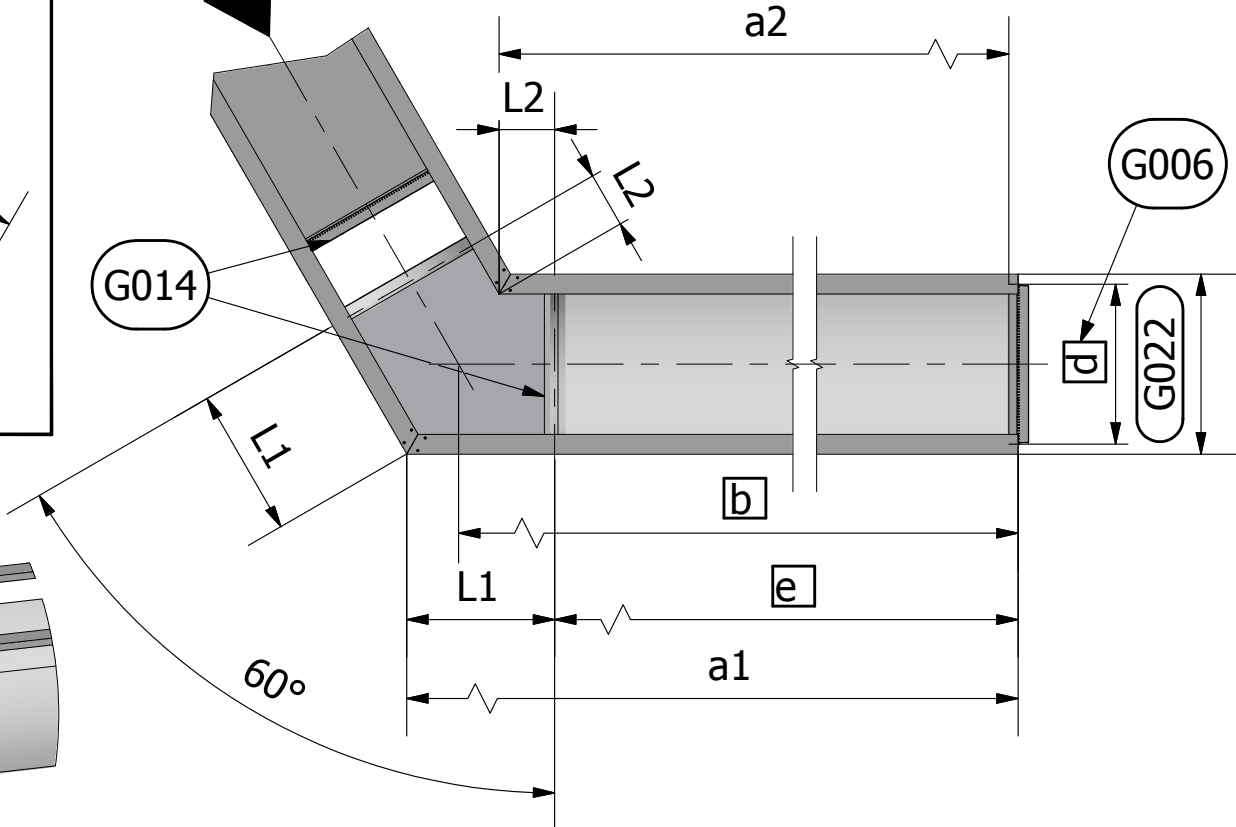
12.30

G014

G006

G022

G009



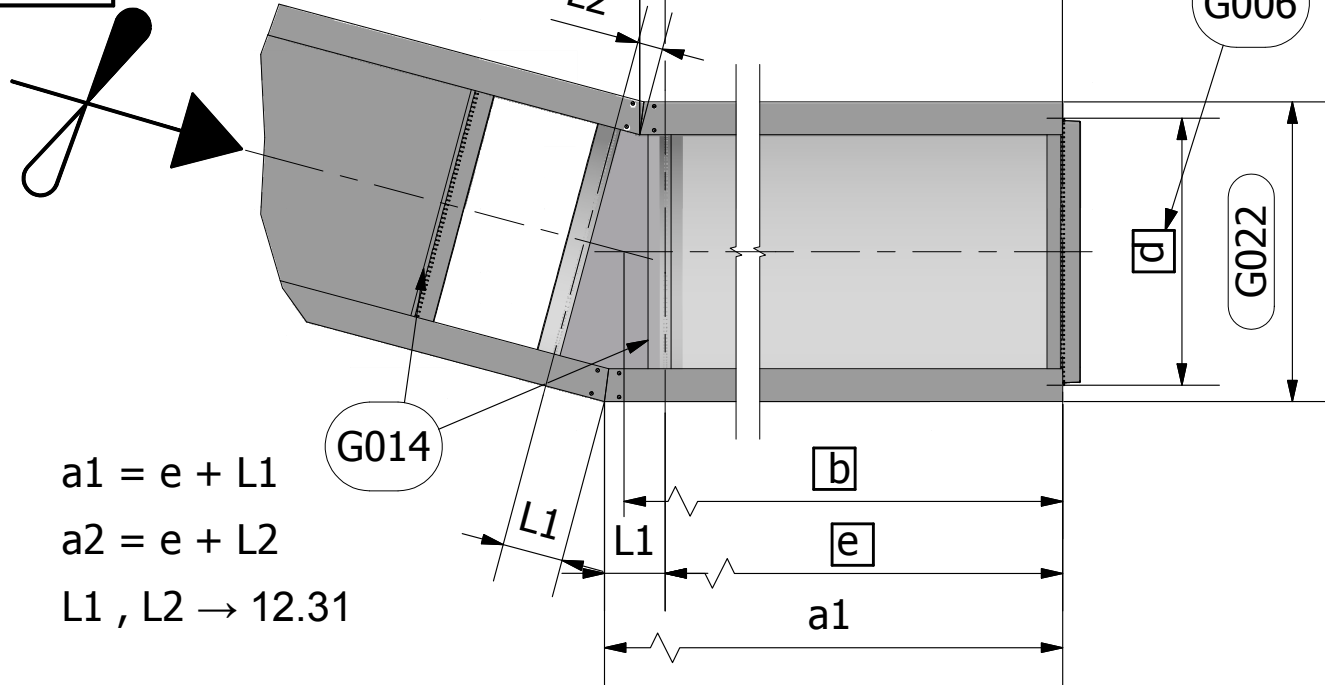
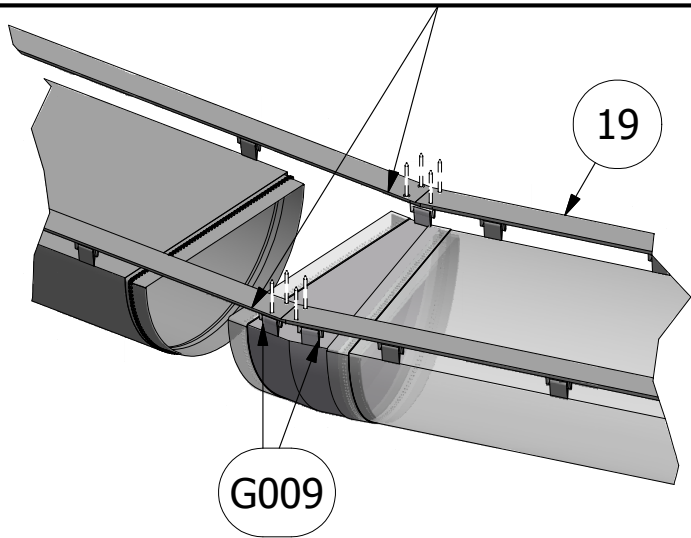
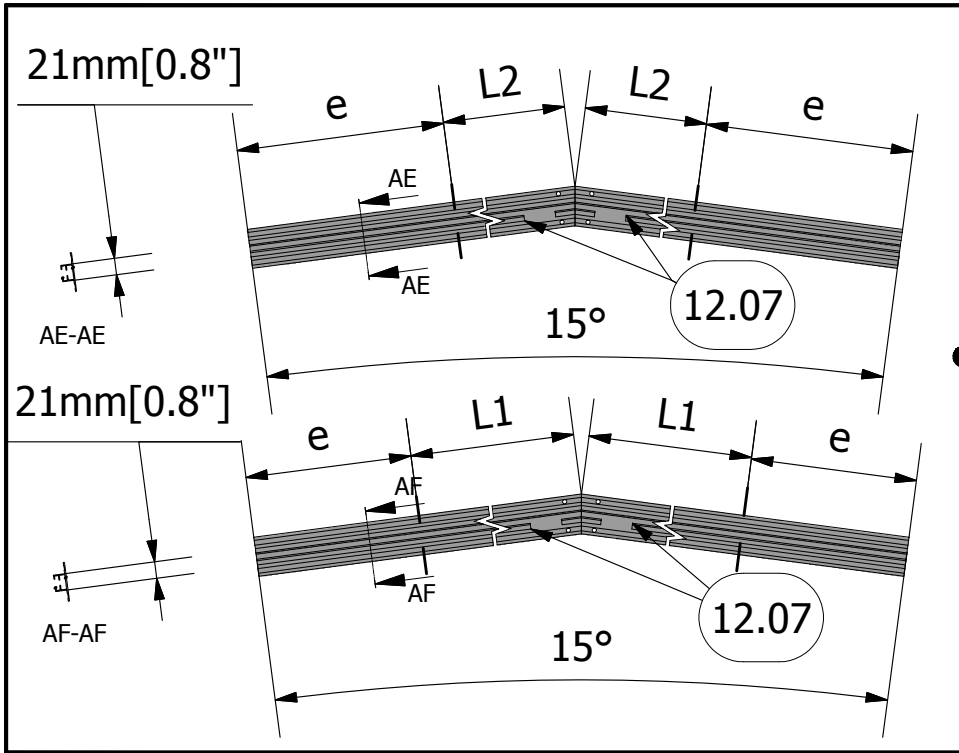
$$a1 = e + L1$$

$$a2 = e + L2$$

L1 , L2 → 12.30

12.11

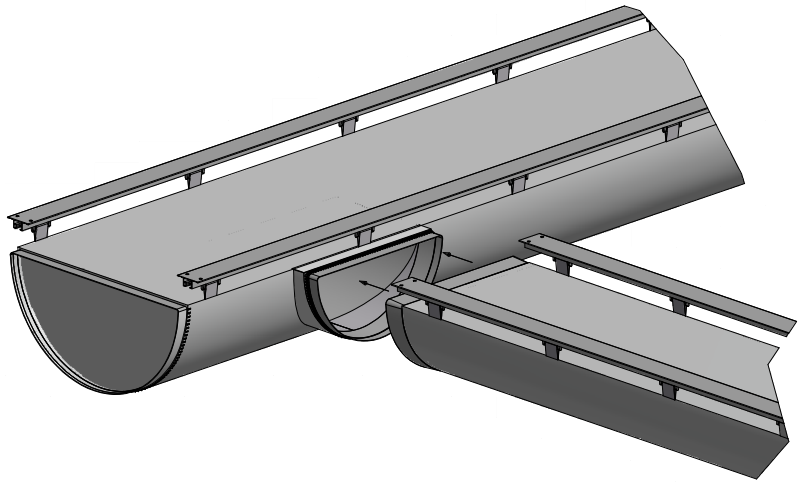
Type 12
 FabricAir® Installation Drawing
 2003-1211-000 (2014-FEB)



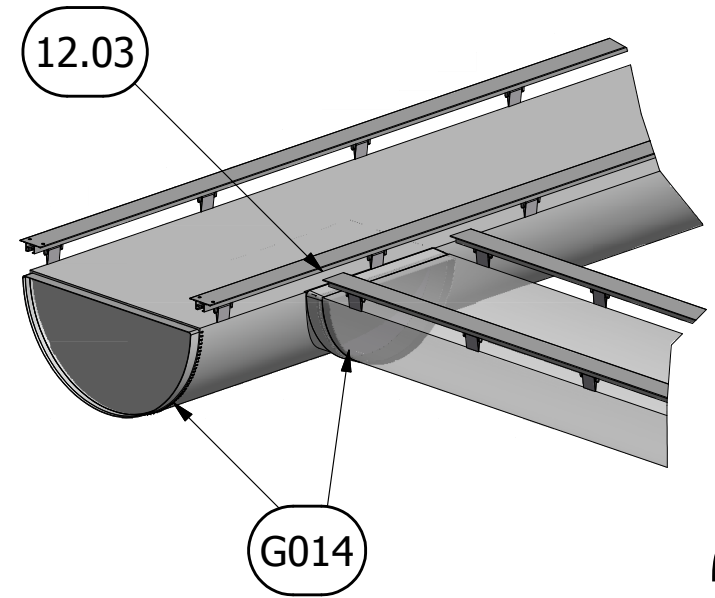
$$a1 = e + L1$$

$$a2 = e + L2$$

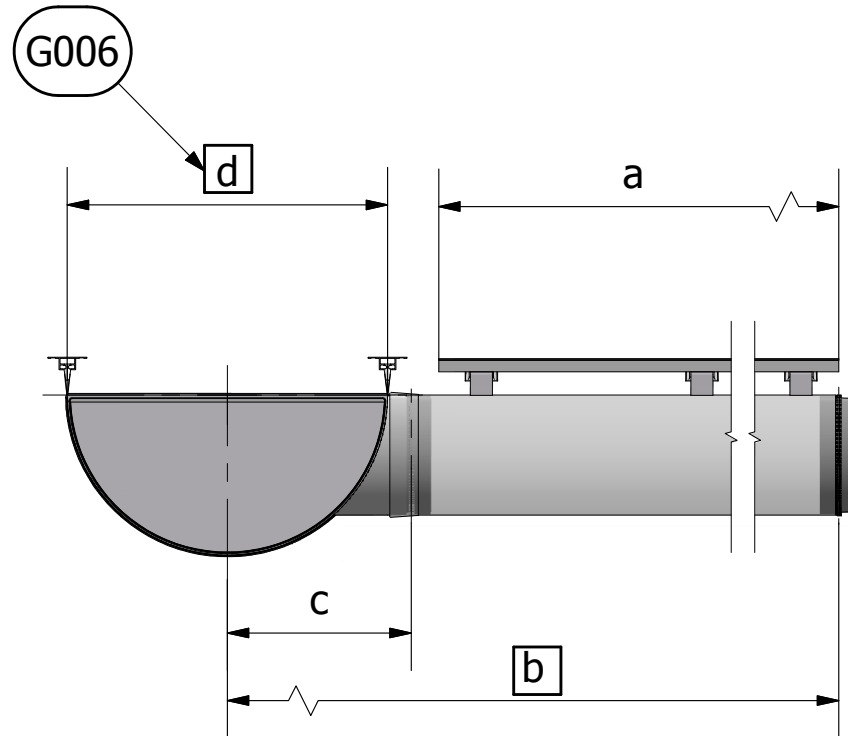
$$L1, L2 \rightarrow 12.31$$



1

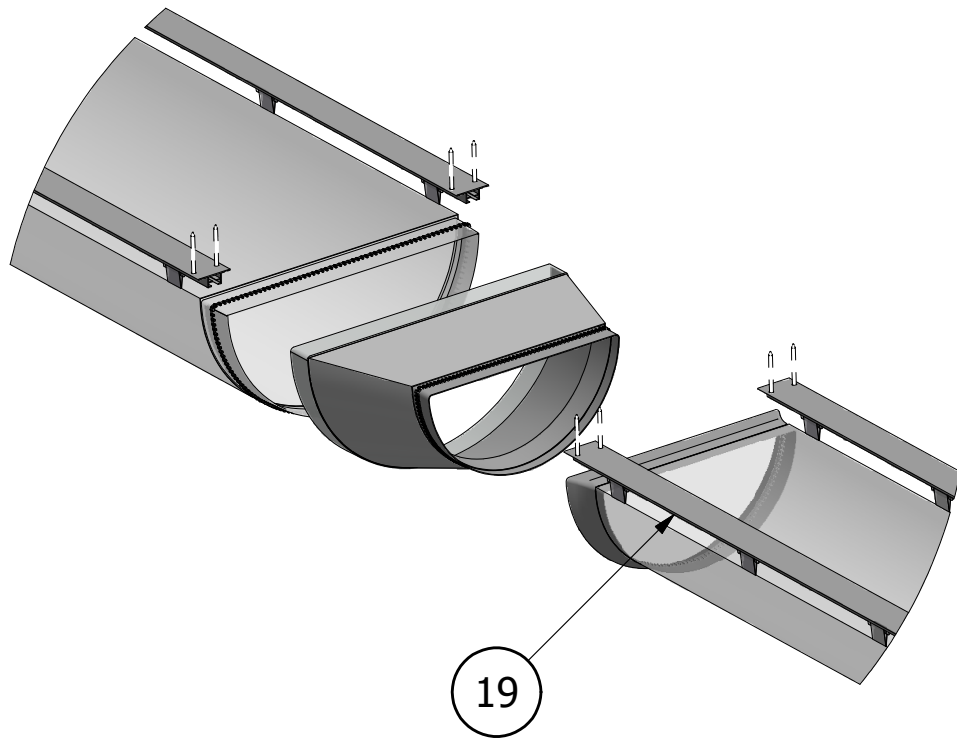


2

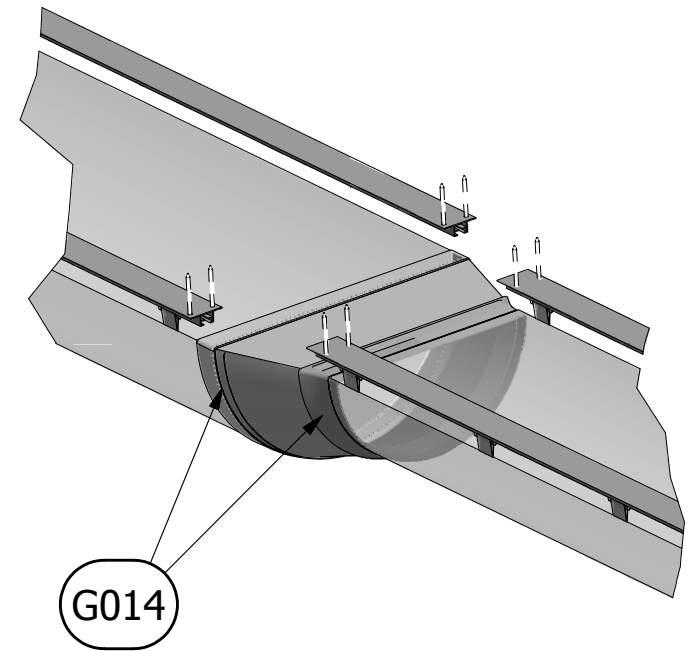


$$c = \frac{1}{2} d + 30\text{mm}[1.18"]$$

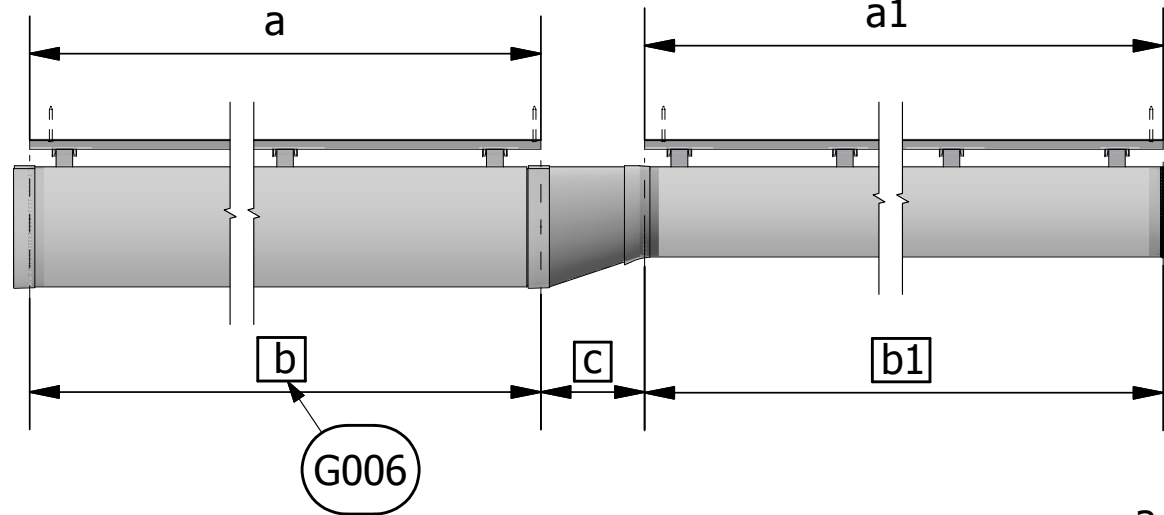
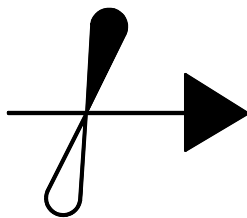
$$a = b - (\frac{1}{2} d + 65\text{mm}[2.55"])$$



1



2

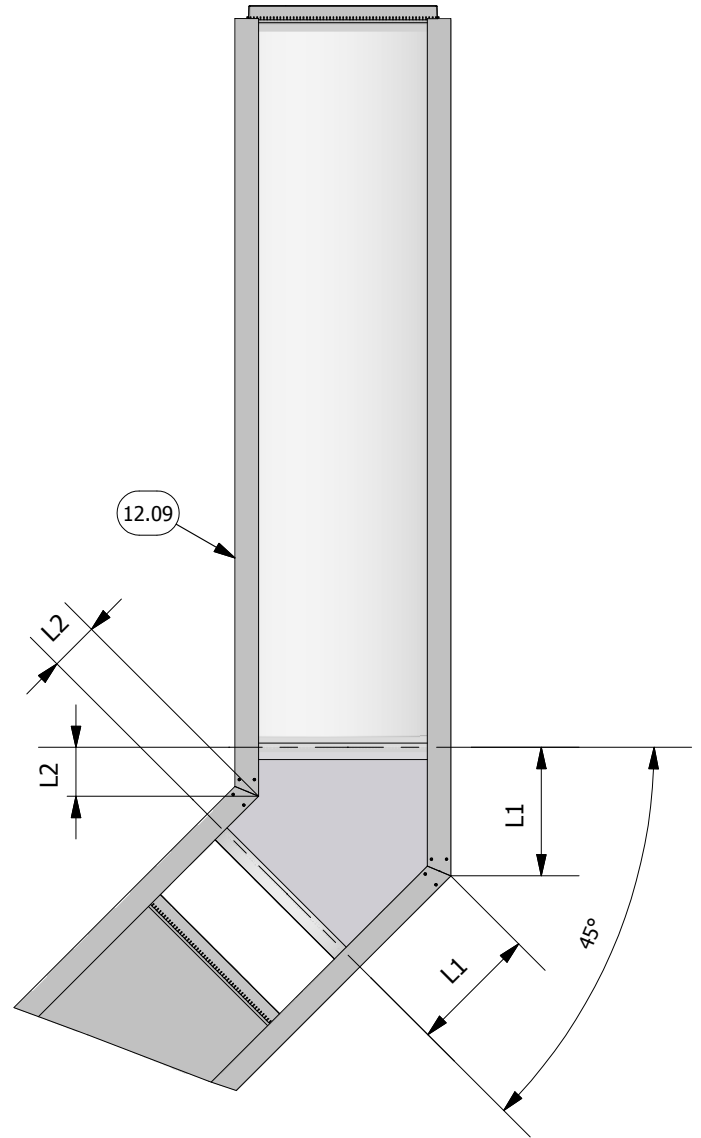


$$a = b$$

$$a1 = b1$$

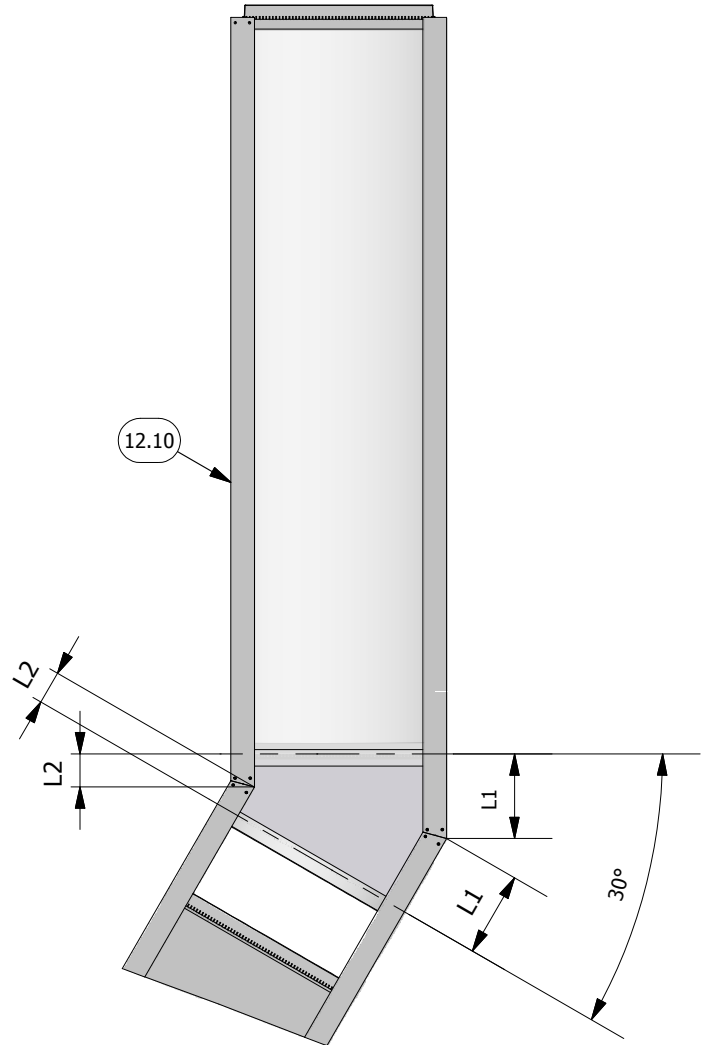
45°

d-Duct Diam.[inch]	d-Duct Diam.[mm]	L1	L2
	100	81	40
	160	118	52
	200	143	60
8	205	146	61
	250	174	71
10	255	177	72
	300	205	81
12	305	209	82
	315	215	84
14	360	243	94
	400	268	102
16	410	274	104
	450	299	112
18	460	305	114
	500	330	123
20	510	336	125
22	560	367	135
	600	392	143
24	610	398	145
	630	410	149
26	660	429	156
	710	460	166
28	715	463	167
30	765	494	177
	800	516	185
32	815	525	188
34	865	556	198
	900	578	205
36	915	588	209
38	965	619	219
	1000	640	226
40	1020	653	230
42	1070	684	241
	1100	702	247
44	1120	715	251
46	1170	746	261
	1200	765	268
48	1220	777	272
	1250	796	278
50	1270	808	282
	1300	827	288
52	1320	839	292
	1400	889	309
56	1425	904	314
58	1480	939	326
	1500	951	330
60	1525	967	335
62	1580	1001	346
	1600	1013	350
64	1630	1032	357
66	1680	1063	367
	1700	1075	371
68	1730	1094	377
70	1780	1125	388
	1800	1137	392
72	1830	1156	398
	1900	1200	413
76	1930	1218	419
	2000	1262	433
80	2035	1283	440



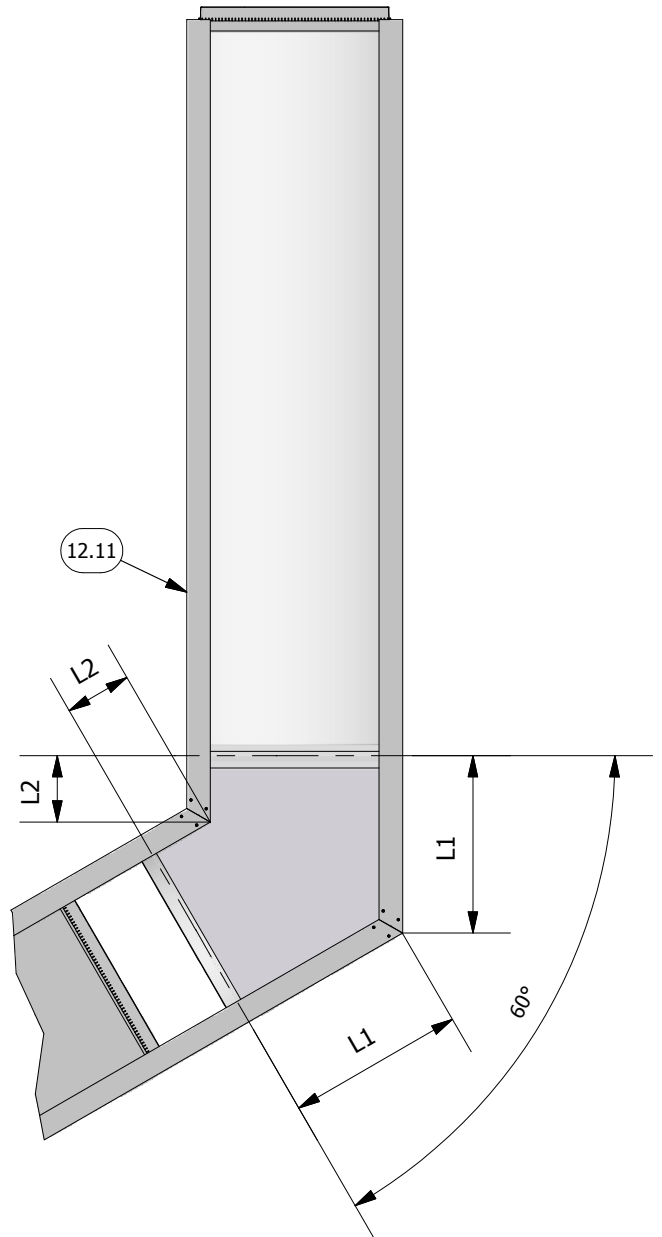
30°

d-Duct Diam.[inch]	d-Duct Diam.[mm]	L1	L2
	100	56	29
	160	80	37
	200	96	43
8	205	98	43
	250	116	49
10	255	118	50
	300	137	56
12	305	139	57
	315	143	58
14	360	161	64
	400	177	70
16	410	181	71
	450	197	76
18	460	201	78
	500	217	83
20	510	221	84
22	560	241	91
	600	257	96
24	610	261	98
	630	269	100
26	660	281	104
	710	301	111
28	715	303	112
30	765	323	118
	800	338	123
32	815	344	125
34	865	364	132
	900	378	137
36	915	384	139
38	965	404	145
	1000	418	150
40	1020	426	153
42	1070	446	159
	1100	458	163
44	1120	466	166
46	1170	486	173
	1200	498	177
48	1220	506	179
	1250	518	183
50	1270	526	186
	1300	539	190
52	1320	547	193
	1400	579	204
56	1425	589	207
58	1480	611	214
	1500	619	217
60	1525	629	220
62	1580	651	228
	1600	659	230
64	1630	671	234
66	1680	691	241
	1700	699	244
68	1730	711	248
70	1780	731	254
	1800	739	257
72	1830	752	261
	1900	780	271
76	1930	792	275
	2000	820	284
80	2035	834	289



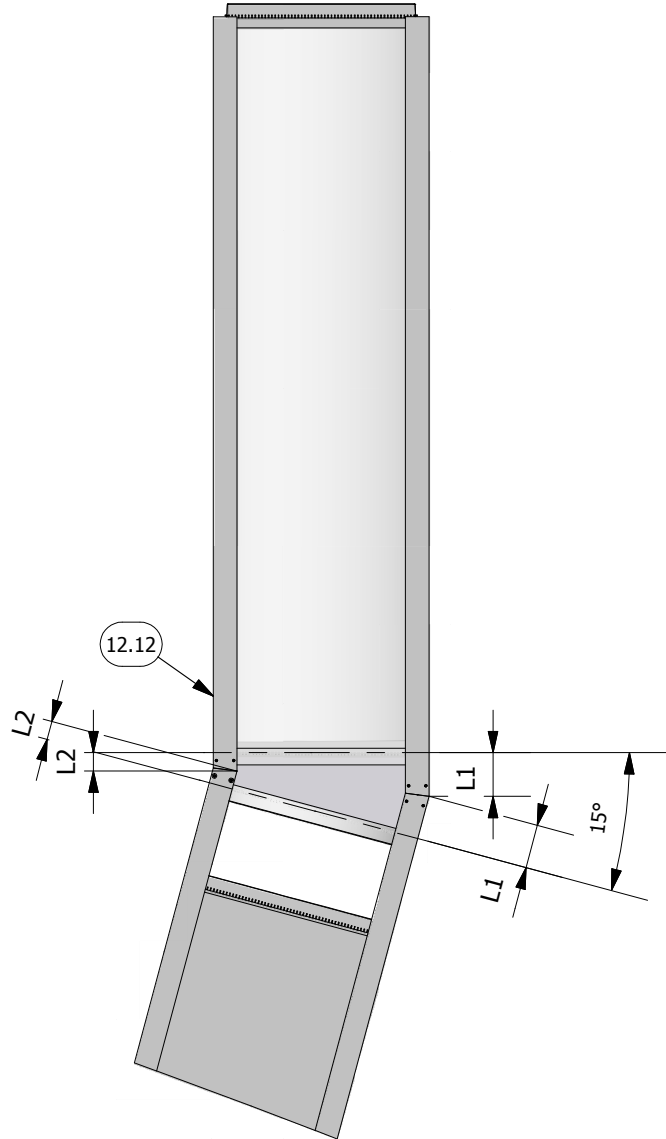
60°

d-Duct Diam.[inch]	d-Duct Diam.[mm]	L1	L2
	100	110	52
	160	162	69
	200	196	81
8	205	201	82
	250	240	95
10	255	244	97
	300	283	110
12	305	287	111
	315	296	114
14	360	335	127
	400	369	138
16	410	378	141
	450	413	153
18	460	421	156
	500	456	167
20	510	465	170
22	560	508	185
	600	543	196
24	610	551	199
	630	569	205
26	660	595	214
	710	638	228
28	715	642	229
30	765	686	244
	800	716	254
32	815	729	258
34	865	772	273
	900	802	283
36	915	815	287
38	965	859	302
	1000	889	312
40	1020	906	317
42	1070	950	332
	1100	976	341
44	1120	993	346
46	1170	1036	351
	1200	1062	369
48	1220	1080	375
	1250	1106	384
50	1270	1123	390
	1300	1149	398
52	1320	1166	404
	1400	1235	427
56	1425	1257	434
58	1480	1305	450
	1500	1322	456
60	1525	1344	463
62	1580	1391	479
	1600	1408	485
64	1630	1434	493
66	1680	1477	508
	1700	1494	513
68	1730	1520	522
70	1780	1564	537
	1800	1581	542
72	1830	1607	551
	1900	1667	571
76	1930	1693	580
	2000	1754	600
80	2035	1784	610

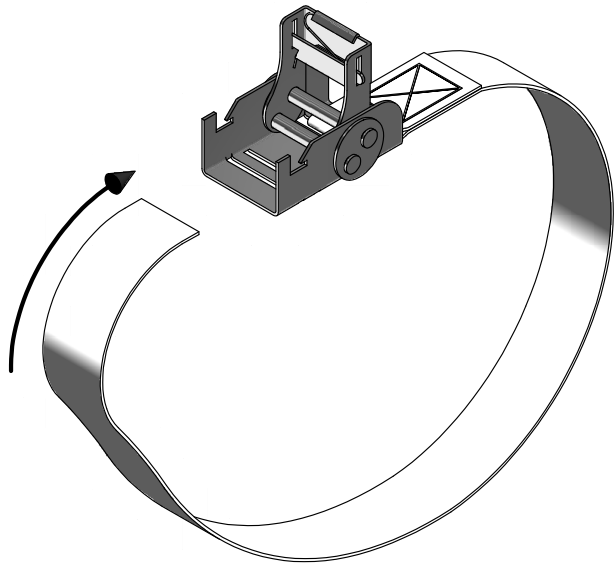


15°

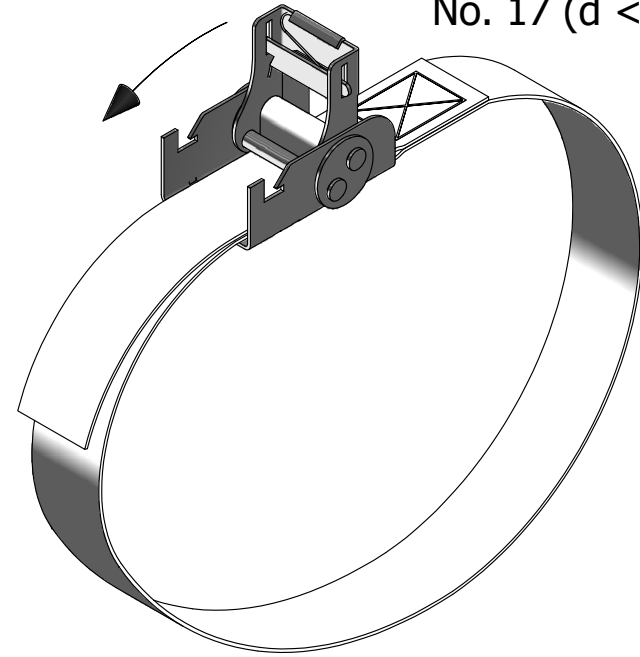
d-Duct Diam.[inch]	d-Duct Diam.[mm]	L1	L2
	100	32	19
	160	44	23
	200	51	25
8	205	52	25
	250	61	28
10	255	62	29
	300	71	32
12	305	72	32
	315	74	33
14	360	83	36
	400	91	38
16	410	93	39
	450	101	42
18	460	103	42
	500	111	45
20	510	113	46
22	560	123	49
	600	130	51
24	610	132	52
	630	136	53
26	660	142	55
	710	152	59
28	715	153	59
30	765	163	62
	800	170	65
32	815	173	66
34	865	183	69
	900	190	71
36	915	193	72
38	965	203	76
	1000	209	78
40	1020	213	79
42	1070	223	82
	1100	229	84
44	1120	233	86
46	1170	243	89
	1200	249	91
48	1220	253	92
	1250	259	94
50	1270	263	96
	1300	269	98
52	1320	273	99
	1400	288	104
56	1425	293	106
58	1480	304	109
	1500	308	111
60	1525	313	112
62	1580	324	116
	1600	328	117
64	1630	334	119
66	1680	344	123
	1700	348	124
68	1730	354	126
70	1780	364	129
	1800	367	130
72	1830	373	132
	1900	387	137
76	1930	393	139
	2000	407	144
80	2035	414	146



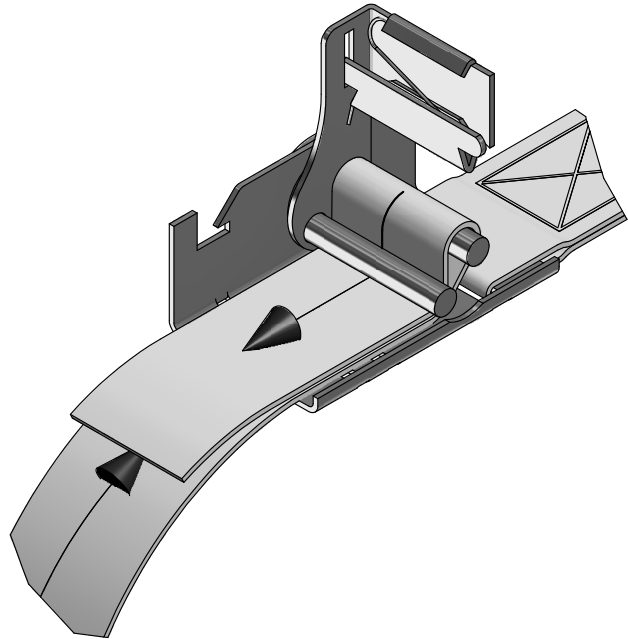
No. 17 (d < 508mm [20in])



1



3

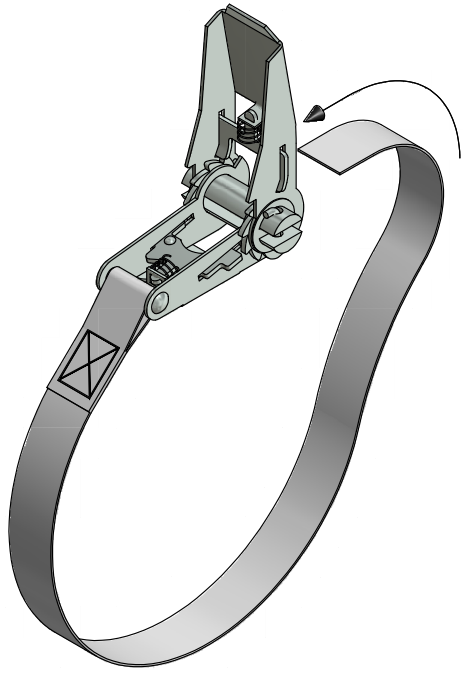


2

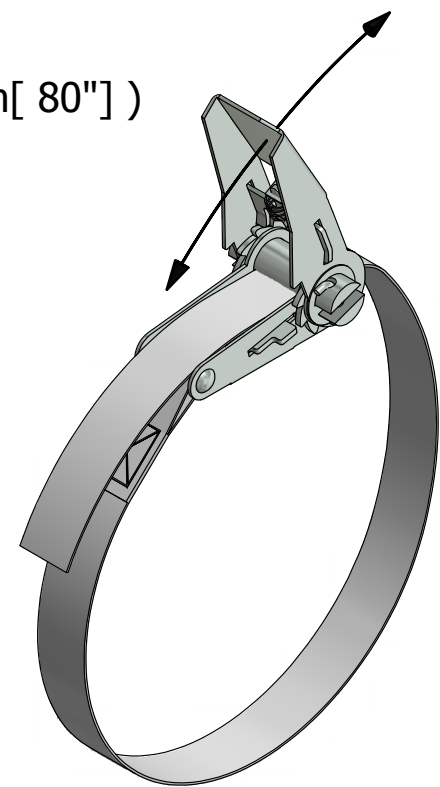


4

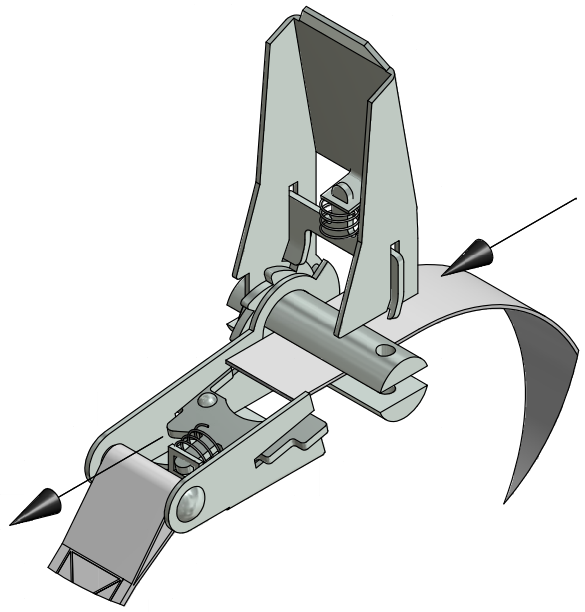
No. 18 (508mm [20"] < d < 2032mm[80"])



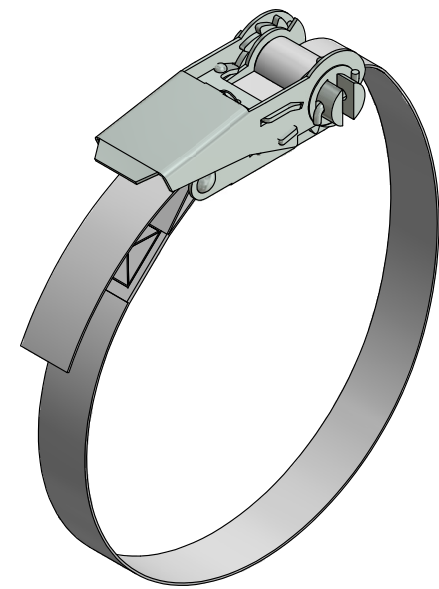
1



3

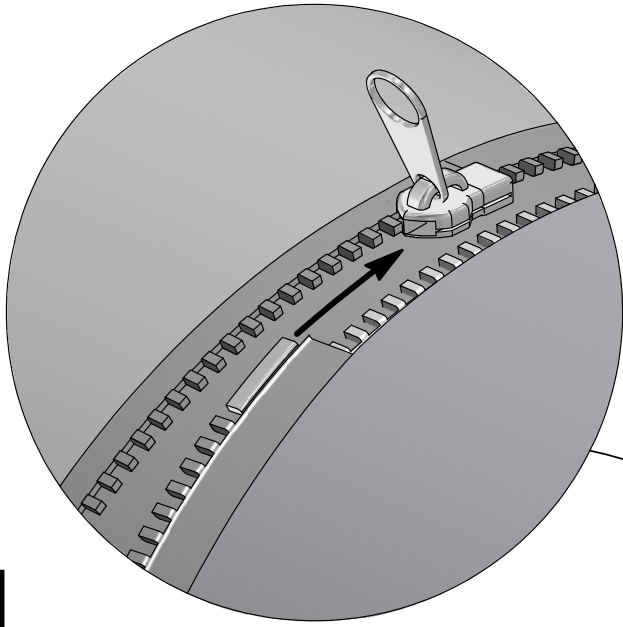


2

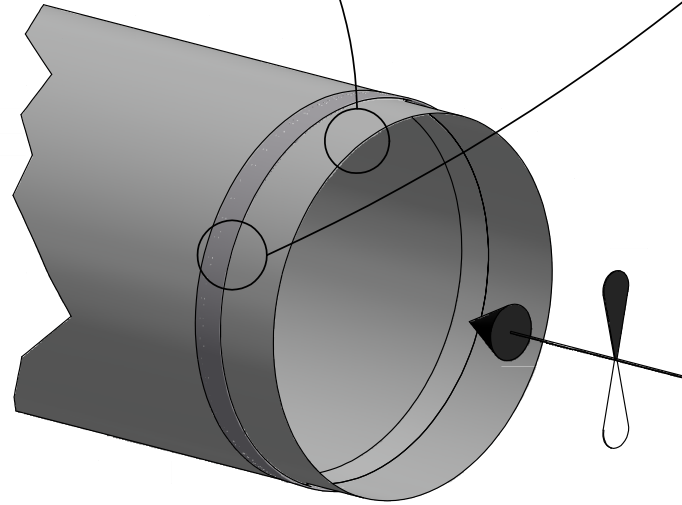
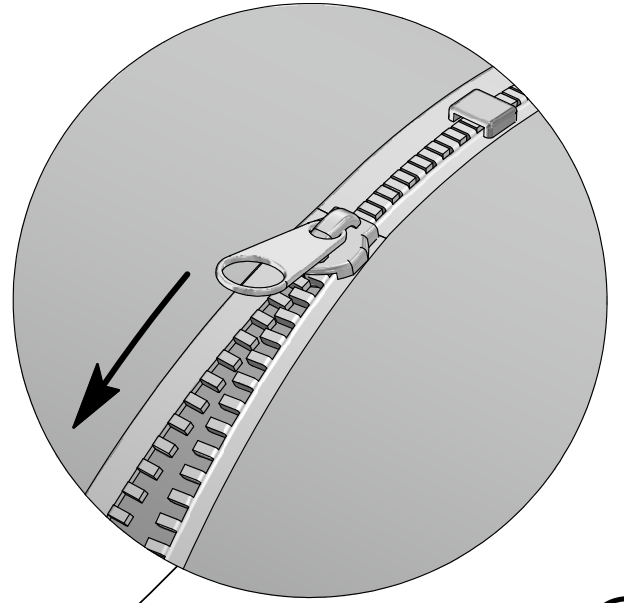


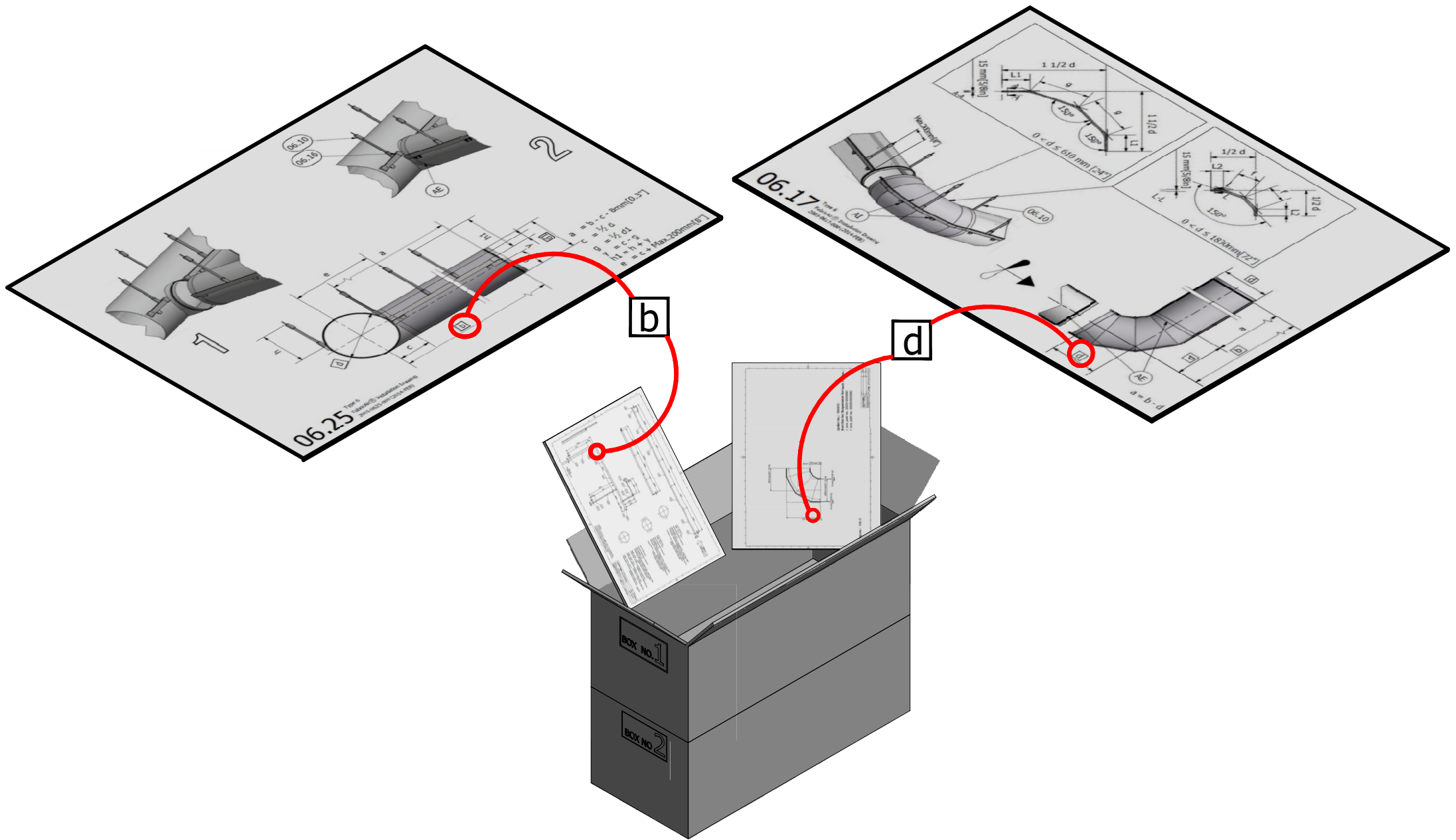
4

1

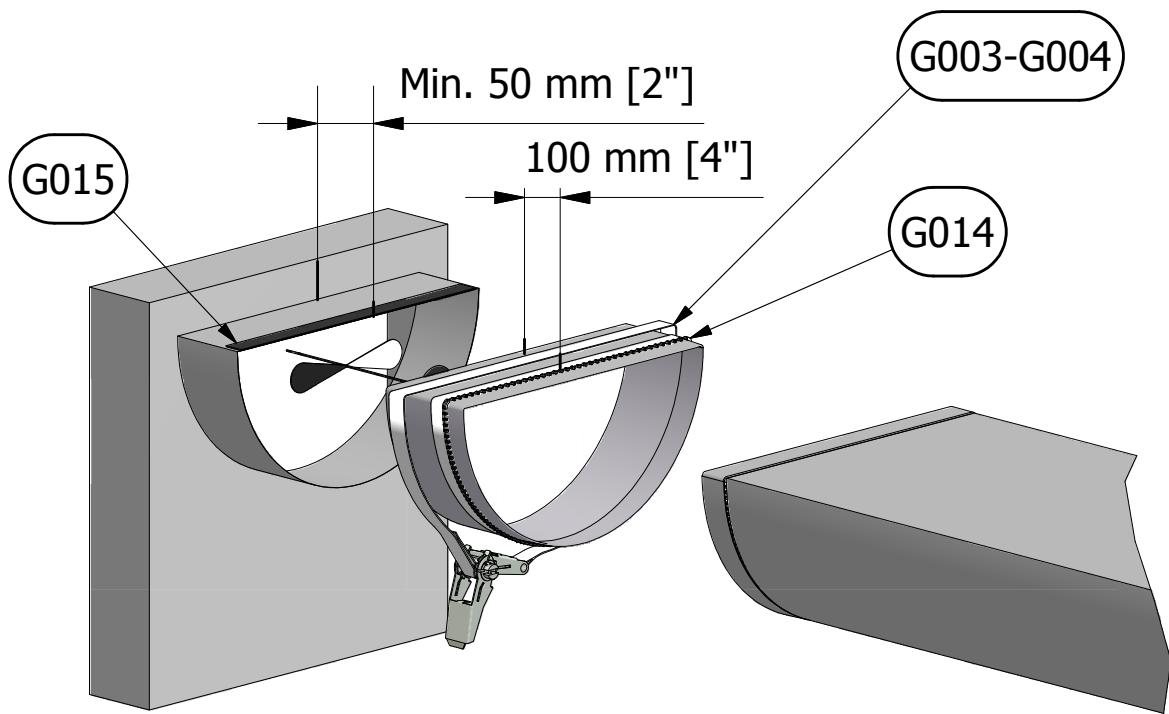


2

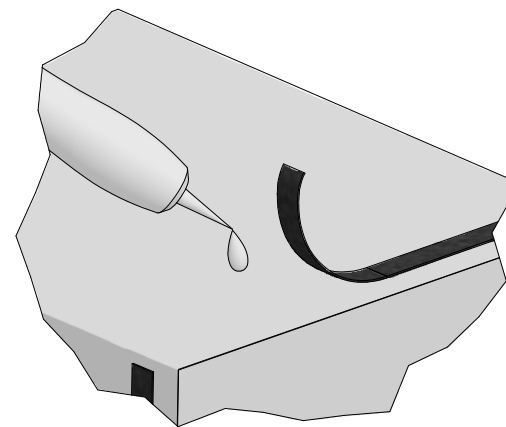




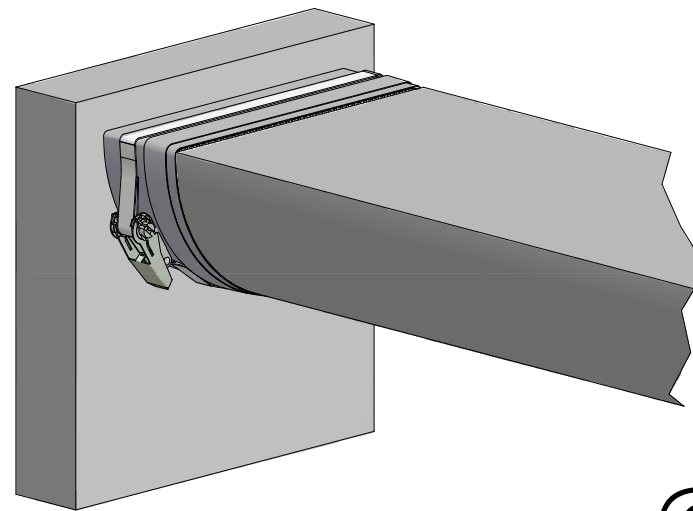
Note:
 The Dimensions given in squares can be found in system drawing which is in box 1 .



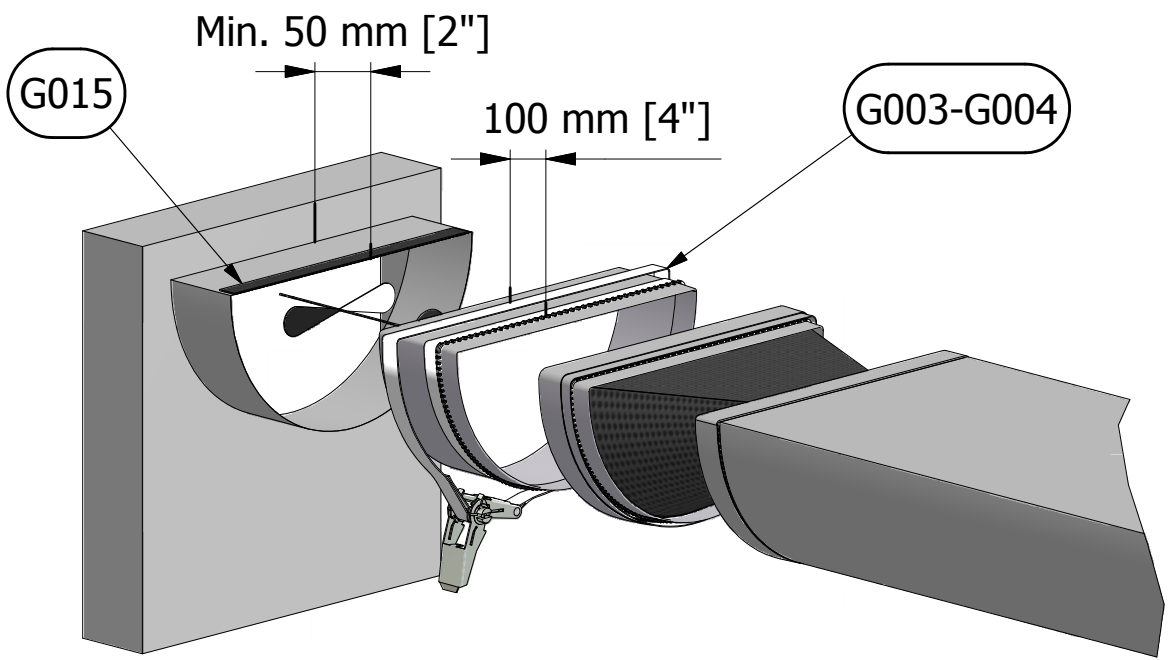
2



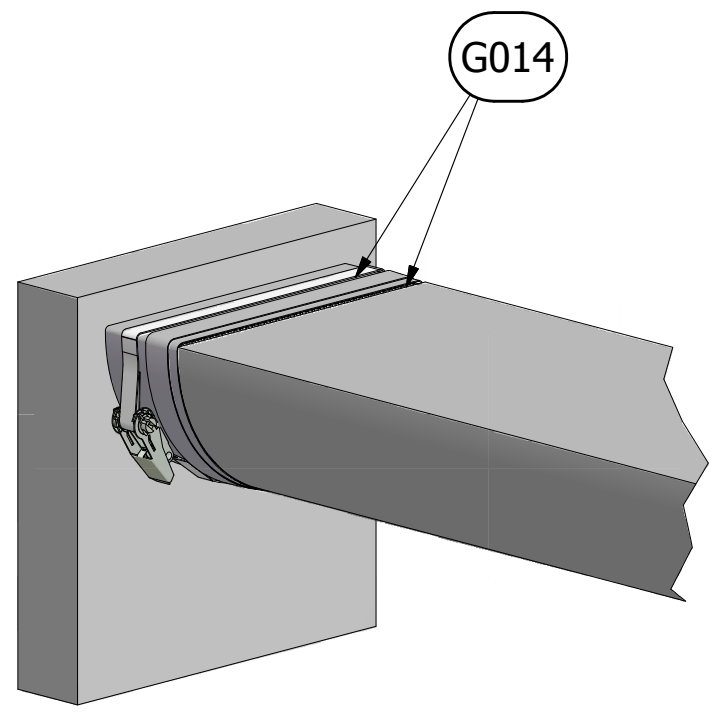
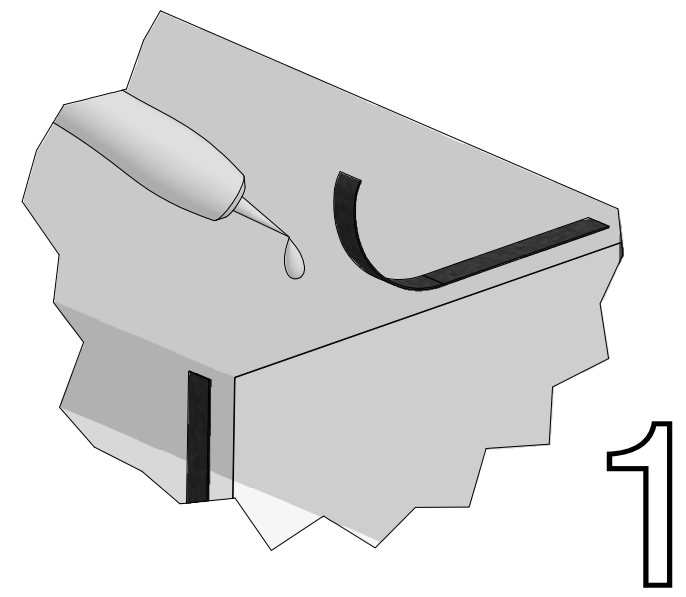
1

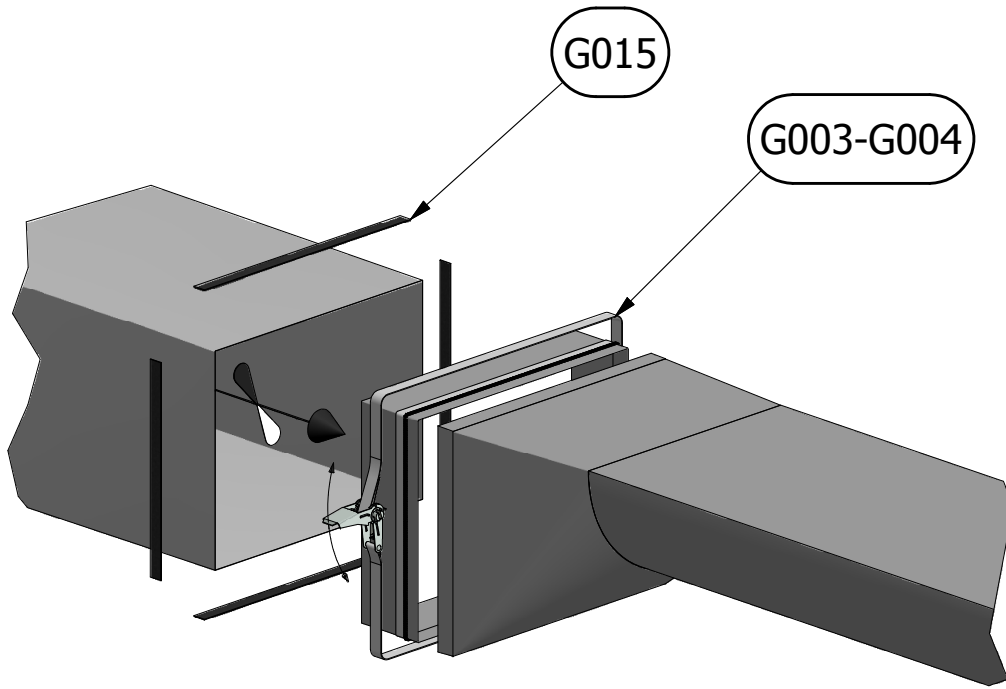


3

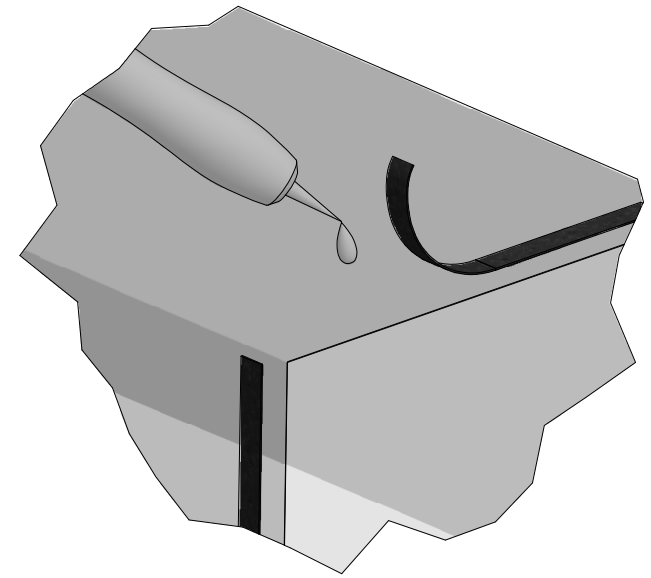


2

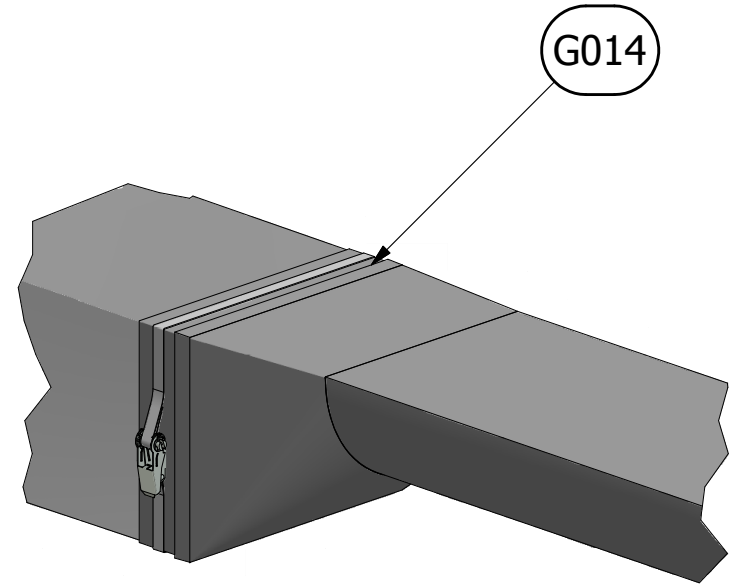




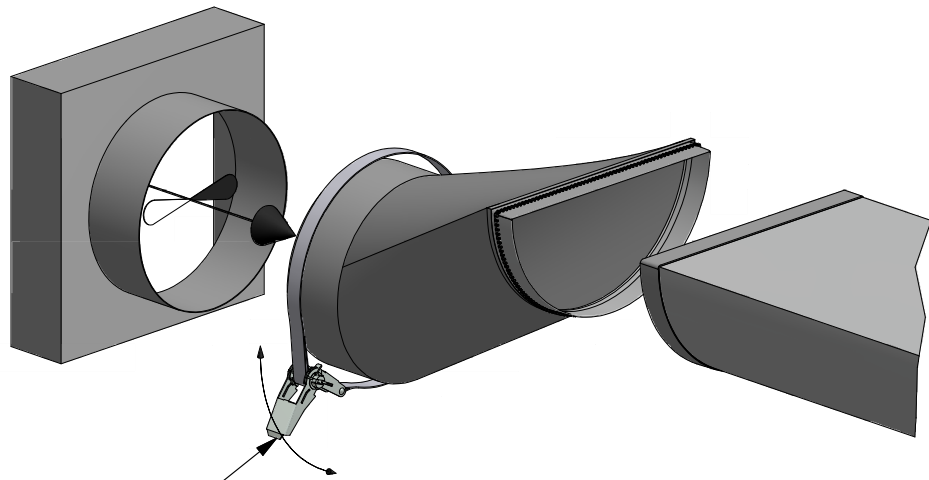
2



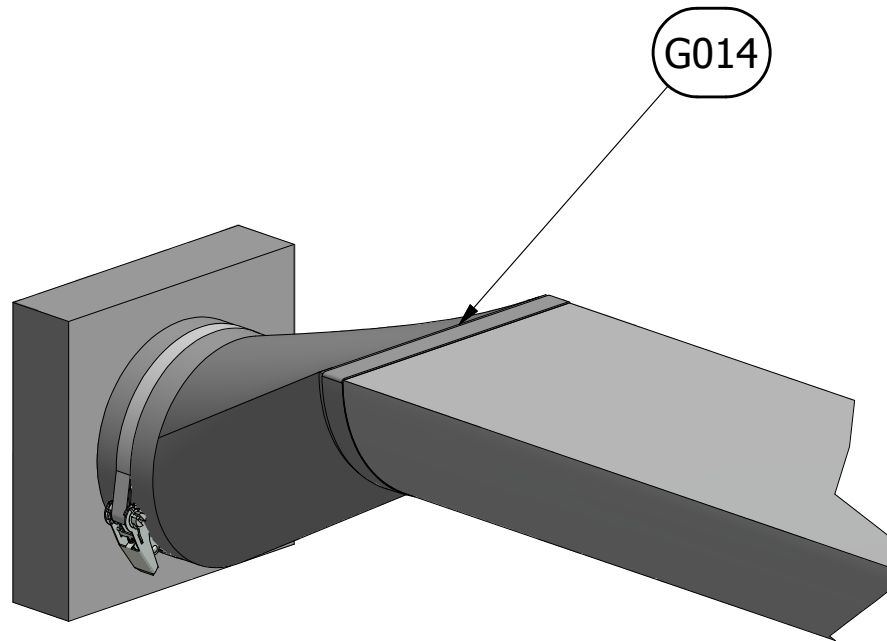
1



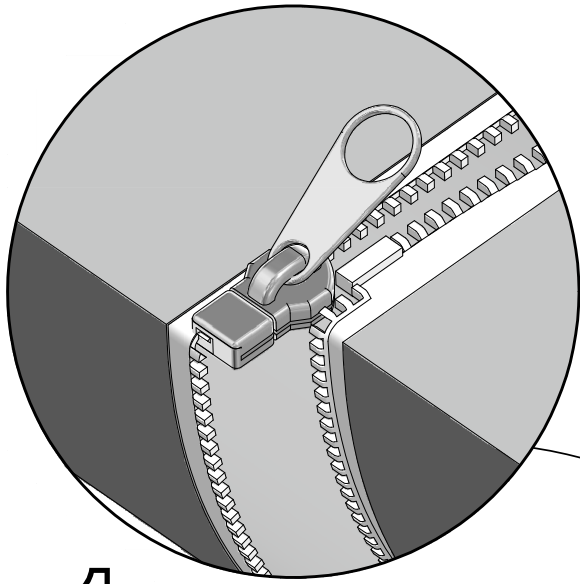
3



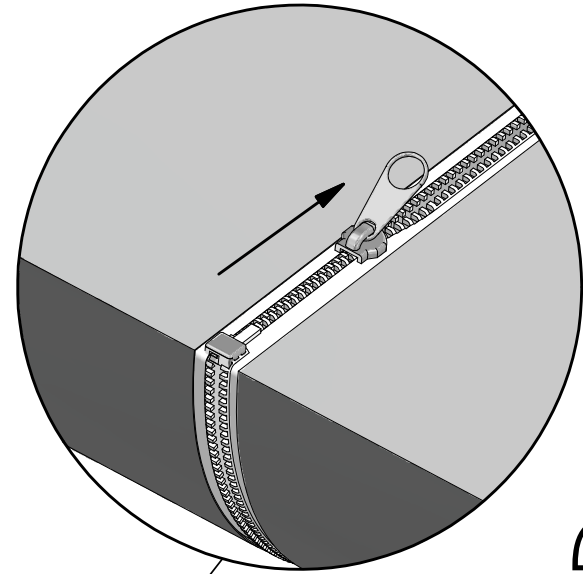
G004



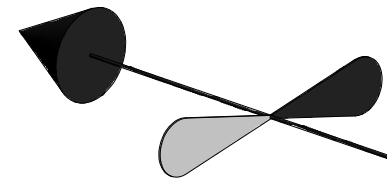
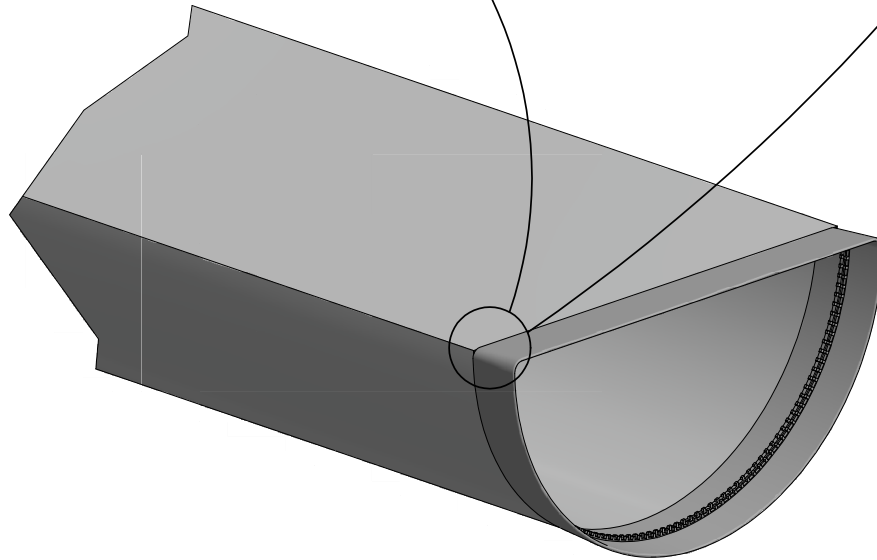
G014

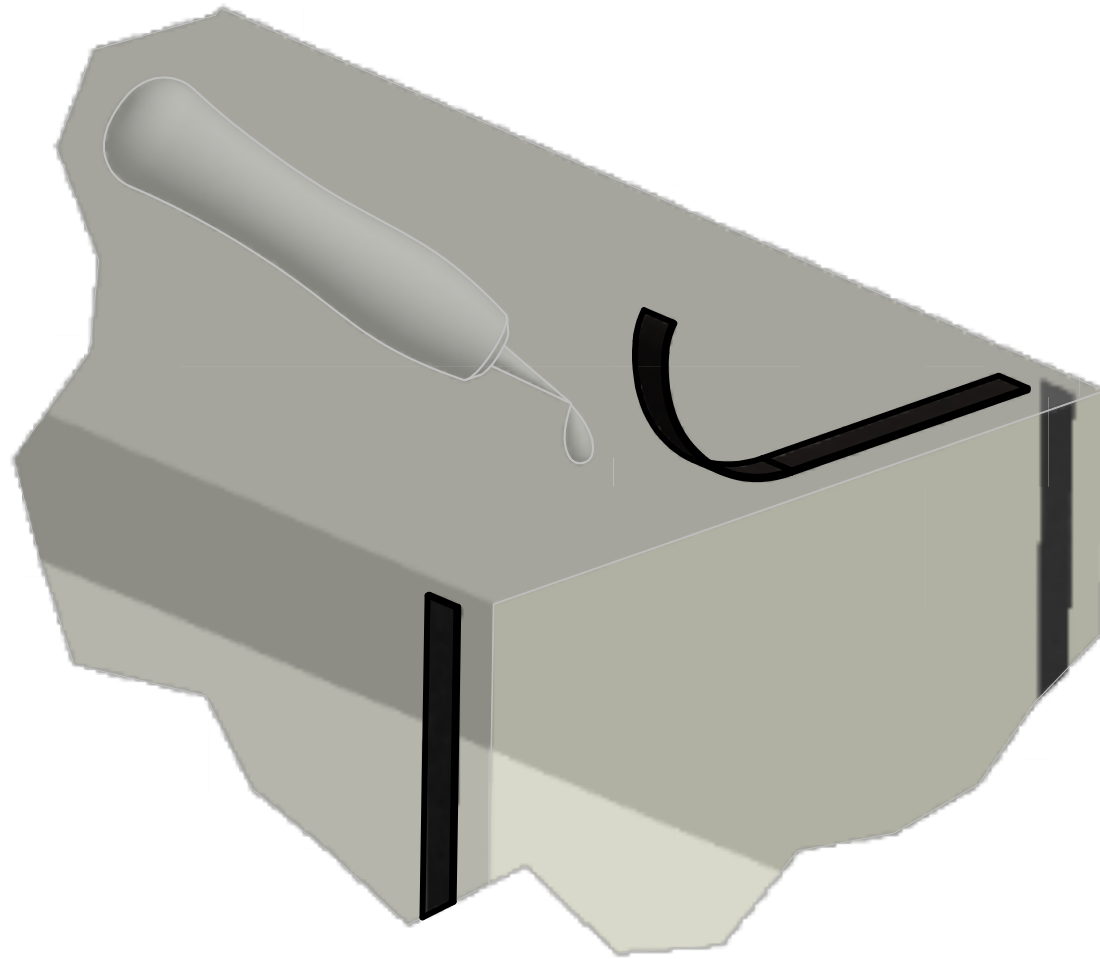


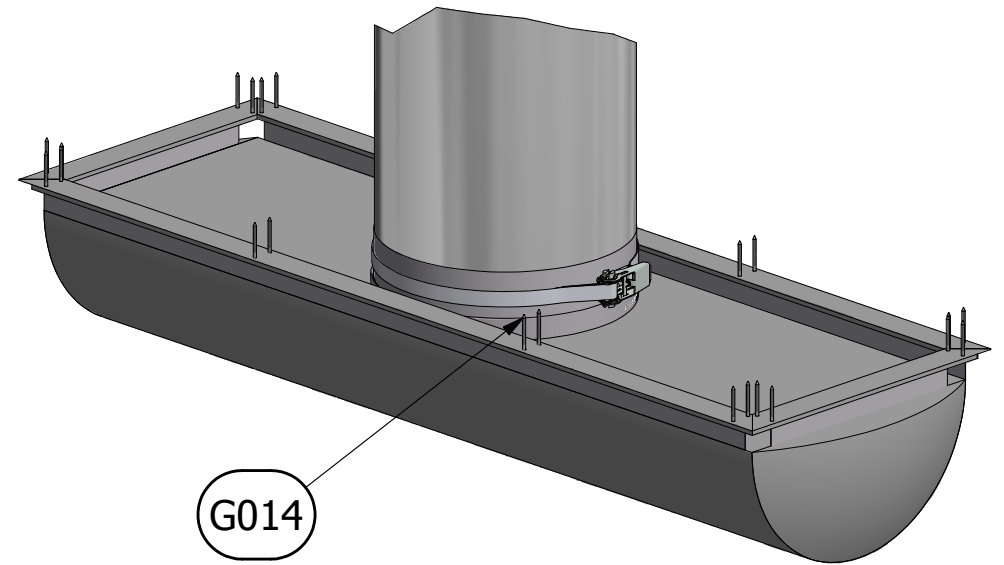
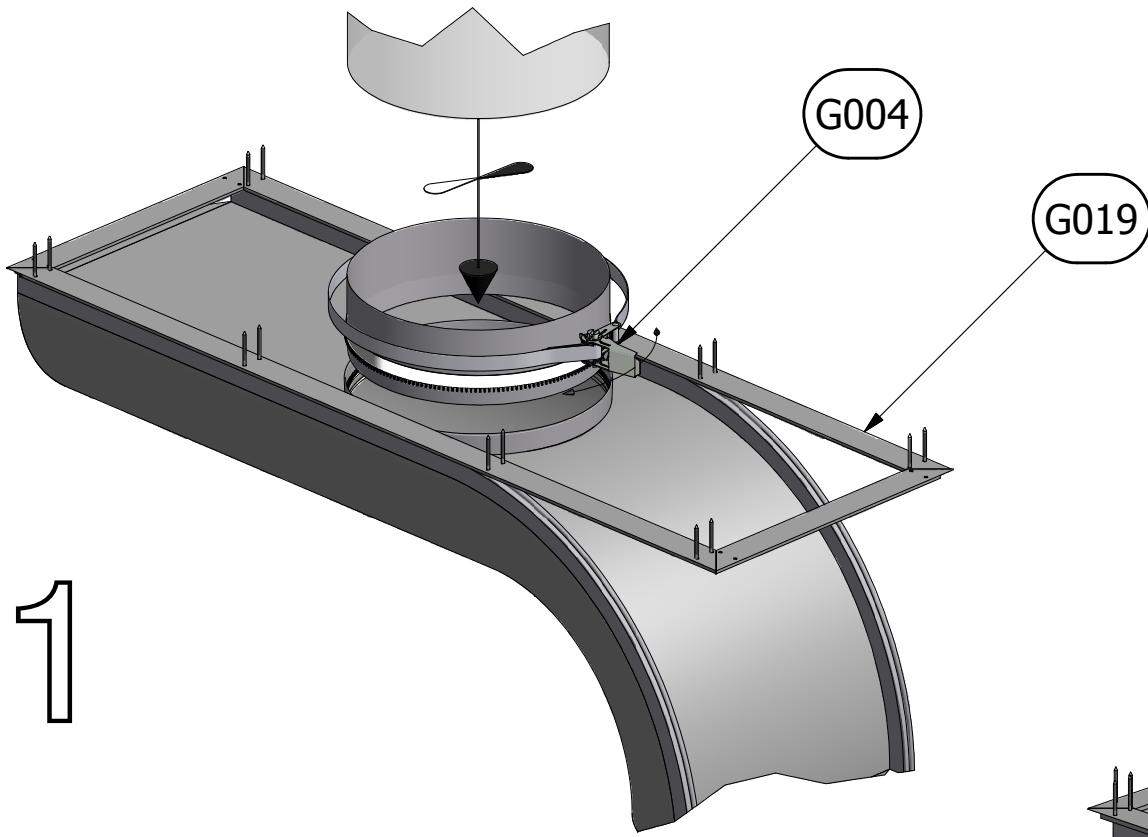
1

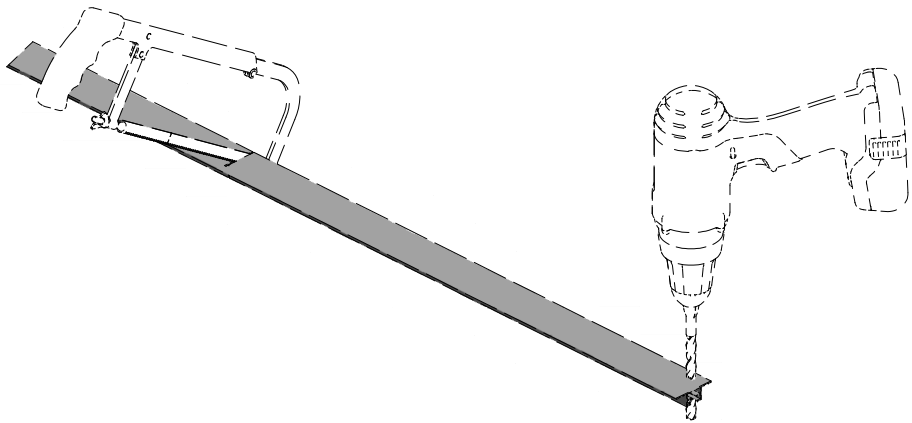


2

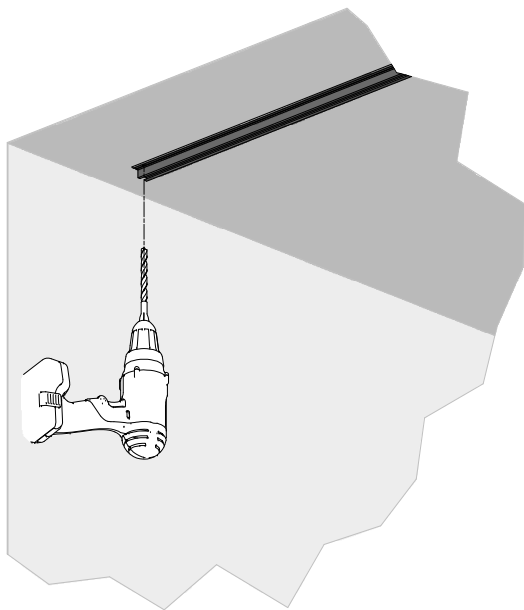




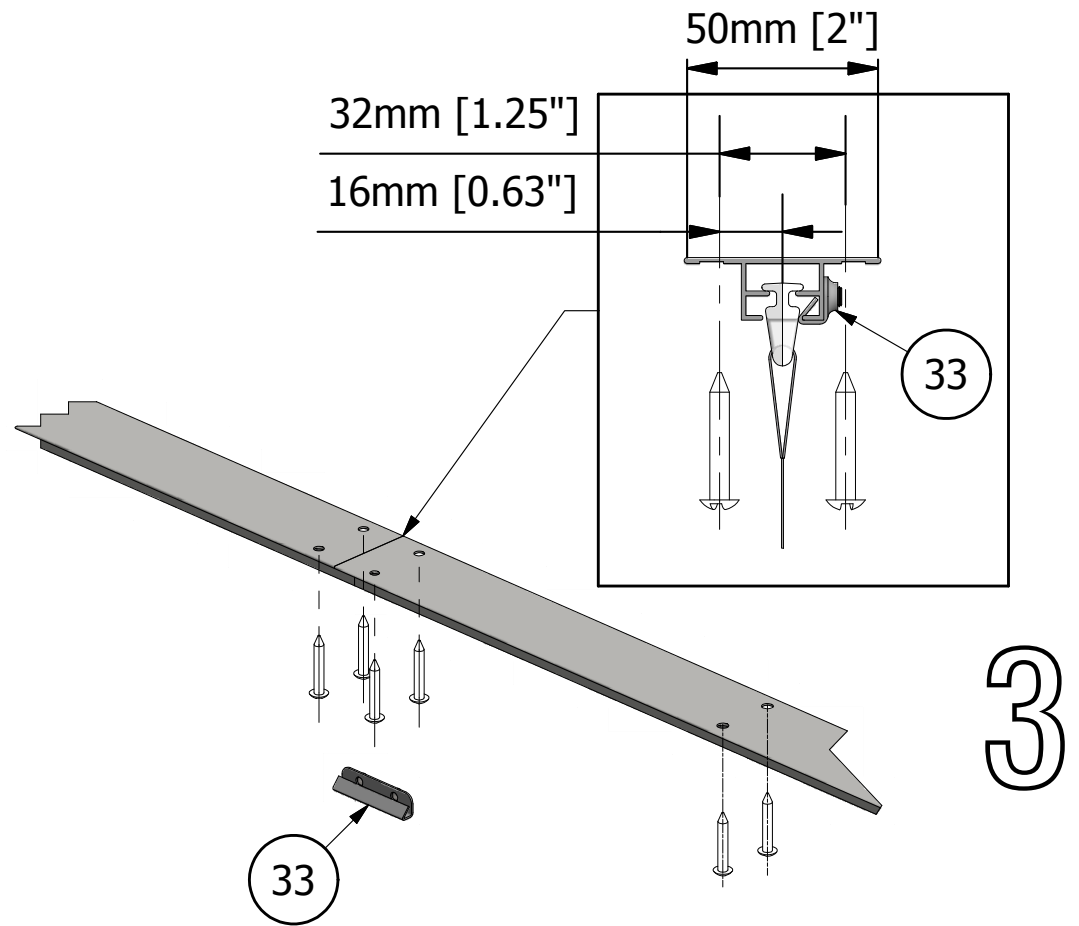




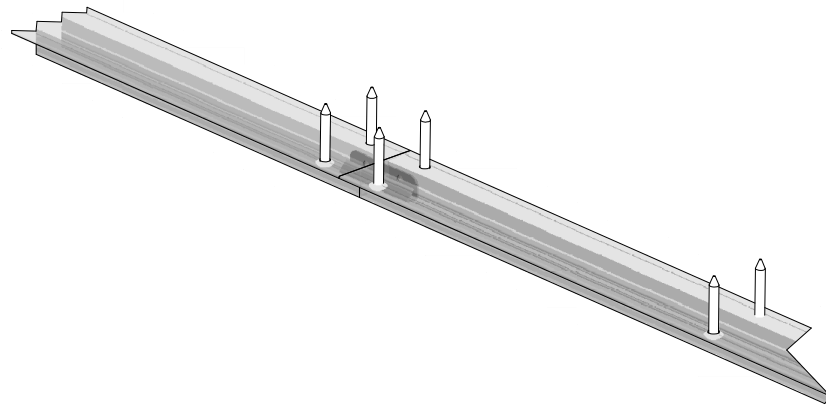
1



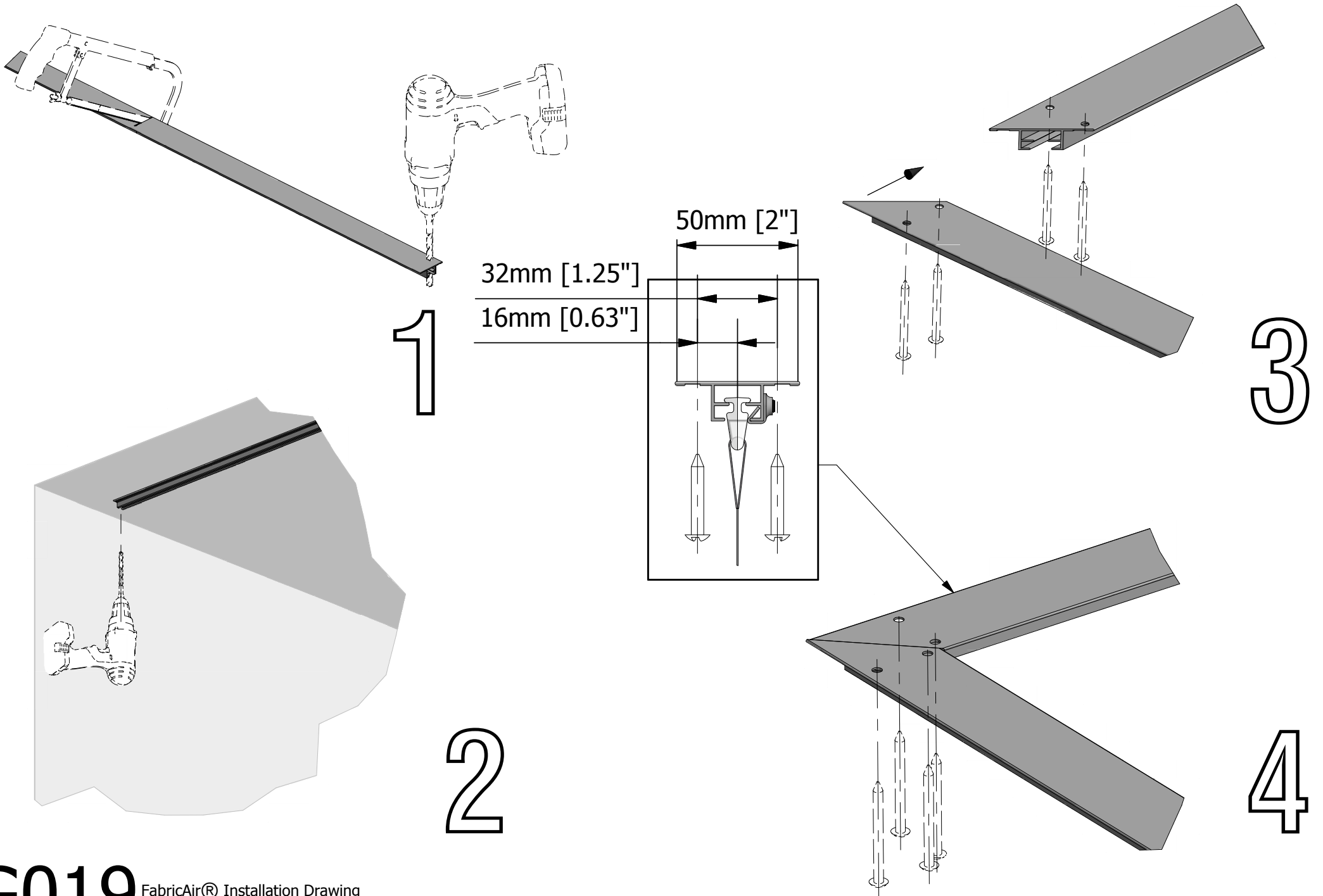
2



3



4



1

32mm [1.25"]
16mm [0.63"]

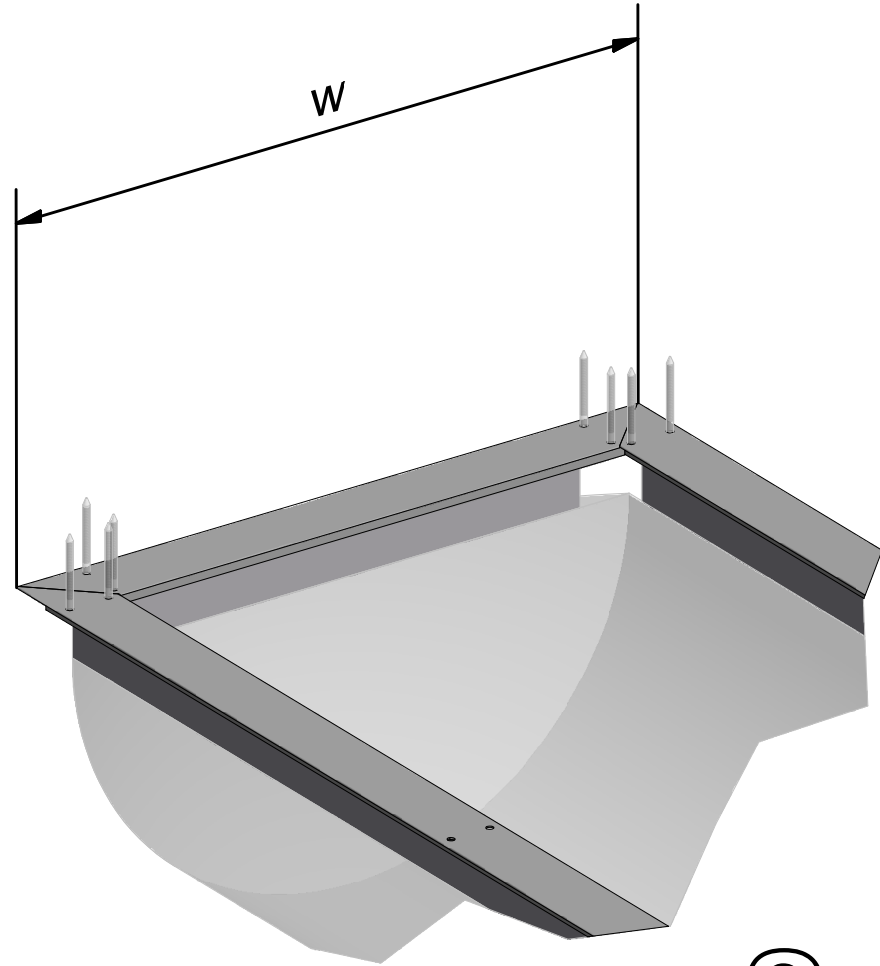
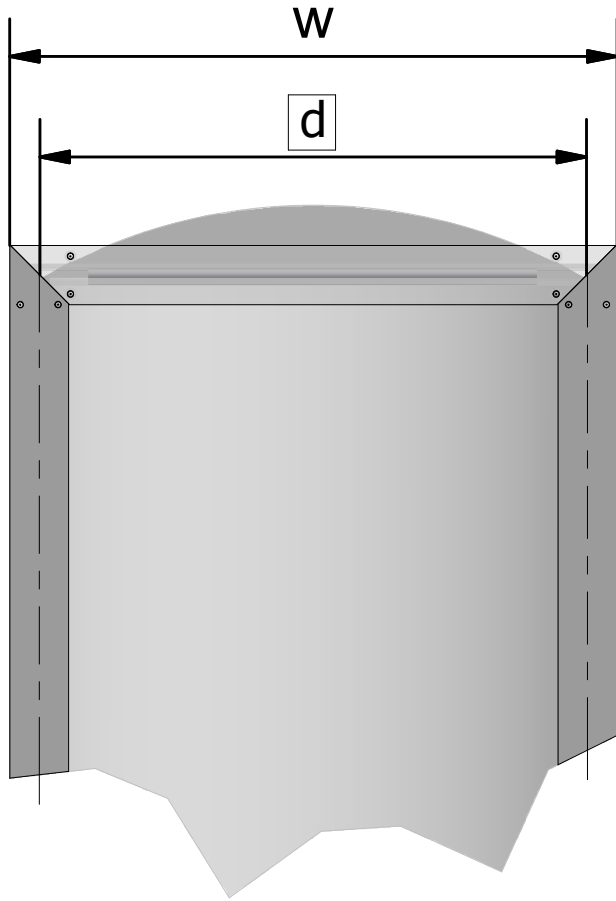
50mm [2"]

3

2

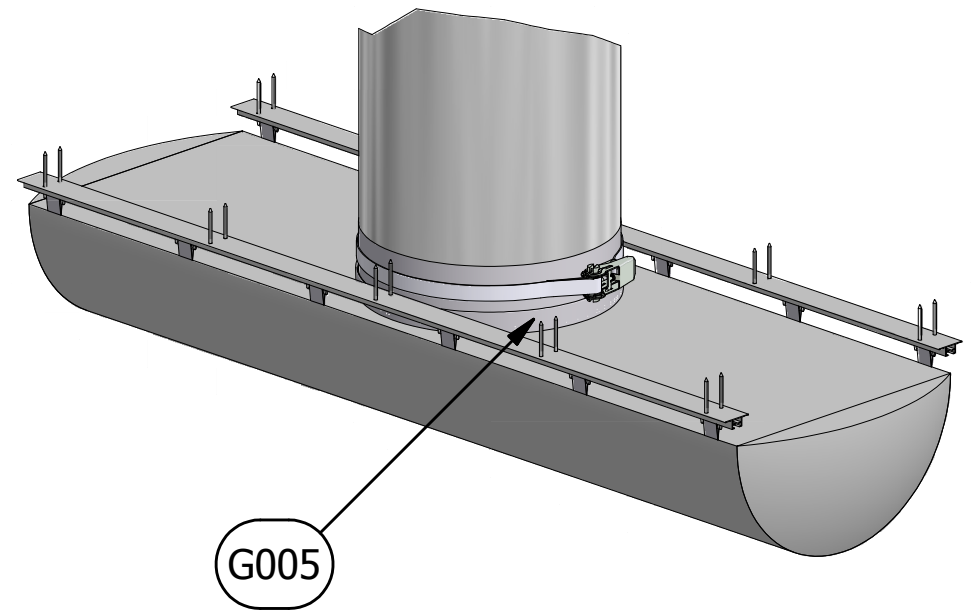
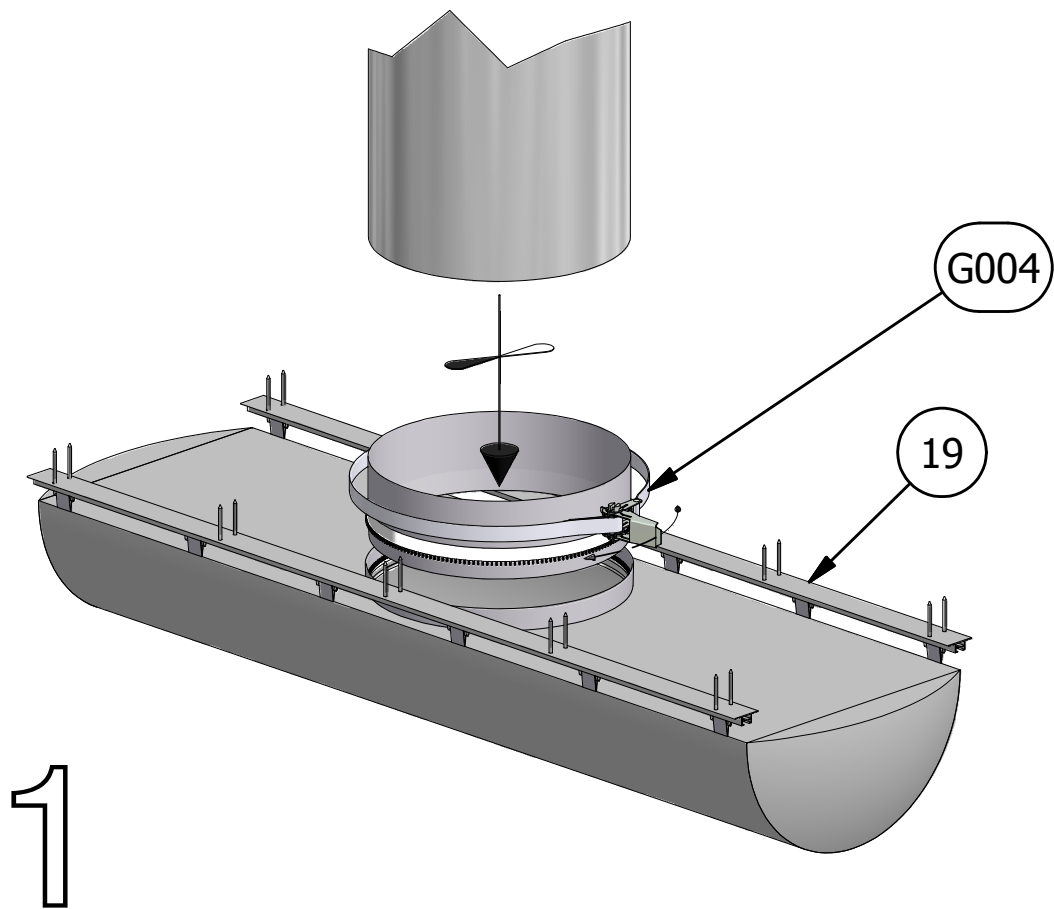
4

1

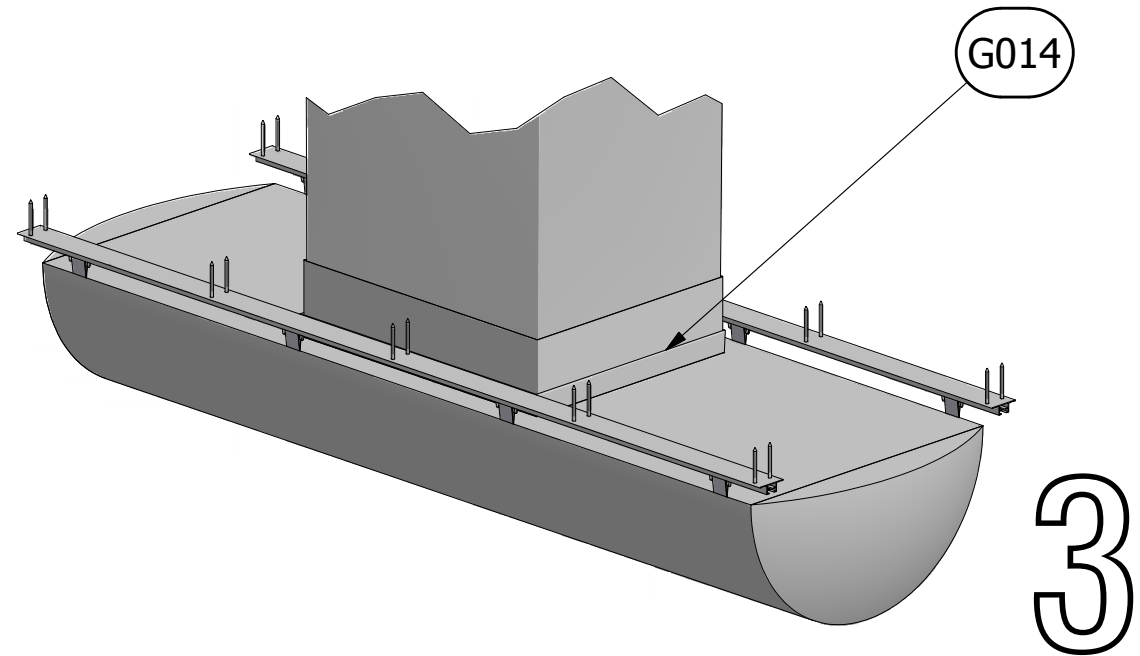
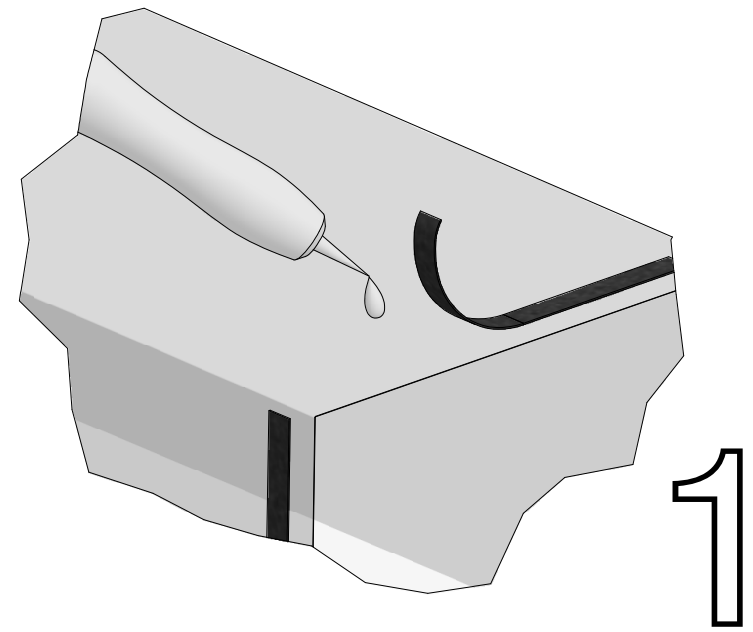
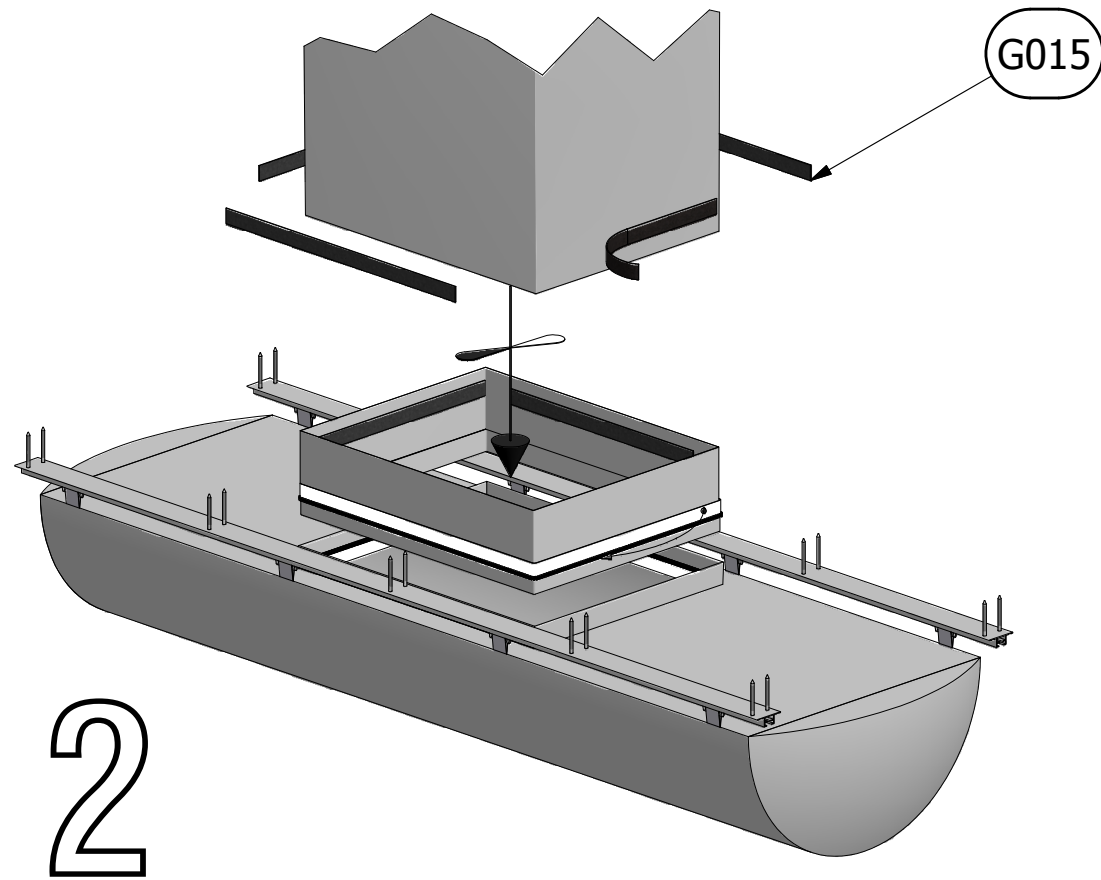


$$w = d + 50 \text{ mm [2"]}$$

2



2



FabricAir

ORDER NO : 1473677

CONTENTS OF BOX NO. 1/2:

INSTRUCTION BAG 1 pcs.

-Drawing Included 1 pcs.

Distribution Ducts

Tag no. 100.1 Inlet Ø 1060 x 100 2 pcs.

Tag no. 100.2 Inlet Ø 1060 x 2625 2 pcs.

Tag no. 100.5 Inlet Ø 500 x 1000 x 9330 2 pcs.

Suspensions

(05) STRETCHER M6 x 90,GV 12 pcs

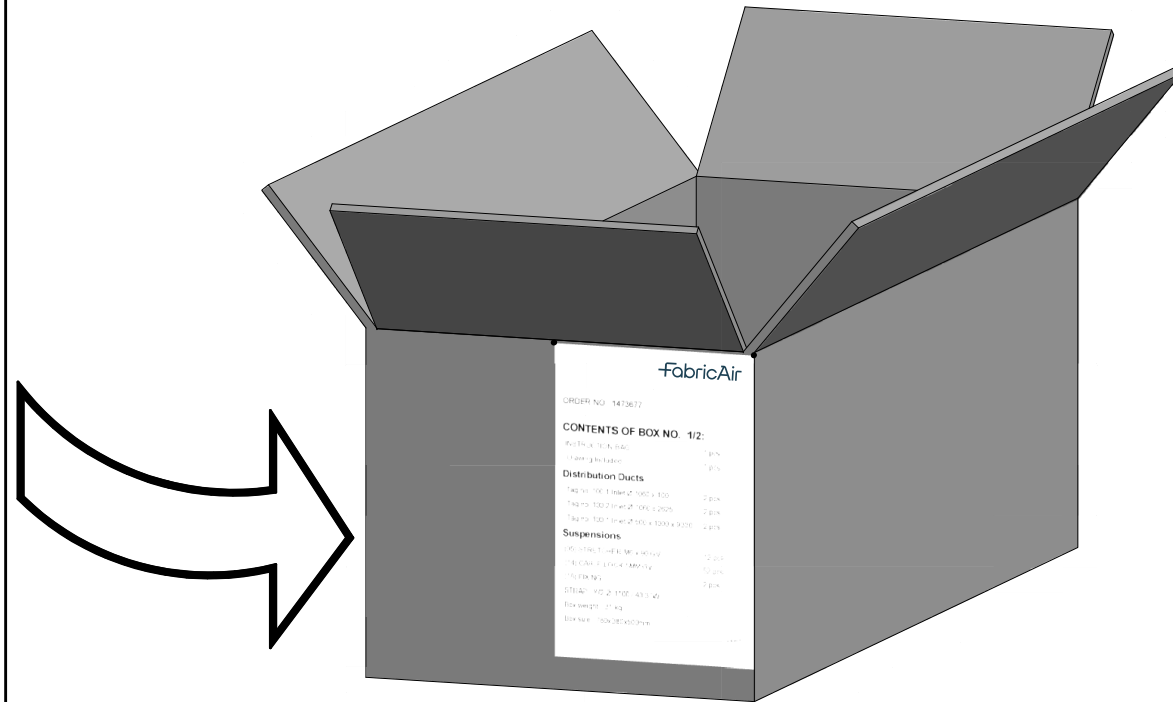
(14) CABLE LOCK 5MM,GV 52 pcs

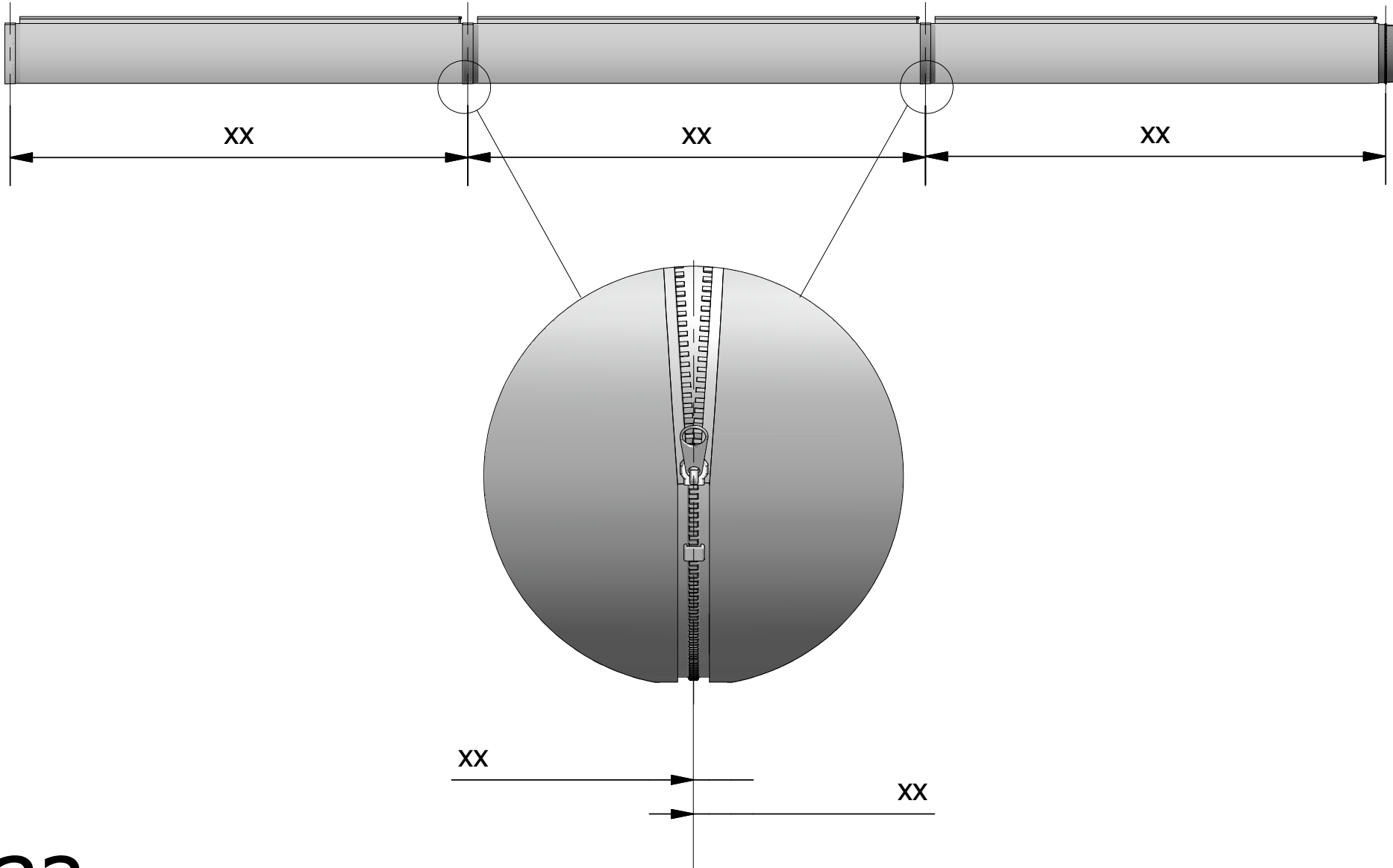
(18) FIXING 2 pcs

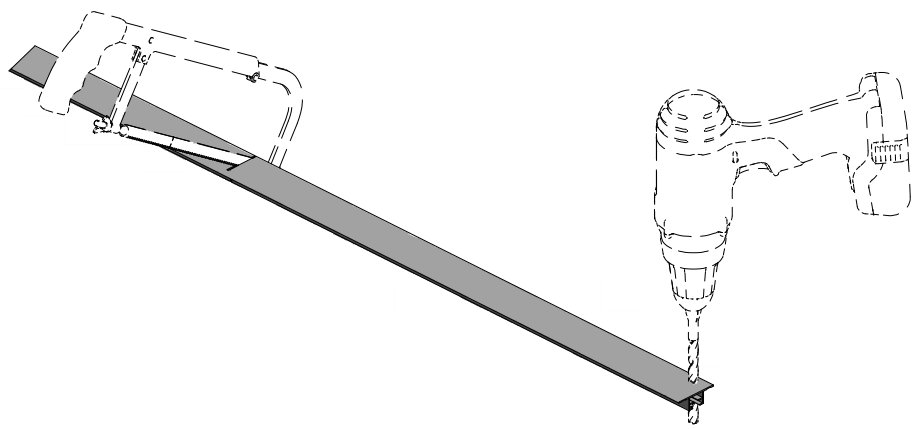
STRAP , Y/2 , Ø 1100 / 43.3 "W

Box weight : 31 kg

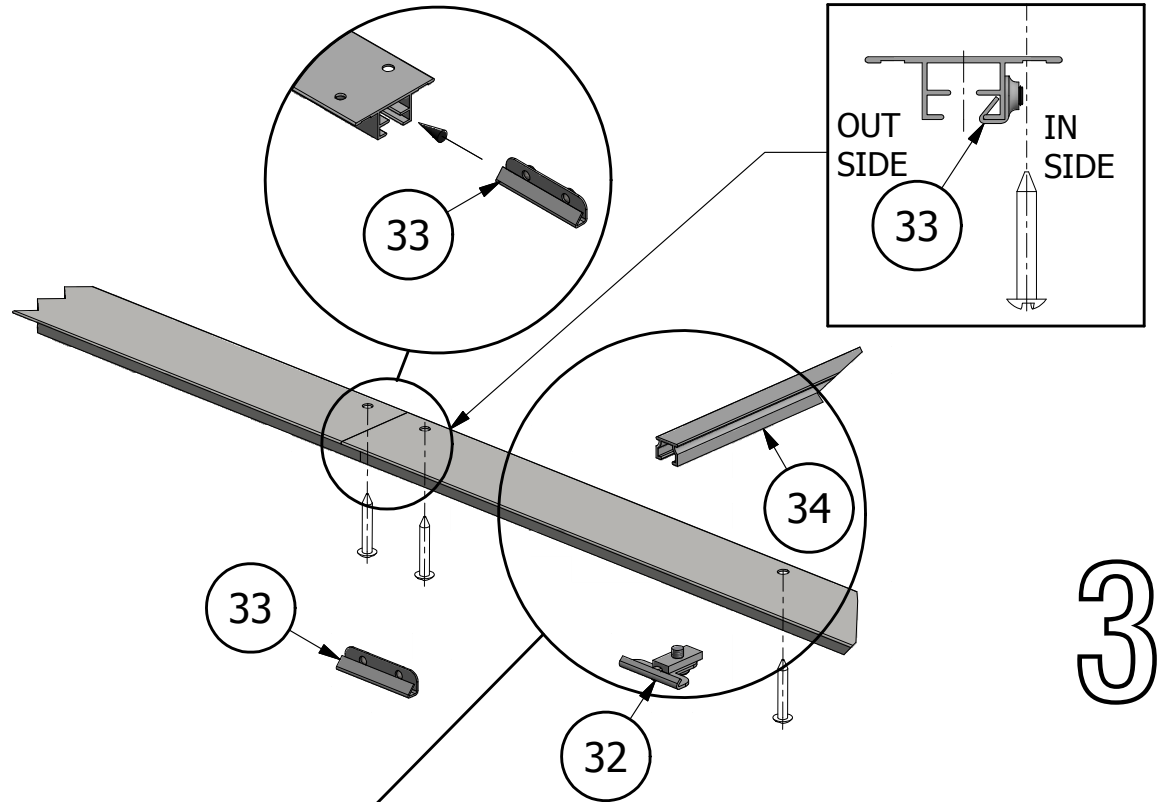
Box size : 780x380x500mm



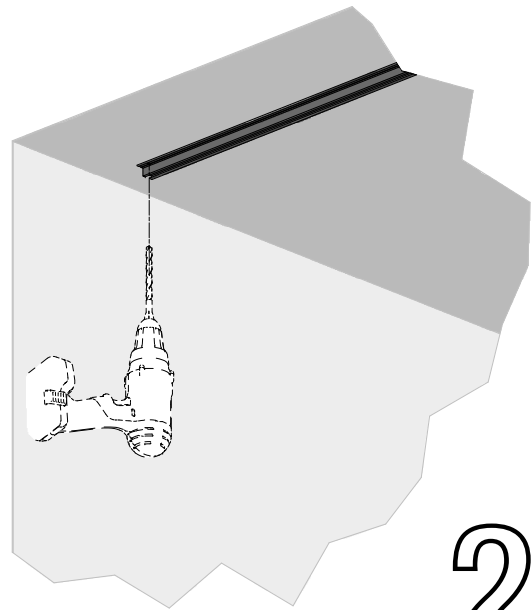




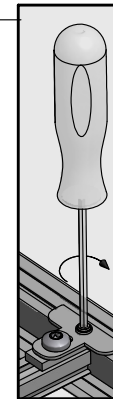
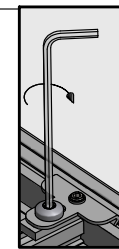
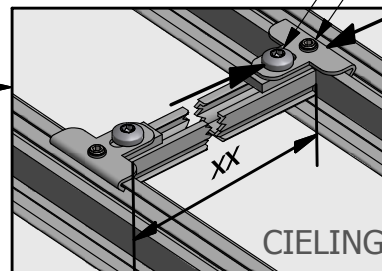
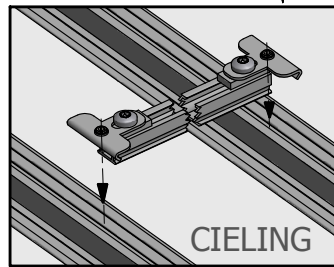
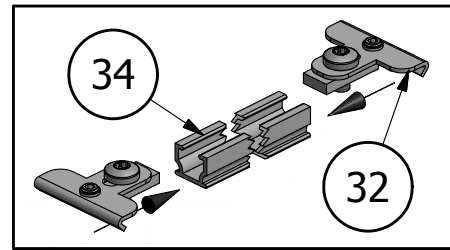
1



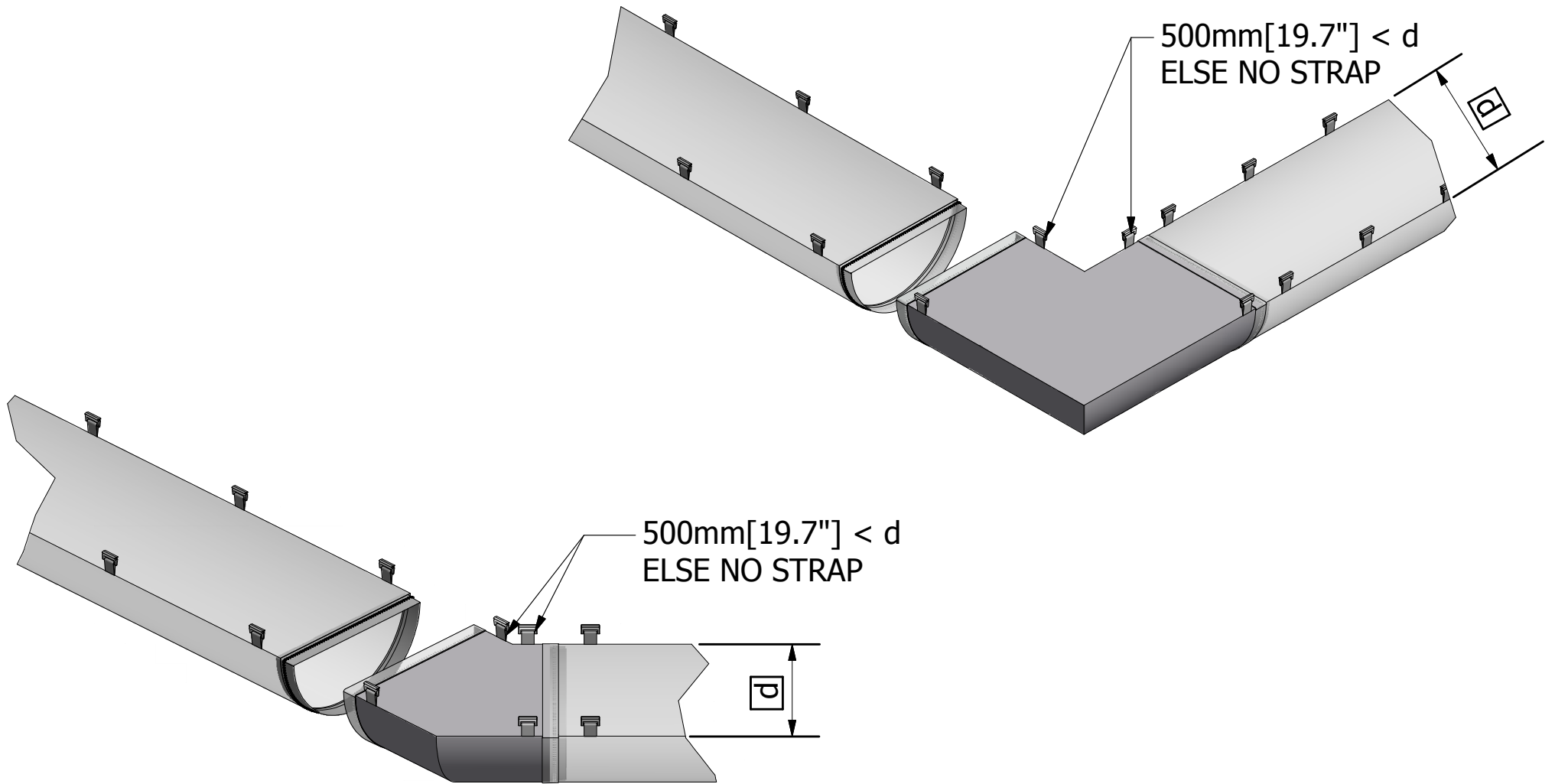
3

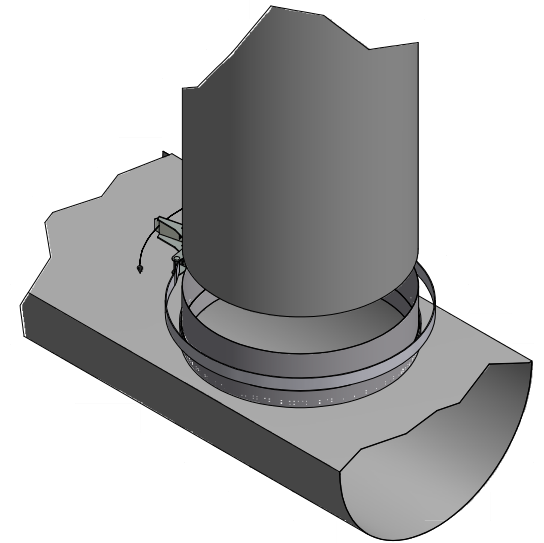
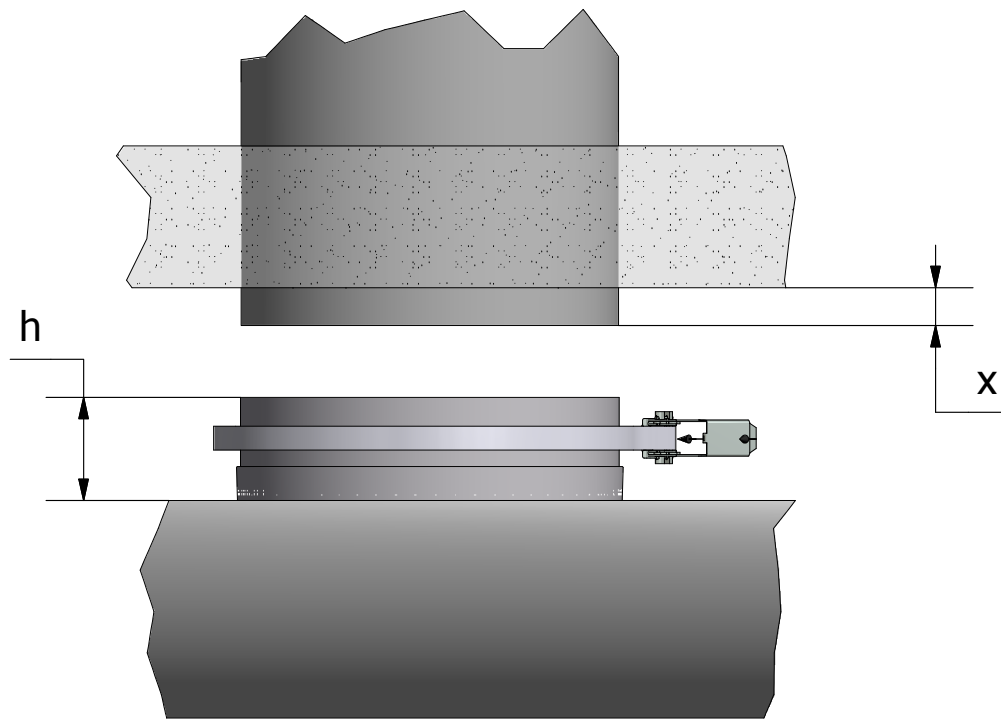


2



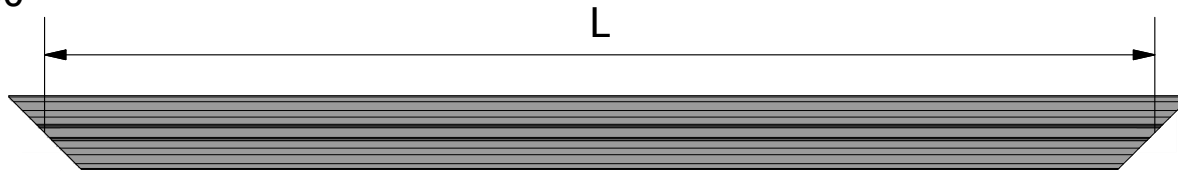
4



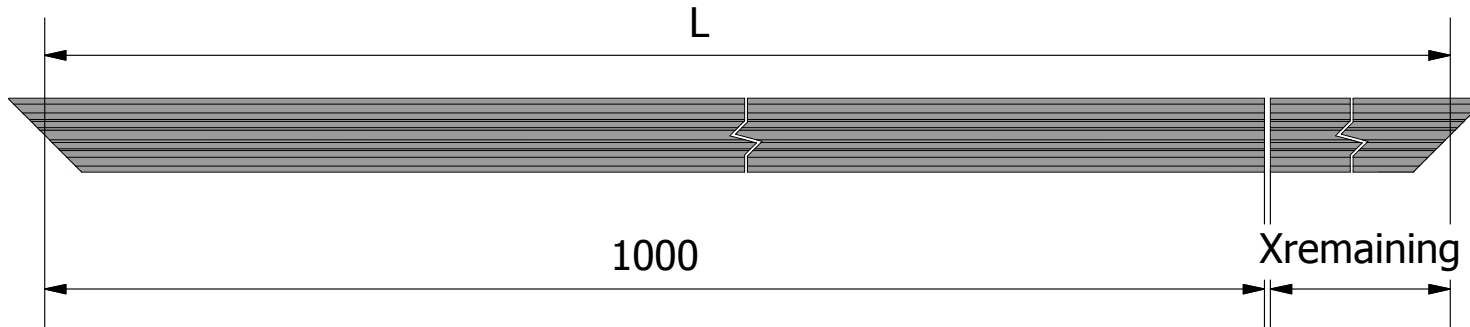


$$40\text{mm}[1.6"] \leq x \leq h$$

I. $L \leq 1950$

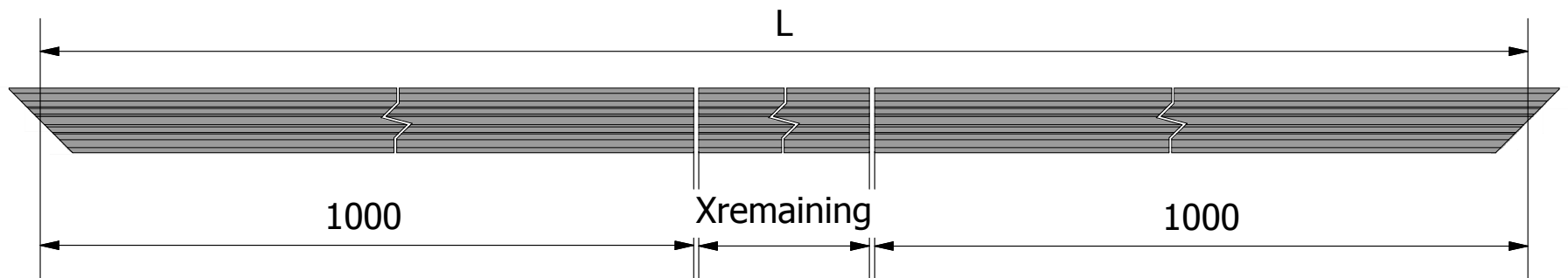


II. $1950 \leq L < 2000$



$$X_{\text{remaining}} = L - 1000$$

III. $L > 2000$



$$X_{\text{remaining}} = L - (2 \times 1000)$$