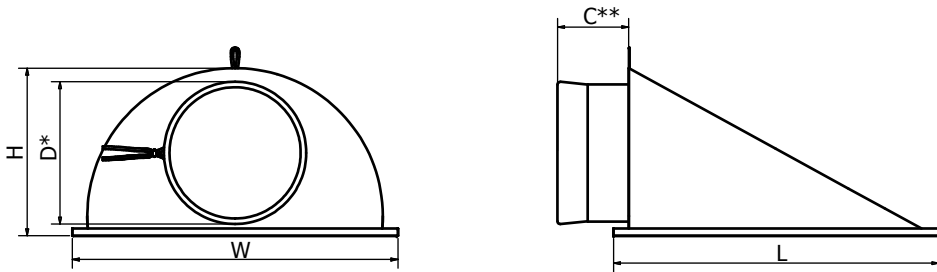
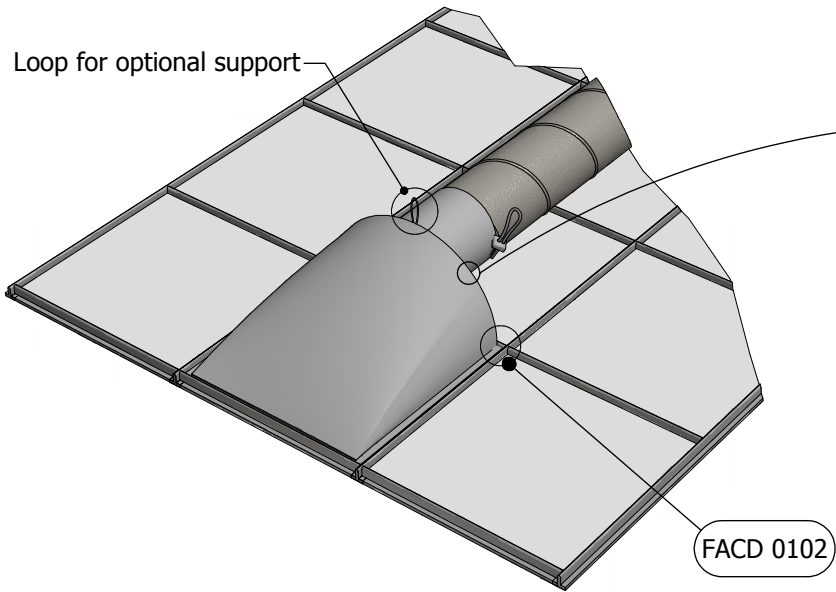


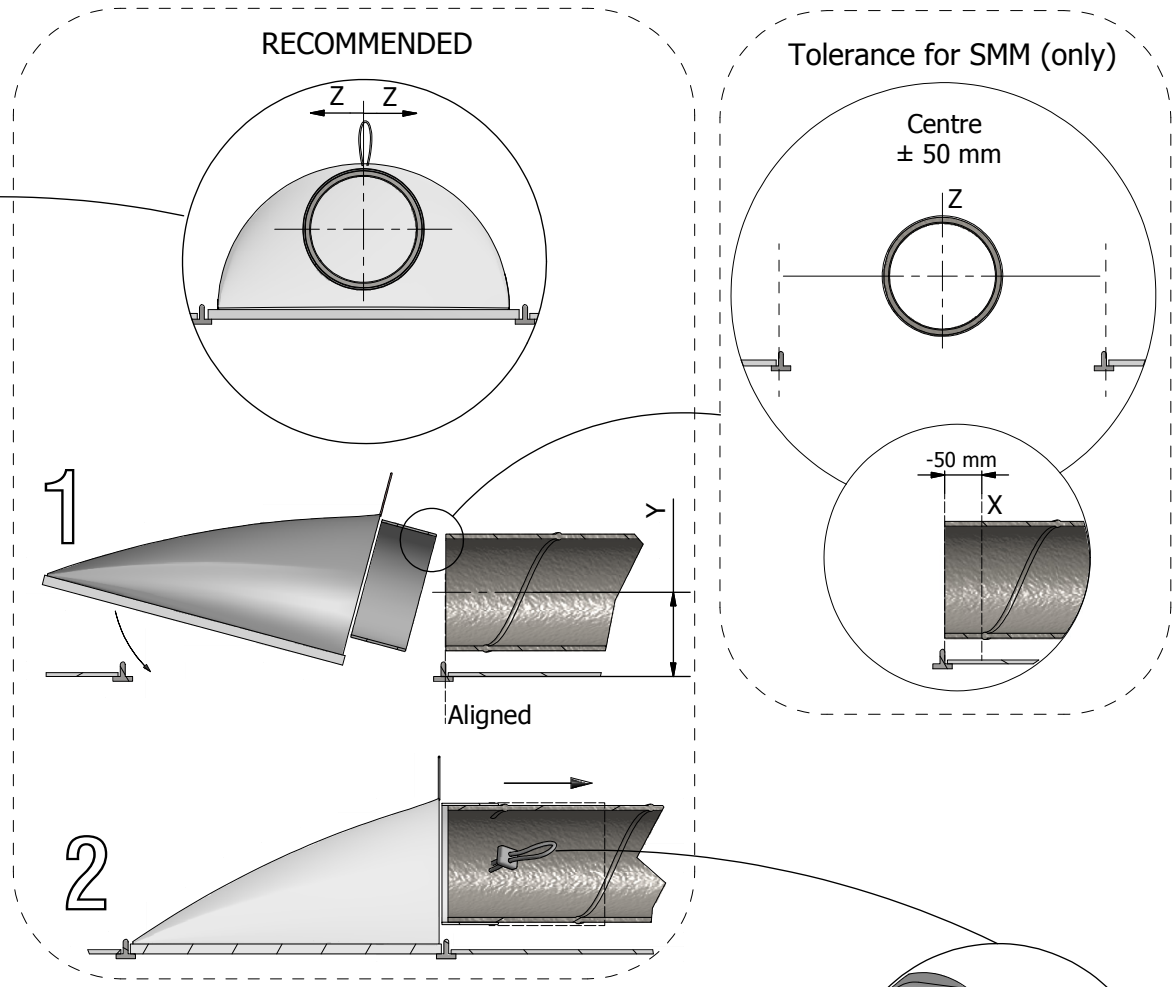
Ø 125 mm - 250 mm, Solid ducts, SMM EPM



	Size	W (mm)	L (mm)	H (mm)	D* (mm)	C** (mm)	m (kg)
SMM EPM	600 x 600	595	595	300	260	205	1,7
	600 x 1200	595	1195	300	260	205	2,8
	1200 x 600	1195	595	300	260	205	2,8

* Fits for duct sizes Ø125-250 mm by adjusting the strap lock.

** Length of the connection sleeve when fully extended. Length decreases with the size of the duct when connected. Smaller duct diameter results in a shorter length of the connection sleeve." (left the disclaimer out)



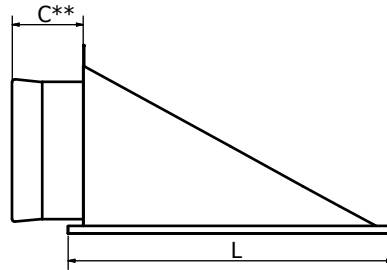
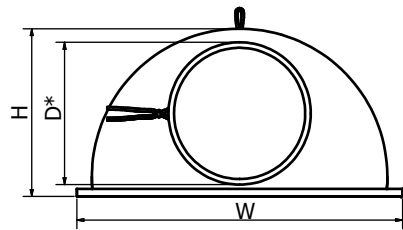
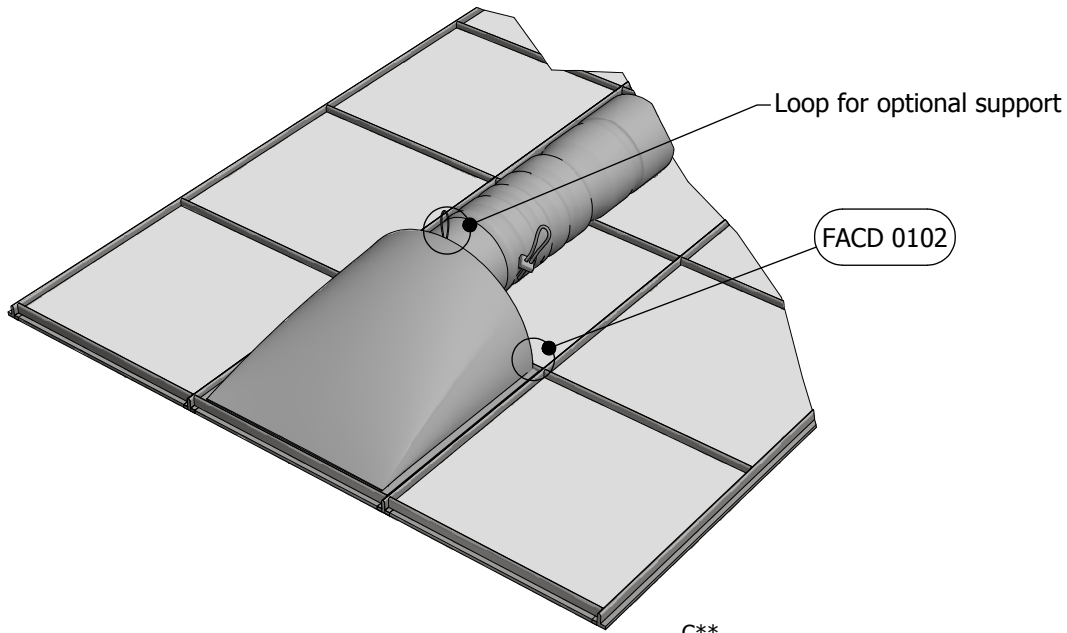
Unit	Duct placement	X	Y	Z
SMM	Recommended	Aligned	160 mm (Ø < 250 mm)	centred
			175 mm (Ø = 250 mm)	
	Tolerance	-50 mm (max)	Recommended ± 50 mm	
EPM	Recommended	Aligned	160 mm (Ø < 250 mm)	centred
			175 mm (Ø = 250 mm)	

SMM
EPM

FACD 0103

FabricAir Ceiling Diffuser Drop-in for solid ducts
2006-0103-000 (2021-JUN)

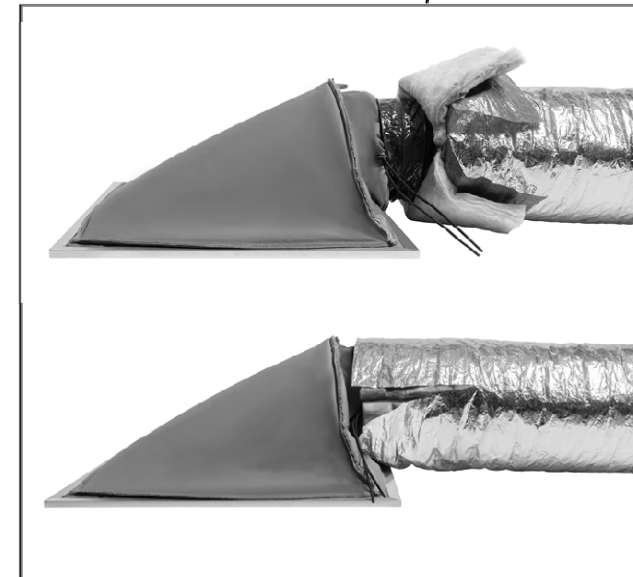
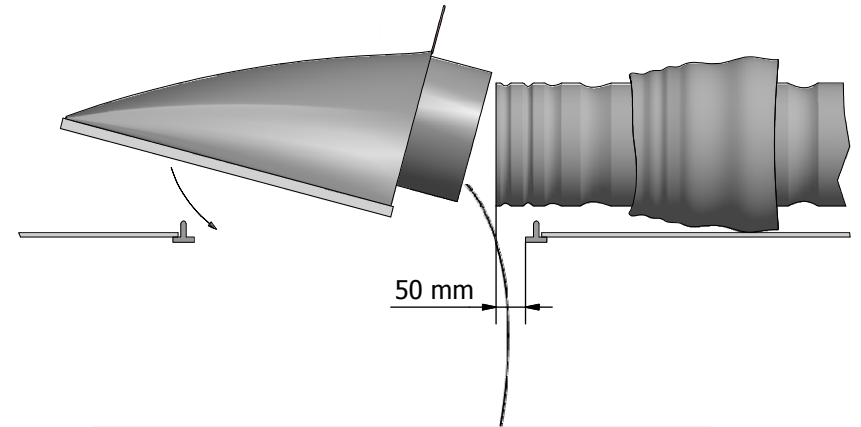
Ø 125 mm - 250 mm, Flexible ducts, SMM EPM



	Size	W (mm)	L (mm)	H (mm)	D* (mm)	C** (mm)	m (kg)
SMM EPM	600 x 600	595	595	300	260	110	1,7
	600 x 1200	595	1195	300	260	110	2,8
	1200 x 600	1195	595	300	260	110	2,8

* Fits for duct sizes Ø125-250 mm by adjusting the strap lock.

** Length of the connection sleeve when fully extended. Length decreases with the size of the duct when connected. Smaller duct diameter results in a shorter length of the connection sleeve."
(left the disclaimer out)

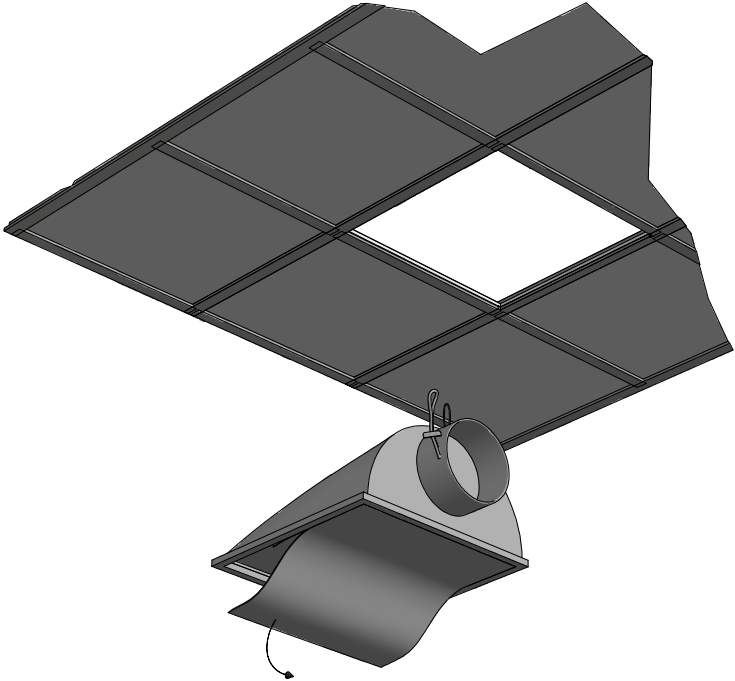


**SMM
EPM**

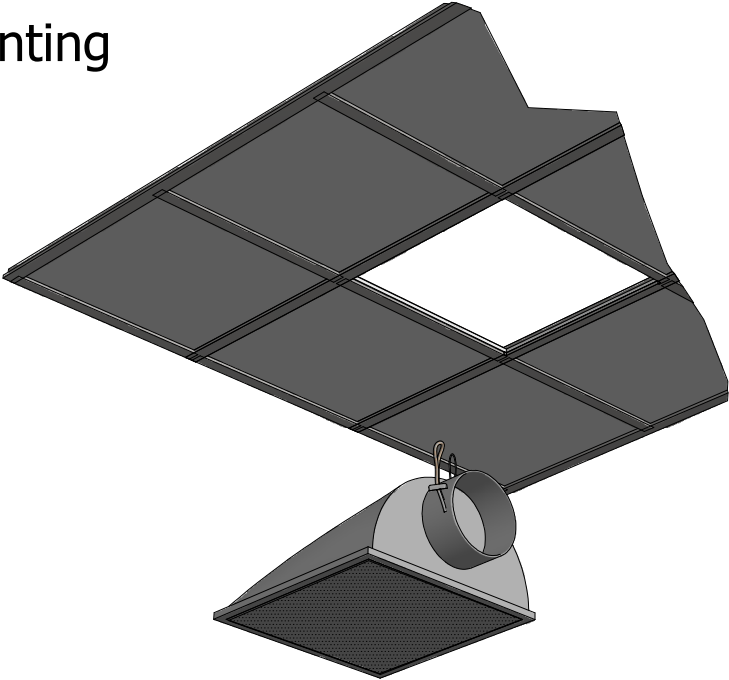
FACD 0106

FabricAir Ceiling Diffuser Drop-in for flexible ducts
2006-0106-000 (2021-JUN)

Dismantling



Mounting



Start insreting here at the side of the label

