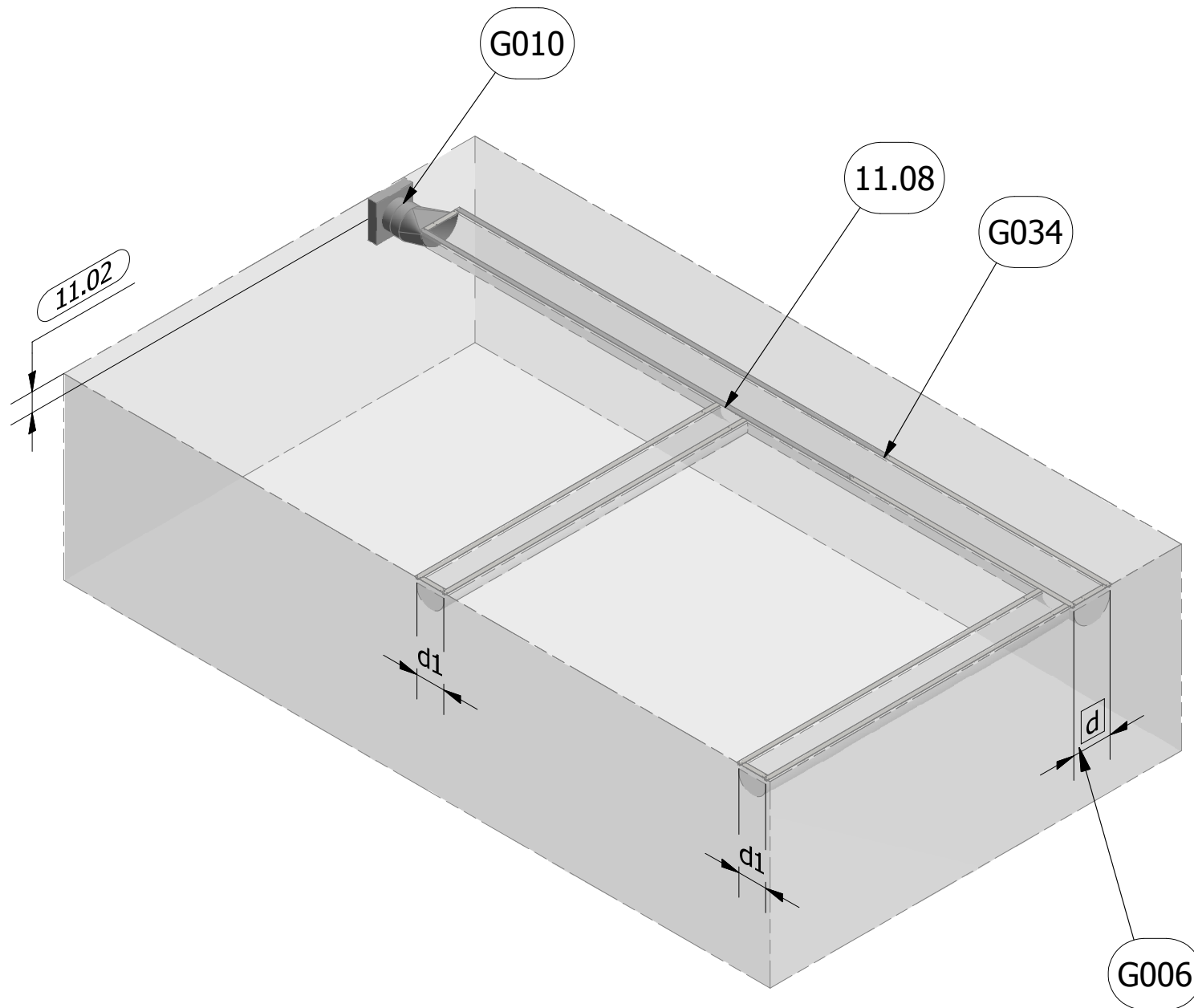
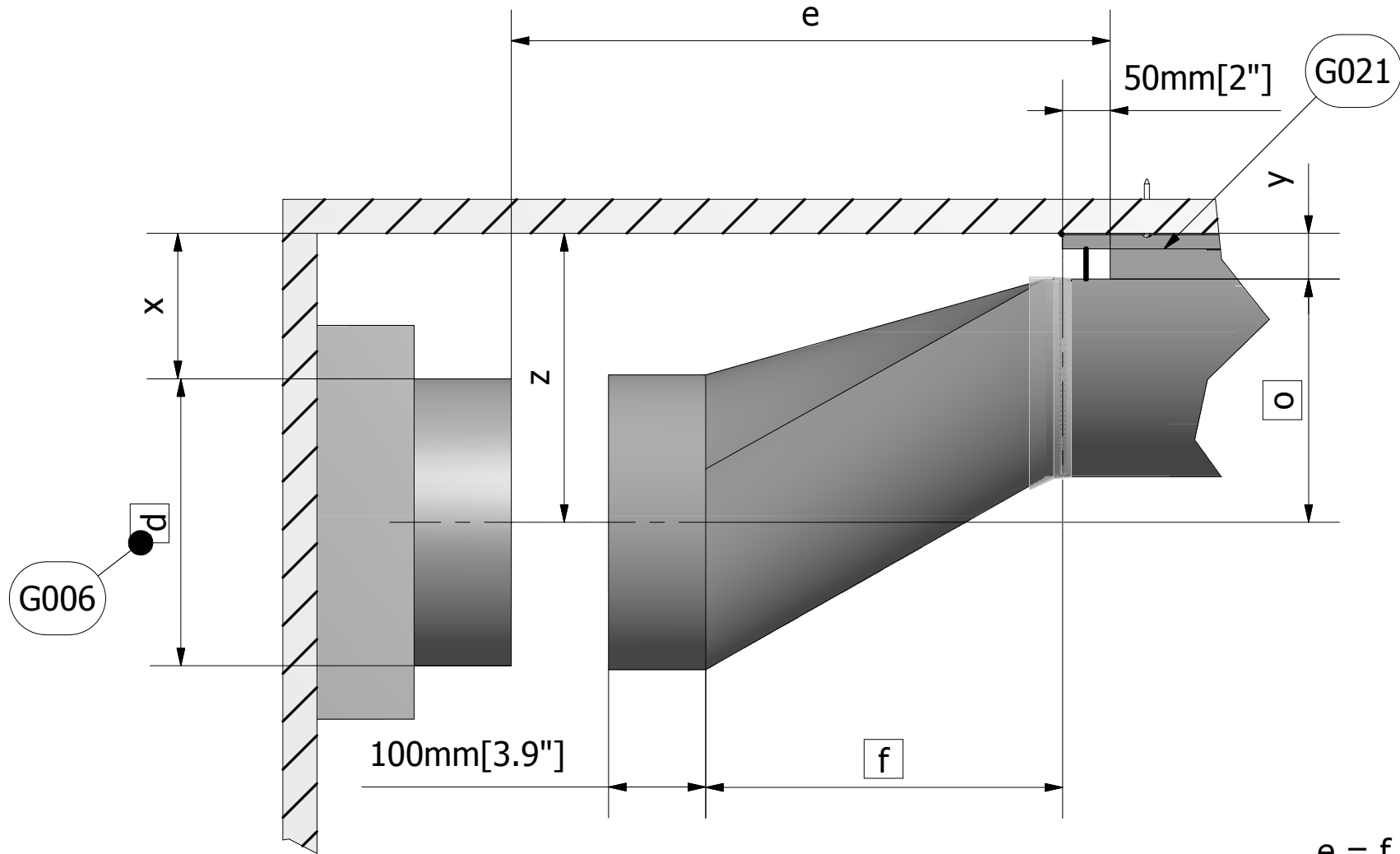


11.01

Type 11, Standard Parts
FabricAir® Installation Drawing
2003-1101-000 (2020-MAR)





$$e = f + 50 \text{ mm [2"]}$$

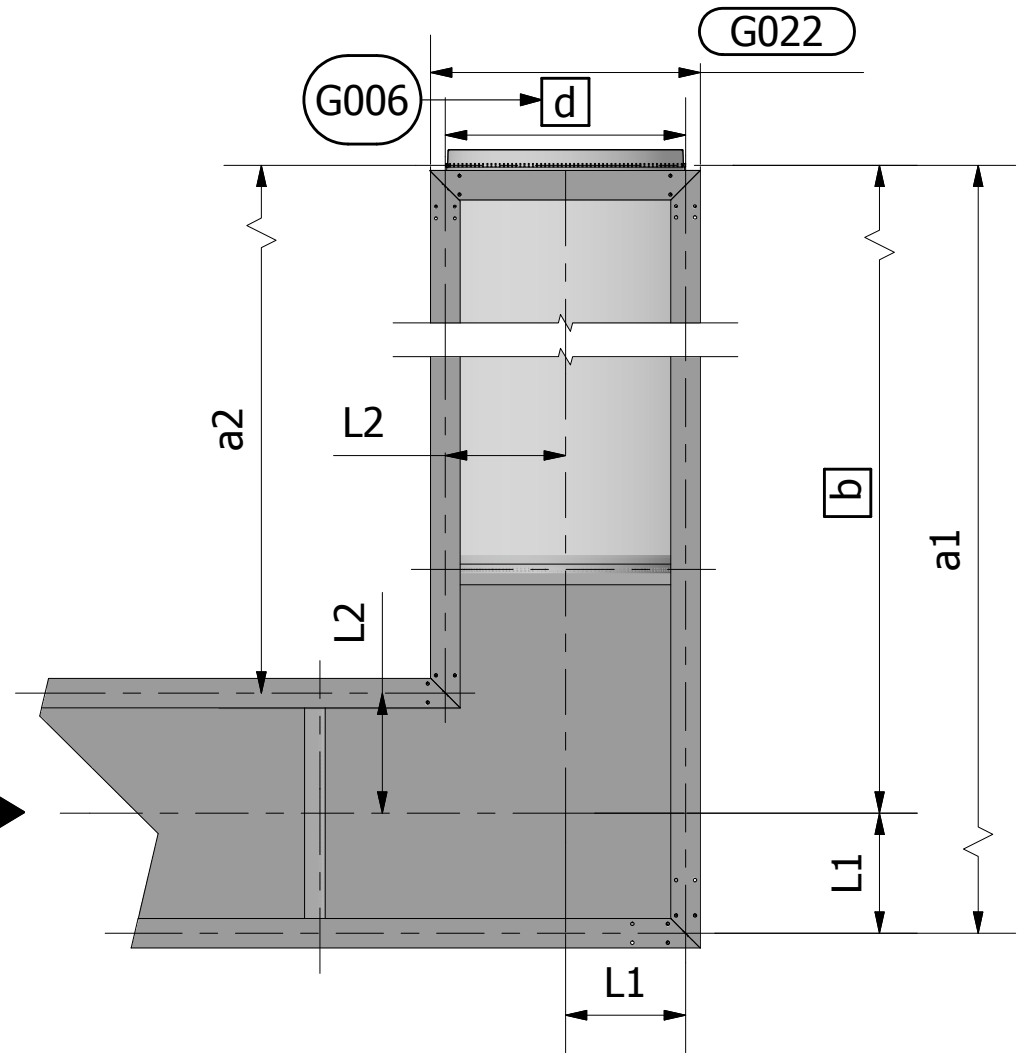
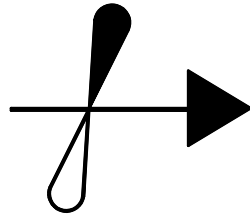
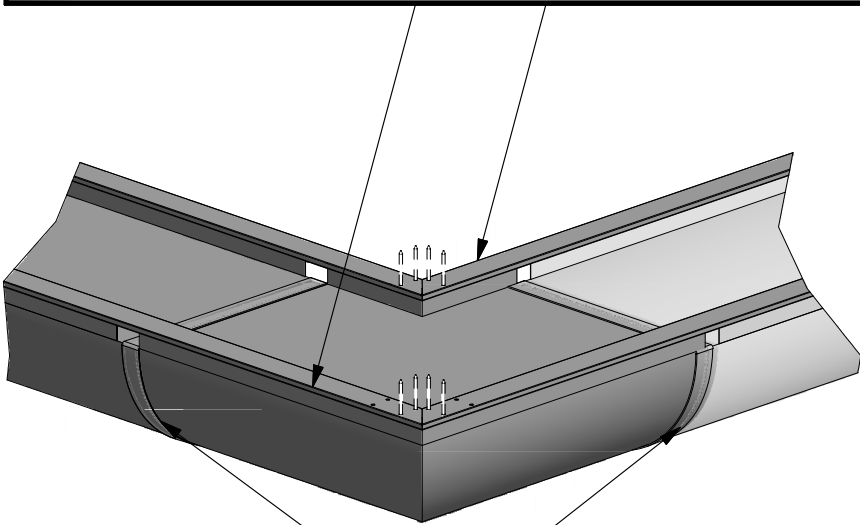
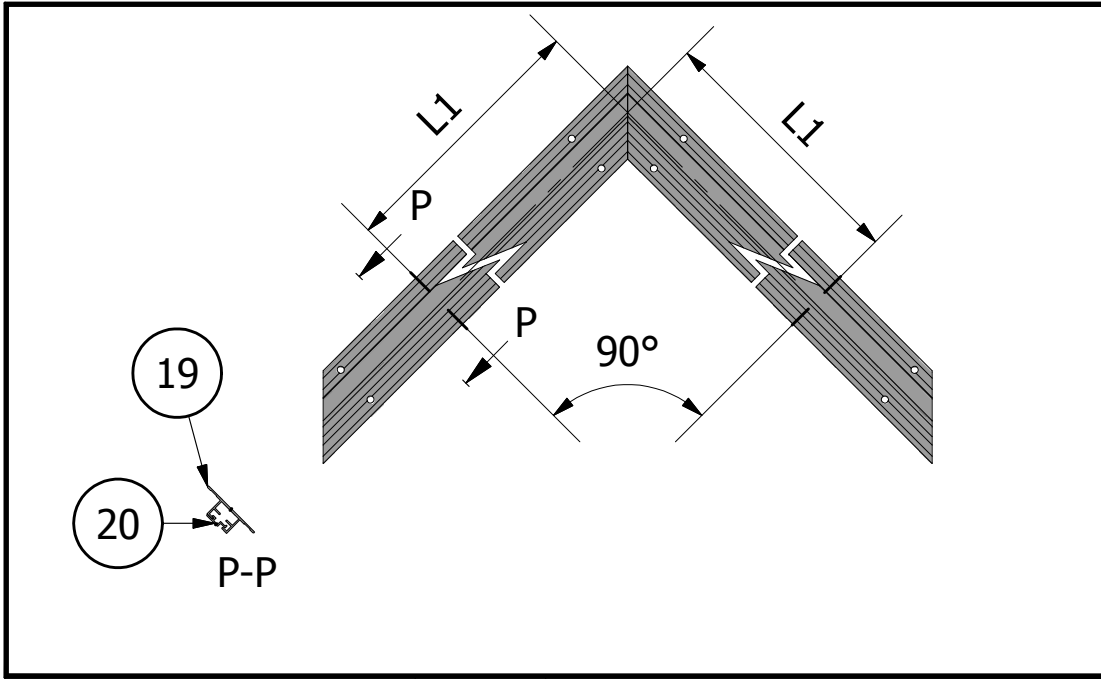
$$z = x + \frac{1}{2} d$$

$$z = o + y$$

$$y = 30 \text{ mm [1.18"]}$$

11.02

Type 11
 FabricAir® Installation Drawing
 2003-1102-000 (2017-JAN)



$$a1 = b + L1$$

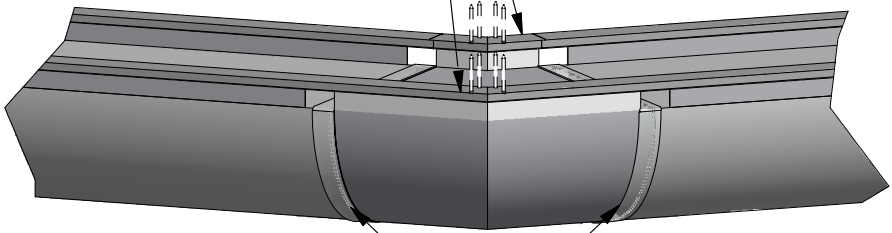
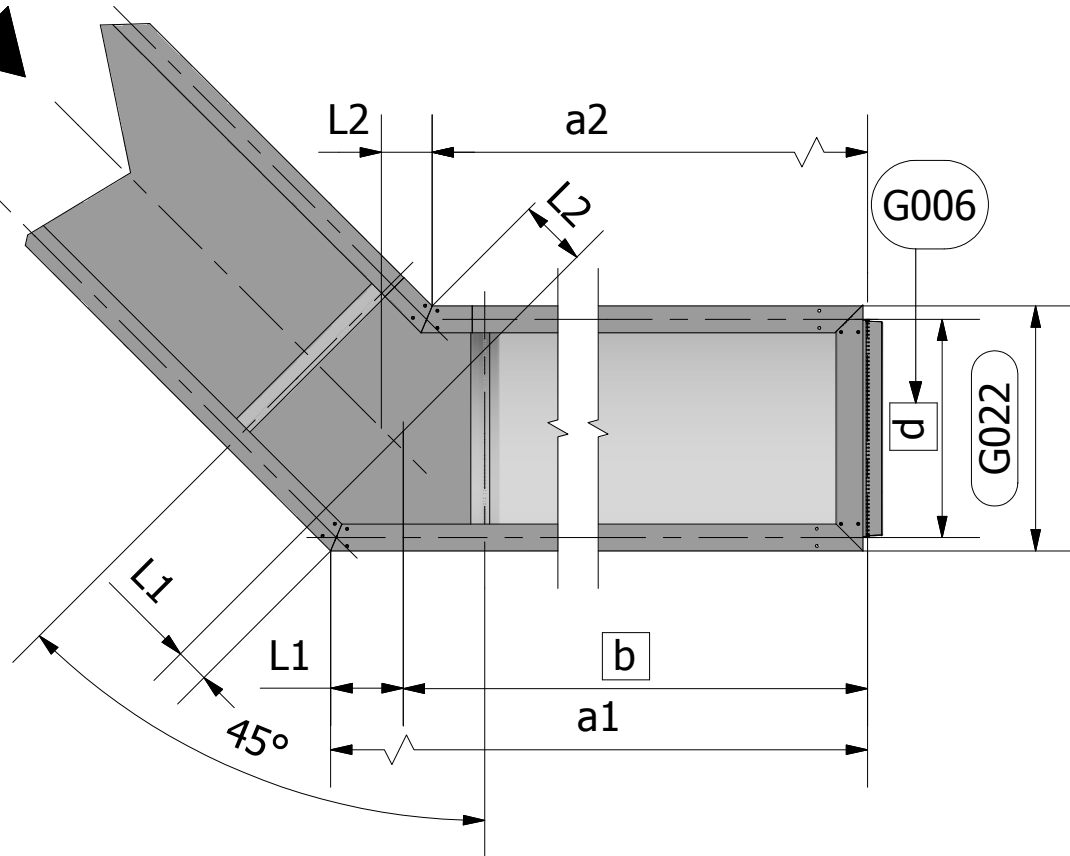
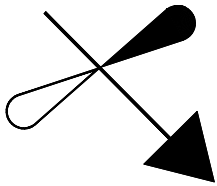
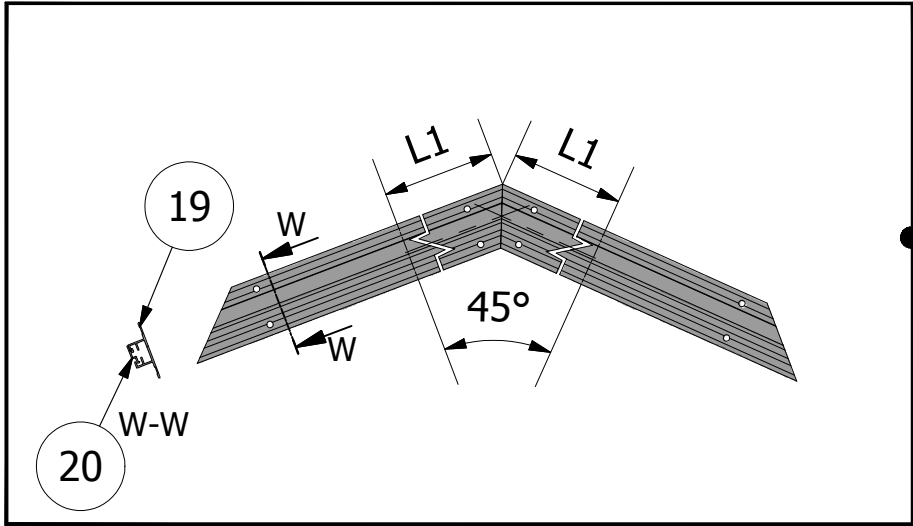
$$a2 = b - L2$$

$$L1 = L2$$

$$L1 = \frac{1}{2}d$$

11.03

Type 11
FabricAir® Installation Drawing
2003-1103-000 (2014-FEB)



G014

$$a1 = b + L1$$

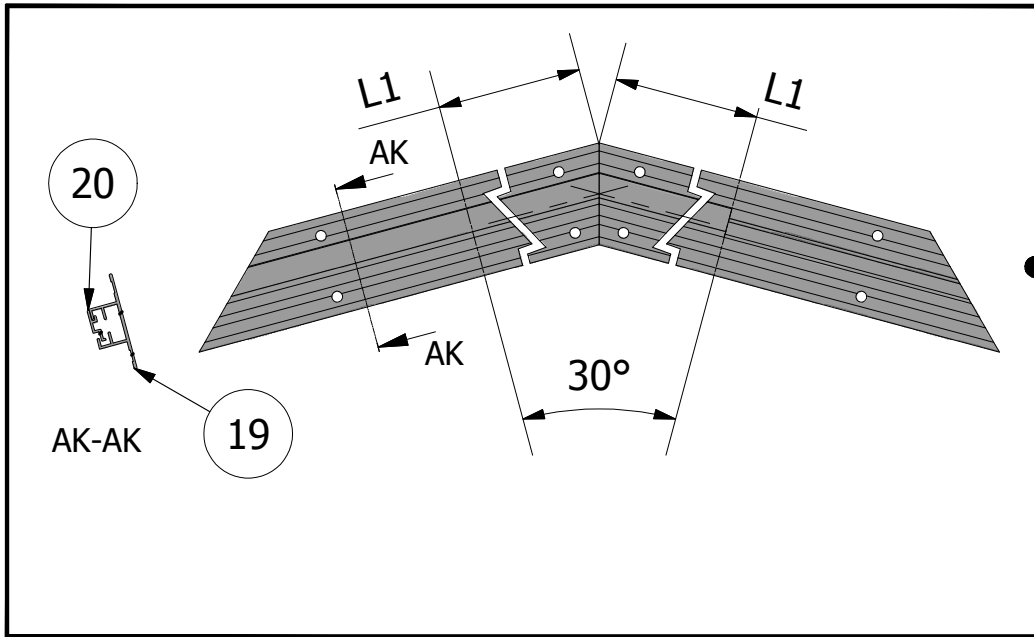
$$a2 = b - L2$$

$$L1 = L2$$

$$L1 \rightarrow 11.23$$

11.04

Type 11
 FabricAir® Installation Drawing
 2003-1104-000 (2014-FEB)

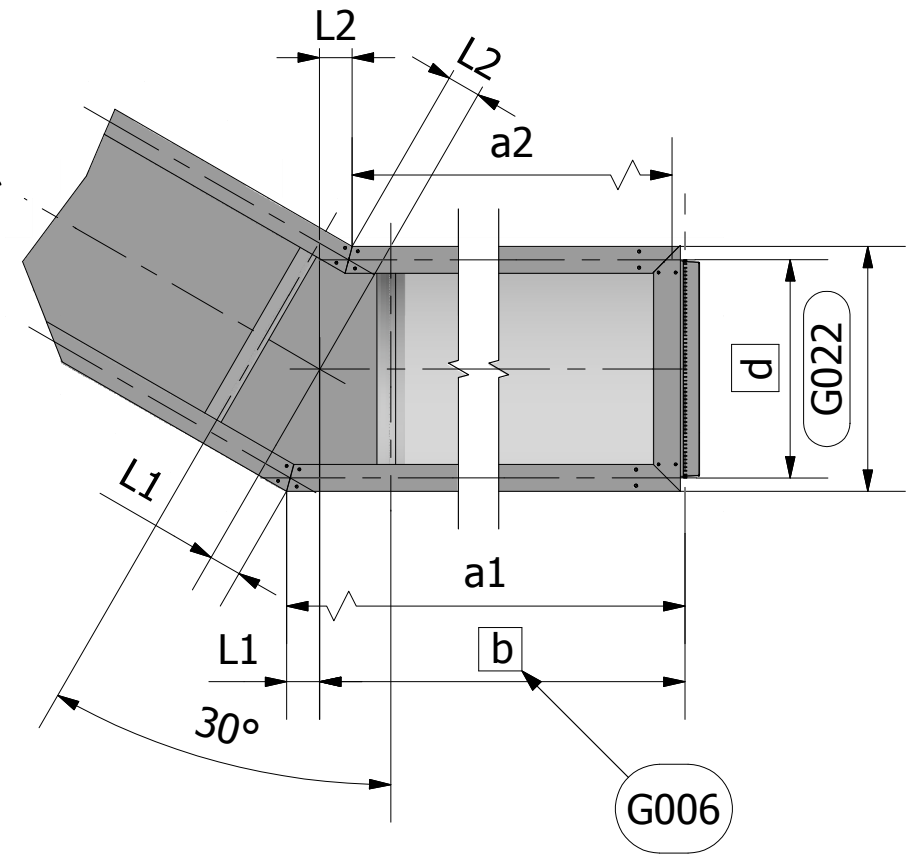
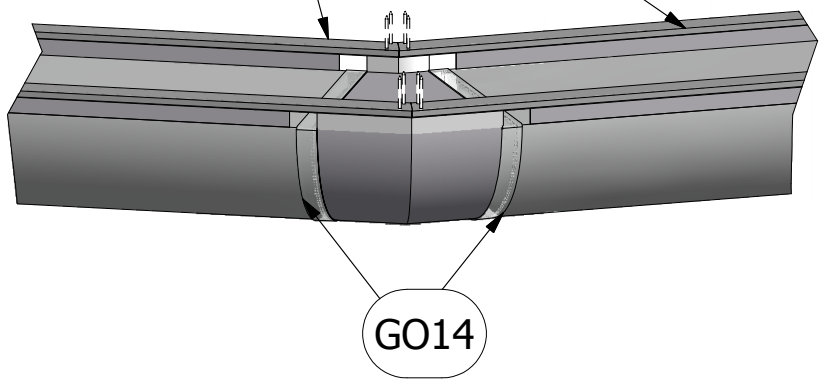
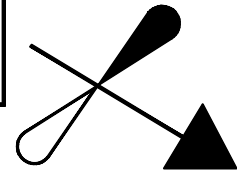


$$a1 = b + L1$$

$$a2 = b - L2$$

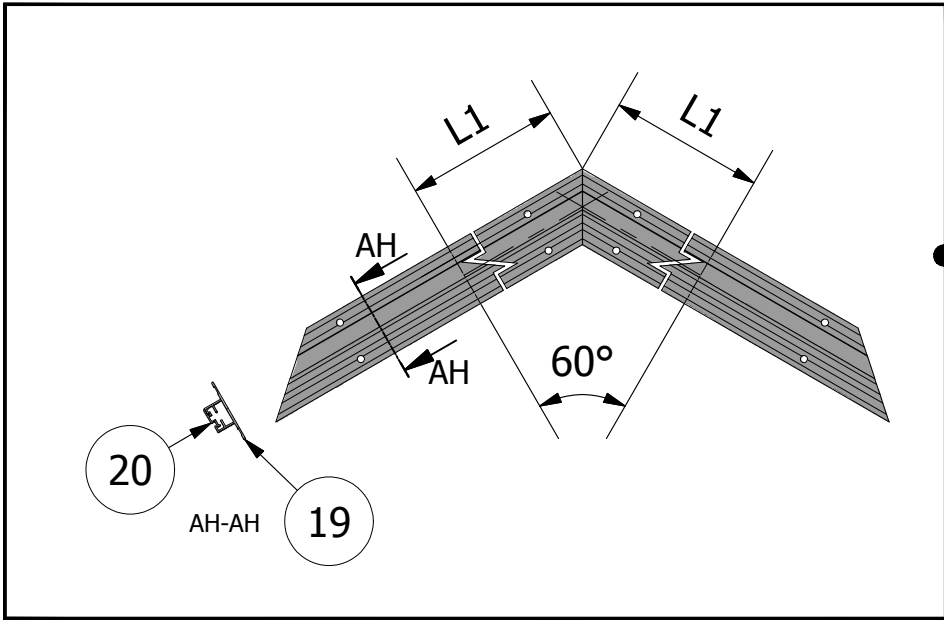
$$L1 = L2$$

$$L1 \rightarrow 11.24$$

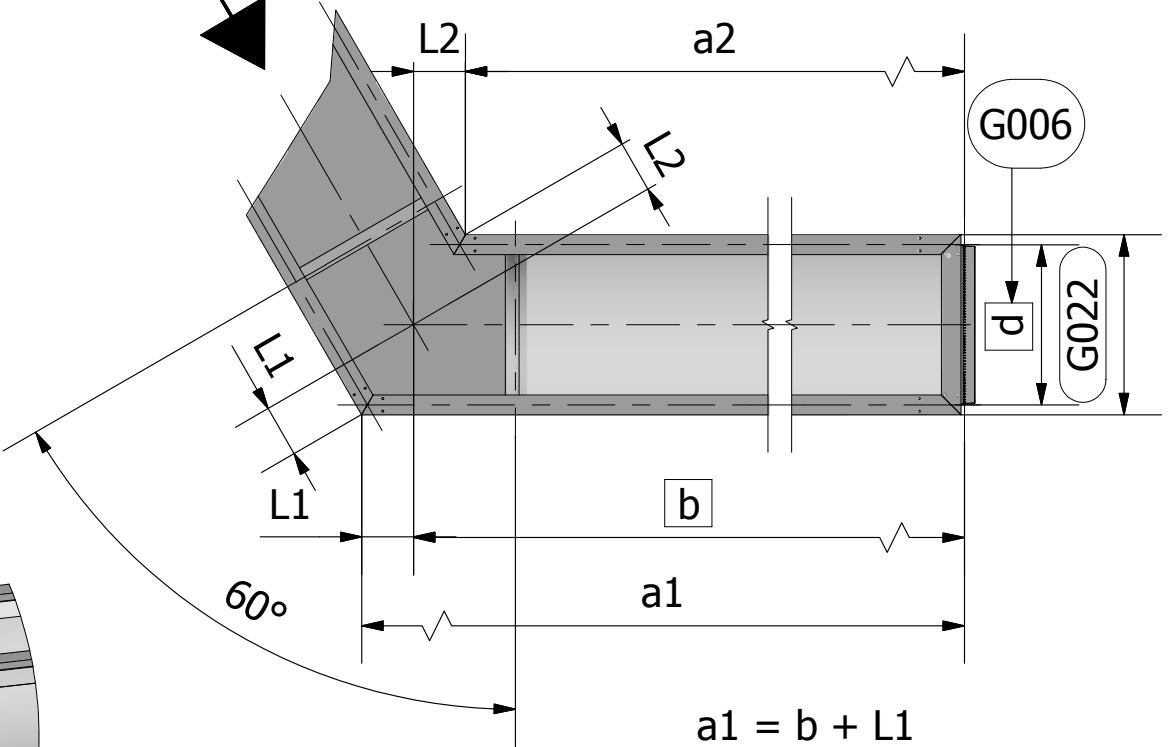
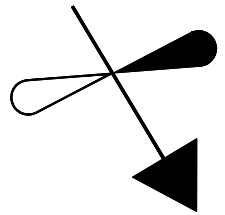


11.05

Type 11
 FabricAir® Installation Drawing
 2003-1105-000 (2014-FEB)

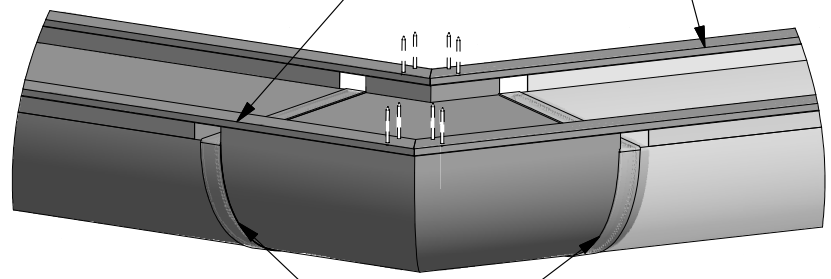


11.25



G006

G022



G014

$$a1 = b + L1$$

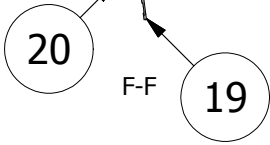
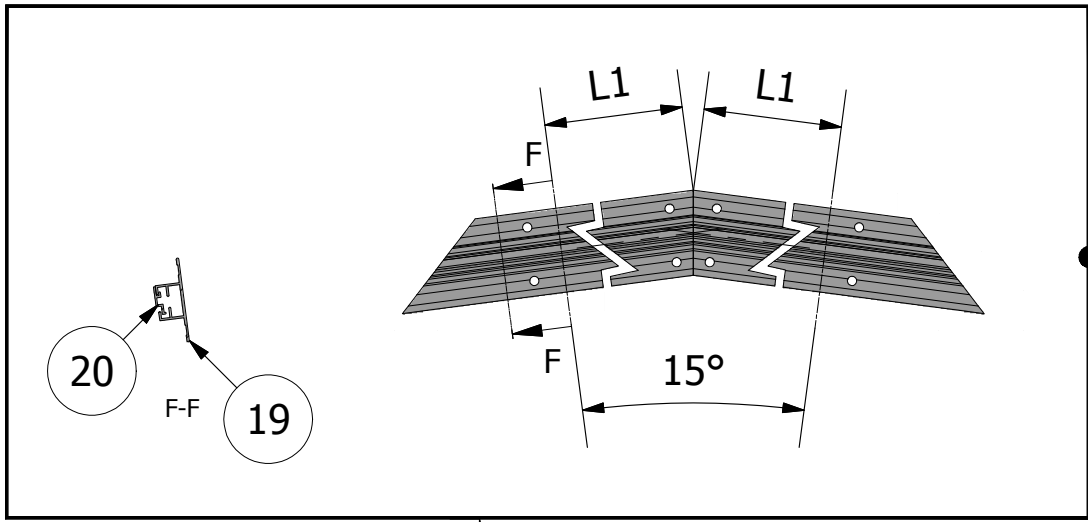
$$a2 = b - L2$$

$$L1 = L2$$

$$L1 \rightarrow 11.25$$

11.06

Type 11
FabricAir® Installation Drawing
2003-1106-000 (2014-FEB)

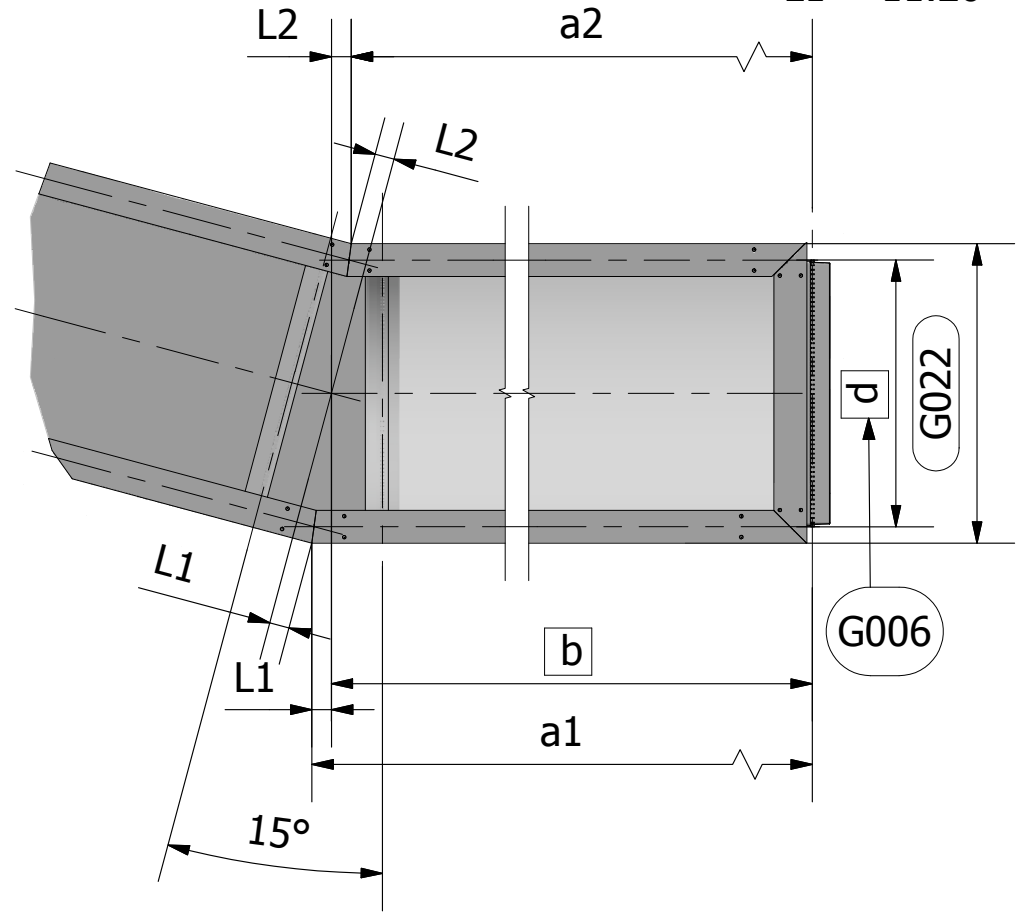
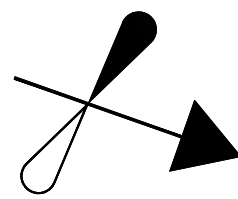
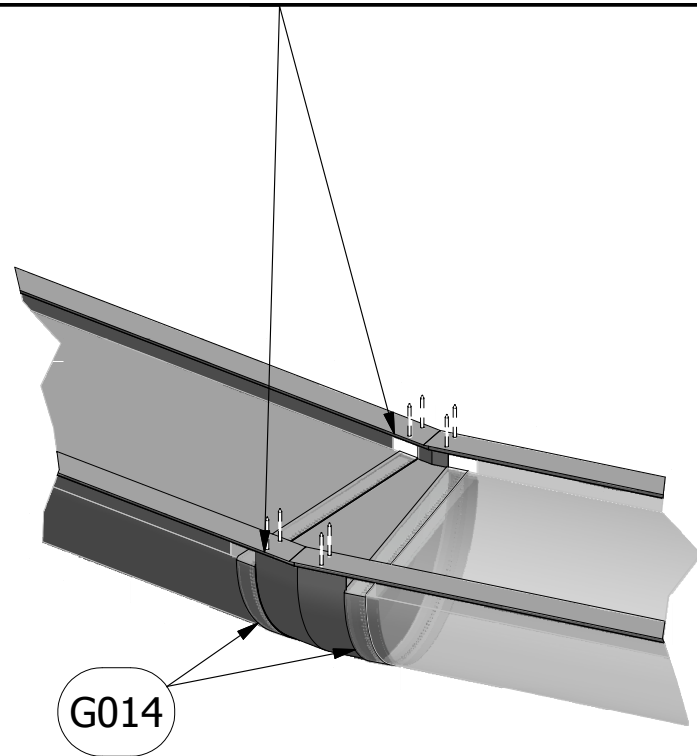


$$a1 = b + L1$$

$$a2 = b - L2$$

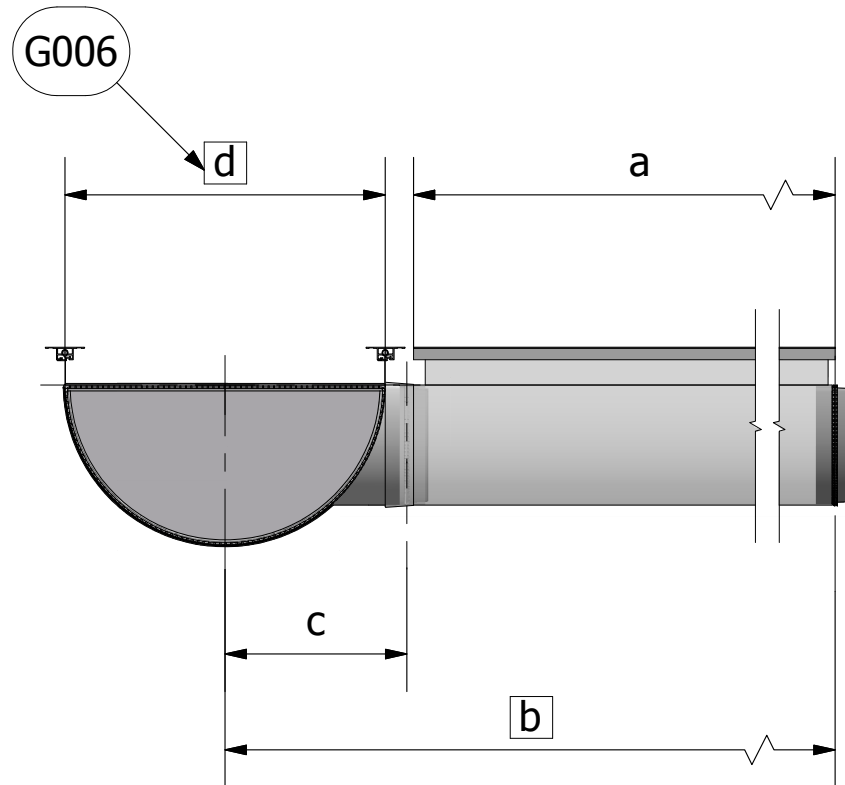
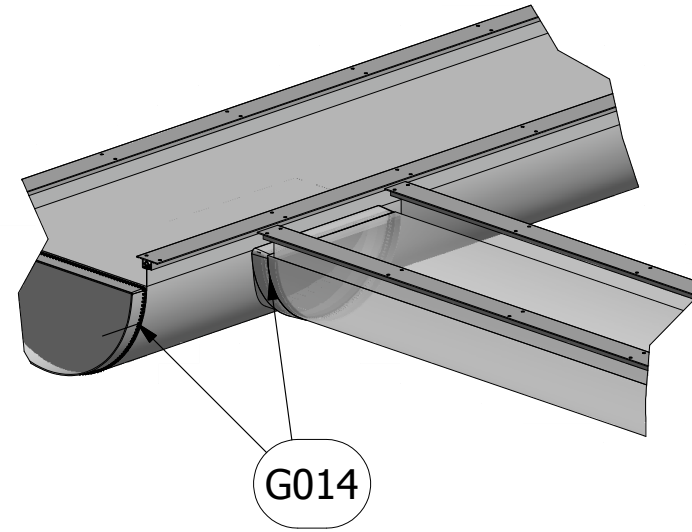
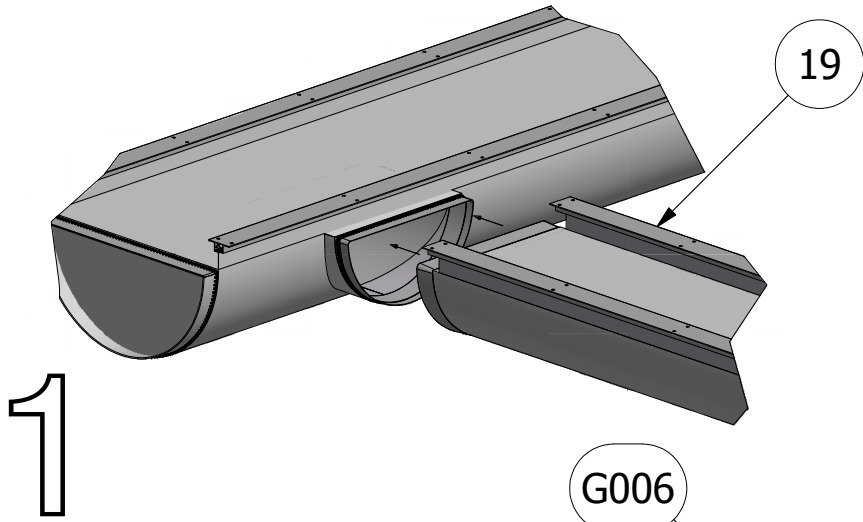
$$L1 = L2$$

$$L1 \rightarrow 11.26$$



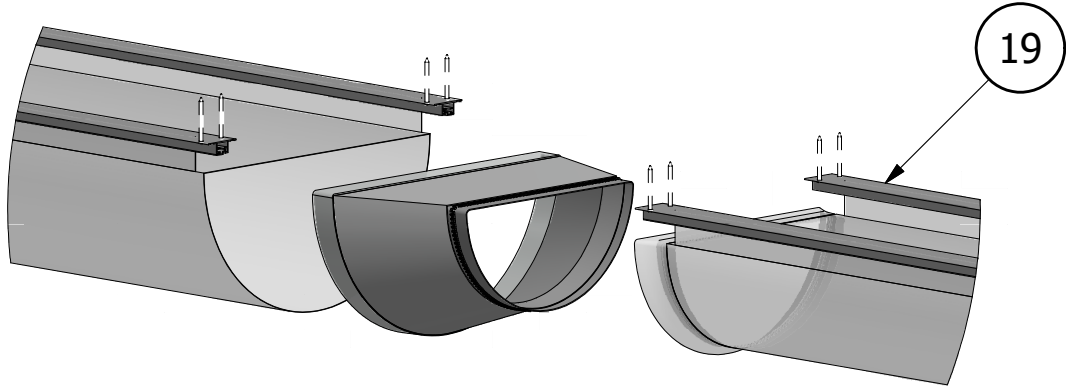
11.07

Type 11
FabricAir® Installation Drawing
2003-1107-000 (2014-FEB)

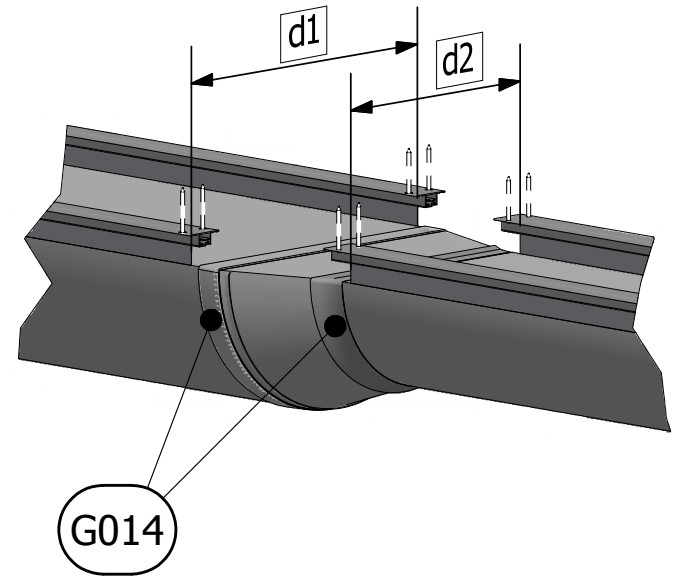


$$c = \frac{1}{2}d + 30 \text{ mm}[1.18"]$$

$$a = b - (\frac{1}{2}d + 35\text{mm}[1.37"])$$



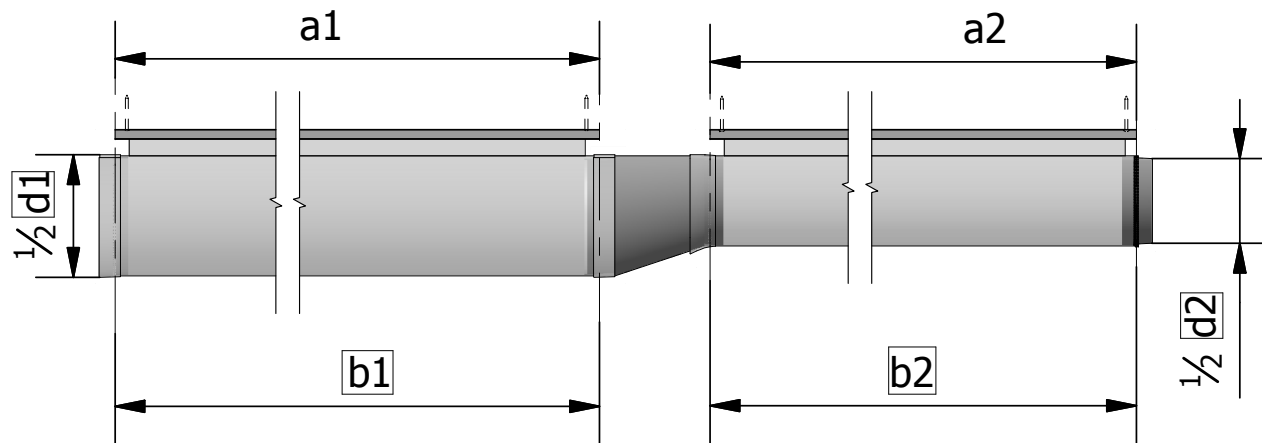
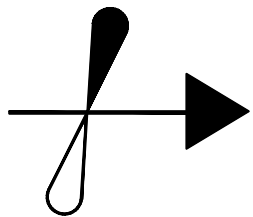
1



2

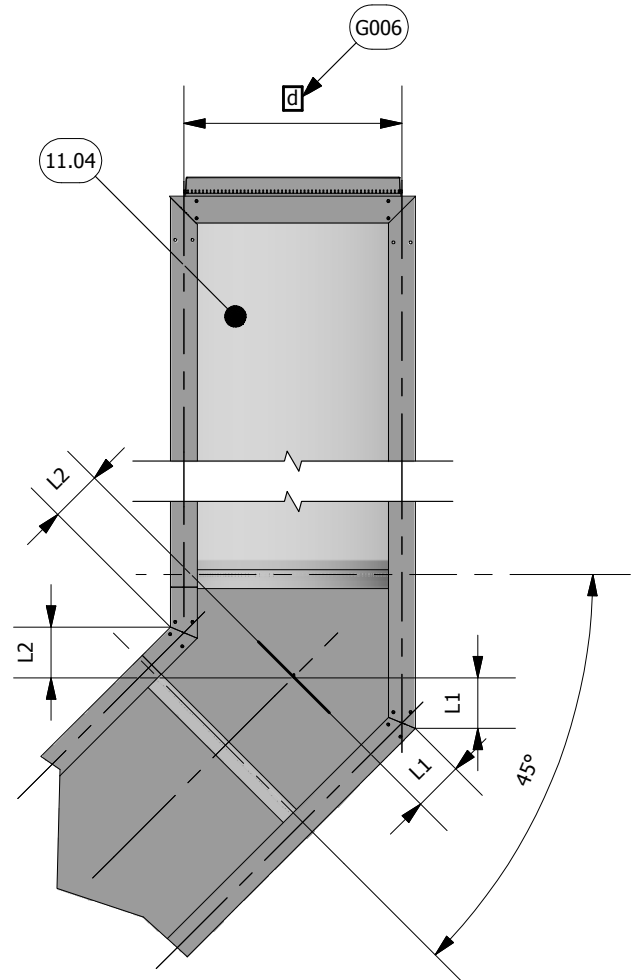
$$a1 = b1$$

$$a2 = b2$$



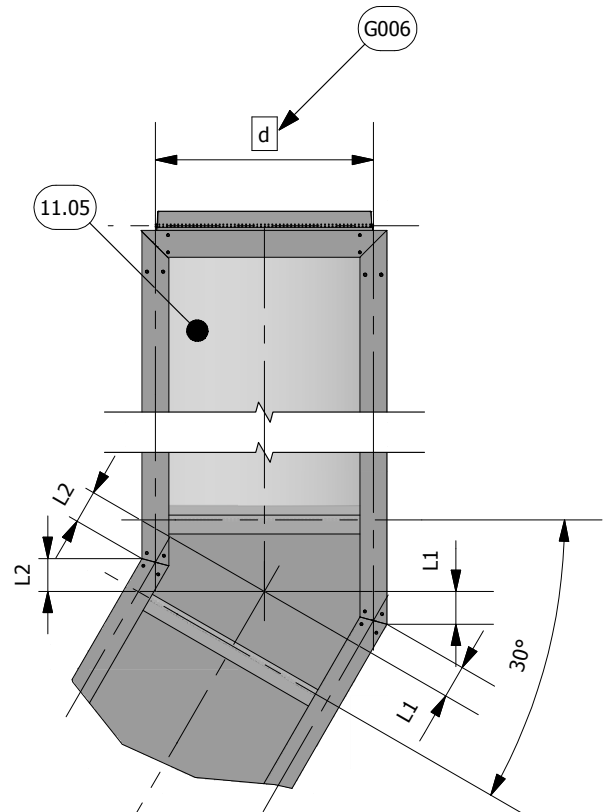
45°

d-Duct Diam.[inch]	d-Duct Diam.[mm]	L1
	100	31
	160	43
	200	51
8	205	52
	250	61
10	255	62
	300	72
12	305	74
	315	76
14	360	85
	400	93
16	410	95
	450	104
18	460	105
	500	114
20	510	116
22	560	126
	600	134
24	610	136
	630	140
26	660	147
	710	157
28	715	158
30	765	168
	800	176
32	815	178
34	865	189
	900	196
36	915	200
38	965	210
	1000	217
40	1020	222
42	1070	232
	1100	237
44	1120	242
46	1170	252
	1200	259
48	1220	263
	1250	269
50	1270	273
	1300	280
52	1320	283
	1400	300
56	1425	305
58	1480	317
	1500	321
60	1525	326
62	1580	338
	1600	341
64	1630	348
66	1680	358
	1700	362
68	1730	368
70	1780	379
	1800	382
72	1830	389
	1900	404
76	1930	410
	2000	425
80	2035	431



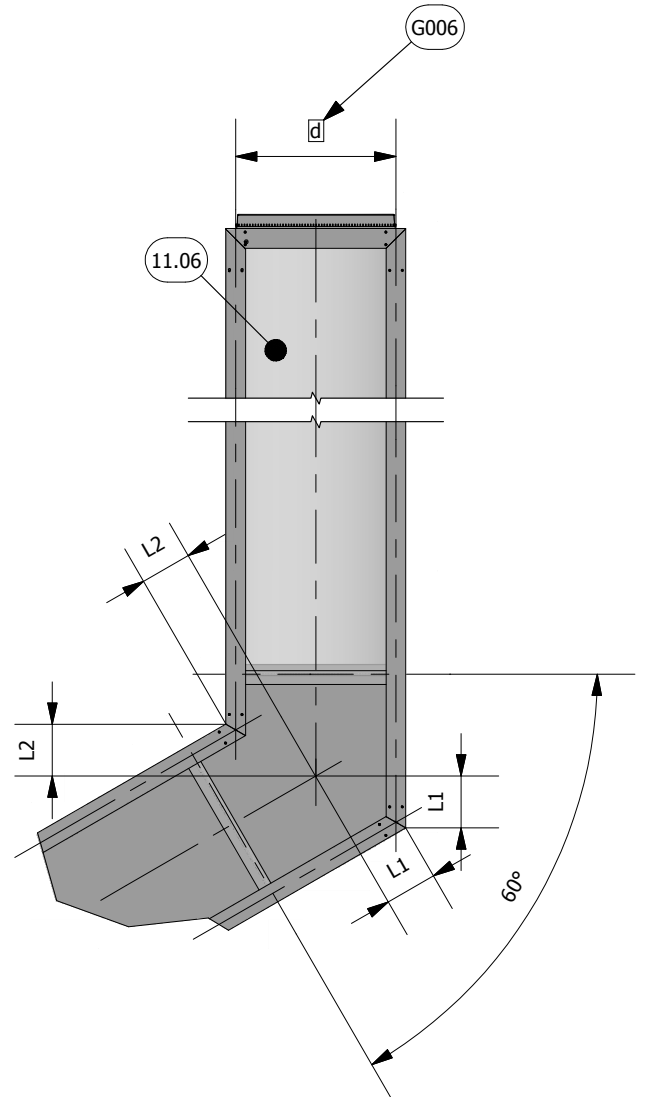
30°

d-Duct Diam.[inch]	d-Duct Diam.[mm]	L1
	100	20
	160	28
	200	33
8	205	34
	250	40
10	255	41
	300	48
12	305	48
	315	50
14	360	56
	400	61
16	410	62
	450	67
18	460	69
	500	74
20	510	75
22	560	82
	600	87
24	610	89
	630	91
26	660	95
	710	102
28	715	102
30	765	109
	800	115
32	815	117
34	865	123
	900	128
36	915	130
38	965	136
	1000	141
40	1020	144
42	1070	150
	1100	154
44	1120	157
46	1170	163
	1200	167
48	1220	170
	1250	174
50	1270	177
	1300	182
52	1320	184
	1400	195
56	1425	198
58	1480	205
	1500	208
60	1525	211
62	1580	219
	1600	221
64	1630	225
66	1680	232
	1700	234
68	1730	238
70	1780	245
	1800	248
72	1830	253
	1900	262
76	1930	266
	2000	275
80	2035	280



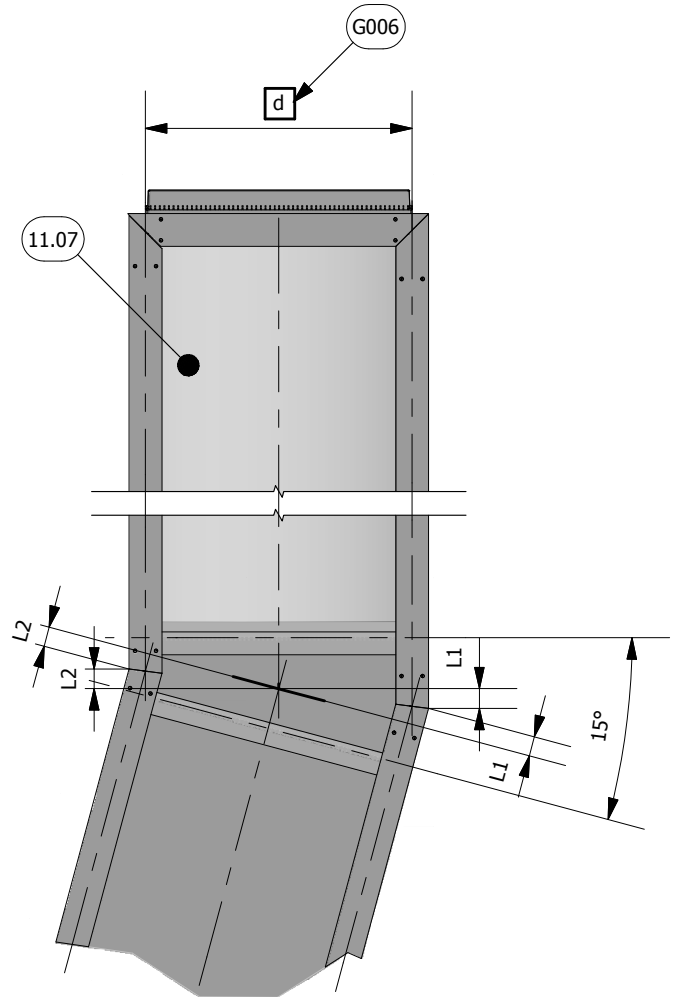
60°

d-Duct Diam.[inch]	d-Duct Diam.[mm]	L1
	100	43
	160	61
	200	72
8	205	74
	250	87
10	255	88
	300	101
12	305	102
	315	105
14	360	118
	400	129
16	410	132
	450	144
18	460	146
	500	158
20	510	162
22	560	176
	600	188
24	610	190
	630	196
26	660	205
	710	219
28	715	220
30	765	235
	800	245
32	815	249
34	865	264
	900	273
36	915	278
38	965	293
	1000	303
40	1020	308
42	1070	323
	1100	332
44	1120	337
46	1170	352
	1200	360
48	1220	367
	1250	375
50	1270	381
	1300	389
52	1320	395
	1400	418
56	1425	425
58	1480	442
	1500	447
60	1525	455
62	1580	470
	1600	476
64	1630	484
66	1680	499
	1700	504
68	1730	513
70	1780	528
	1800	533
72	1830	542
	1900	562
76	1930	571
	2000	591
80	2035	601

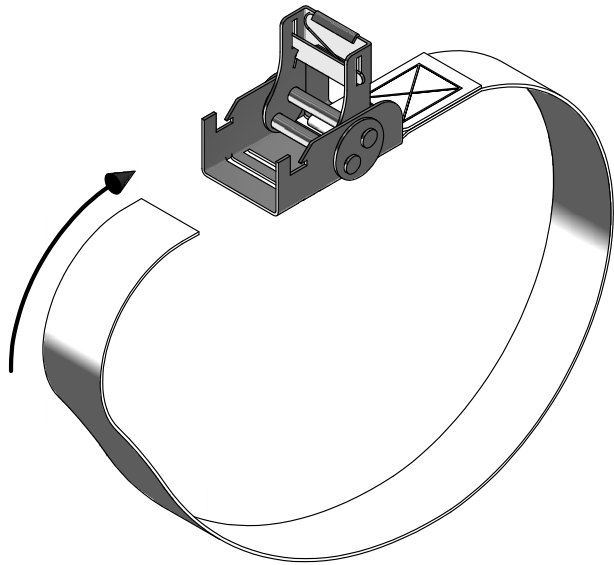


15°

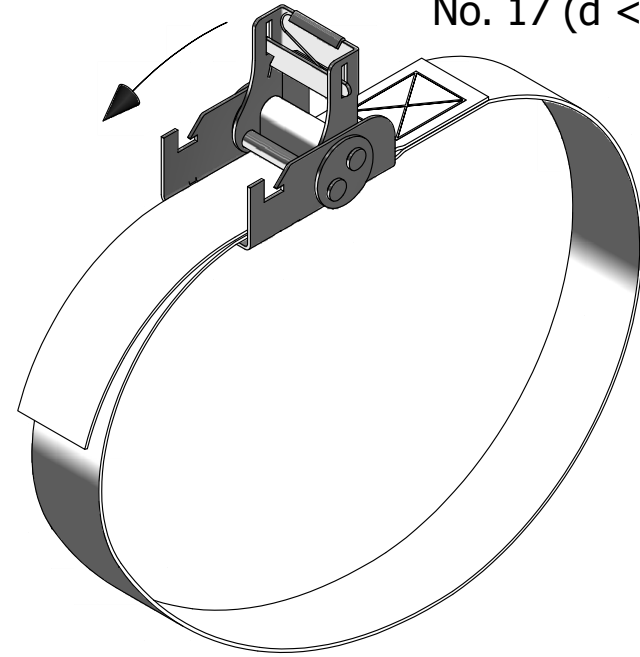
d-Duct Diam.[inch]	d-Duct Diam.[mm]	L1
	100	10
	160	14
	200	16
8	205	16
	250	19
10	255	20
	300	23
12	305	23
	315	24
14	360	27
	400	29
16	410	30
	450	33
18	460	33
	500	36
20	510	37
22	560	40
	600	42
24	610	43
	630	44
26	660	46
	710	50
28	715	50
30	765	53
	800	56
32	815	57
34	865	60
	900	62
36	915	63
38	965	67
	1000	69
40	1020	70
42	1070	73
	1100	75
44	1120	77
46	1170	80
	1200	82
48	1220	83
	1250	85
50	1270	87
	1300	89
52	1320	90
	1400	95
56	1425	97
58	1480	100
	1500	102
60	1525	103
62	1580	107
	1600	108
64	1630	110
66	1680	114
	1700	115
68	1730	117
70	1780	120
	1800	121
72	1830	123
	1900	128
76	1930	130
	2000	135
80	2035	137



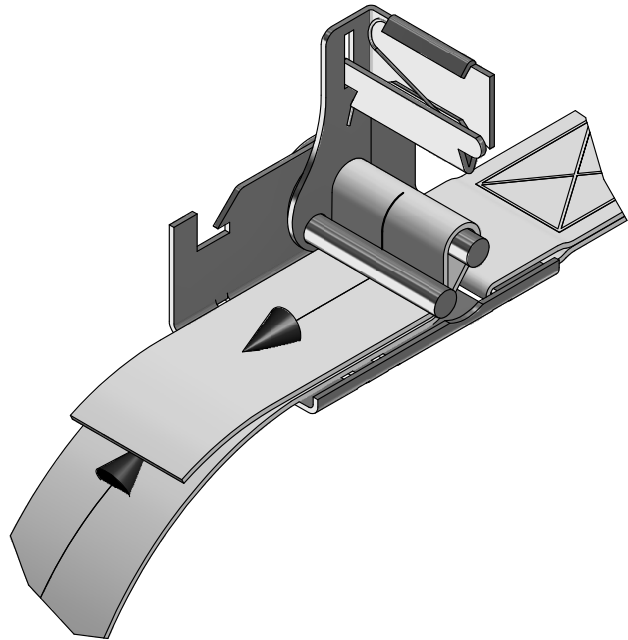
No. 17 (d < 508mm [20in])



1



3

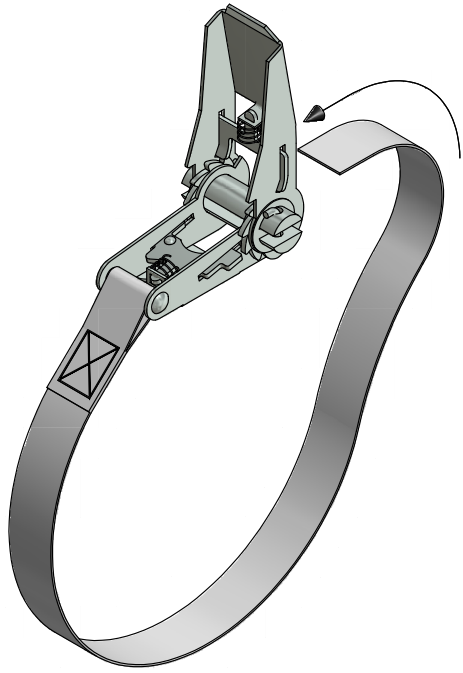


2

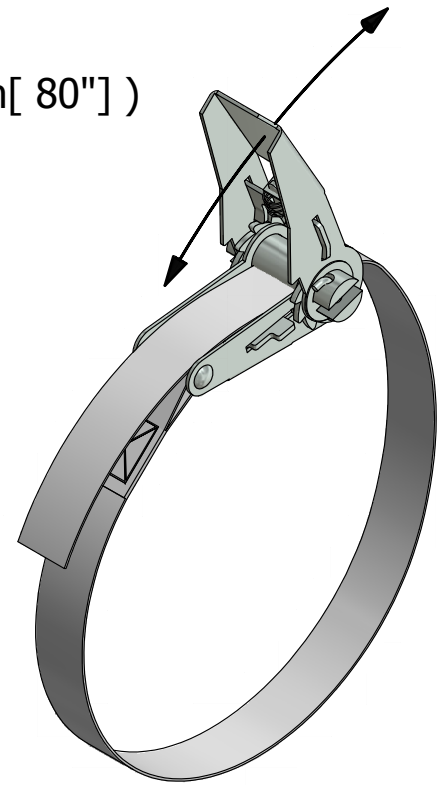


4

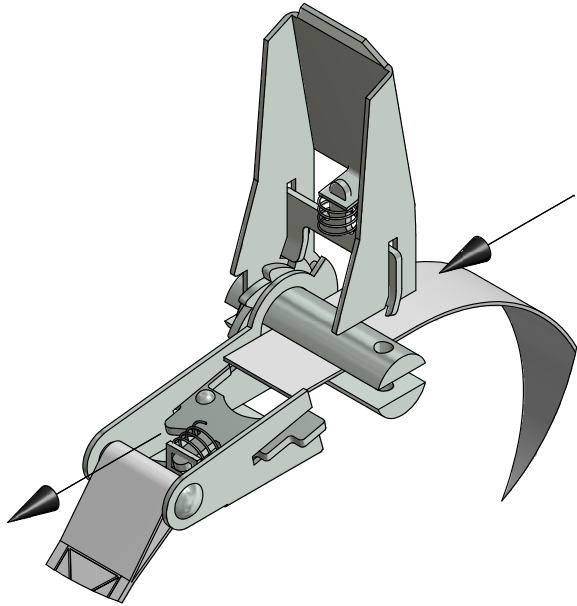
No. 18 (508mm [20"] < d < 2032mm[80"])



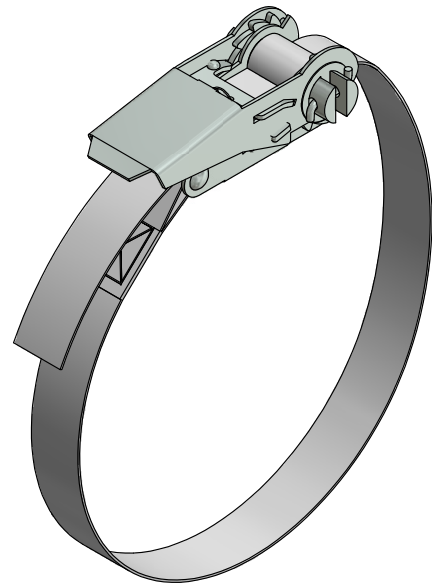
1



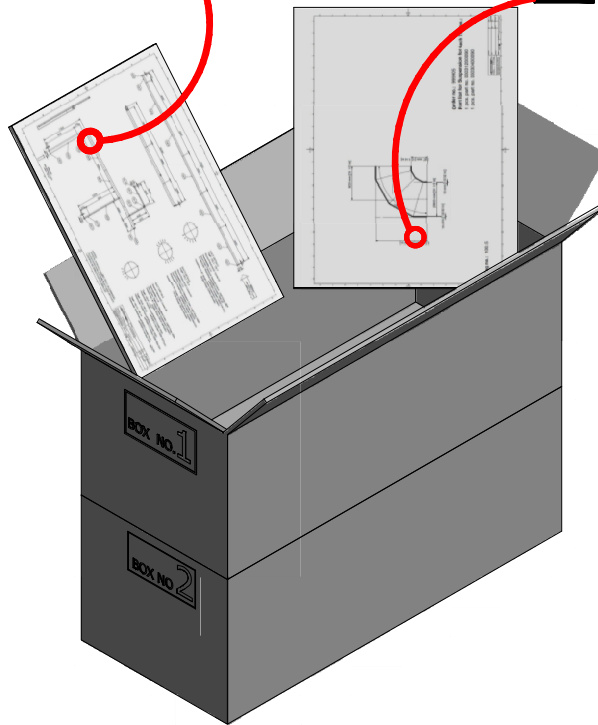
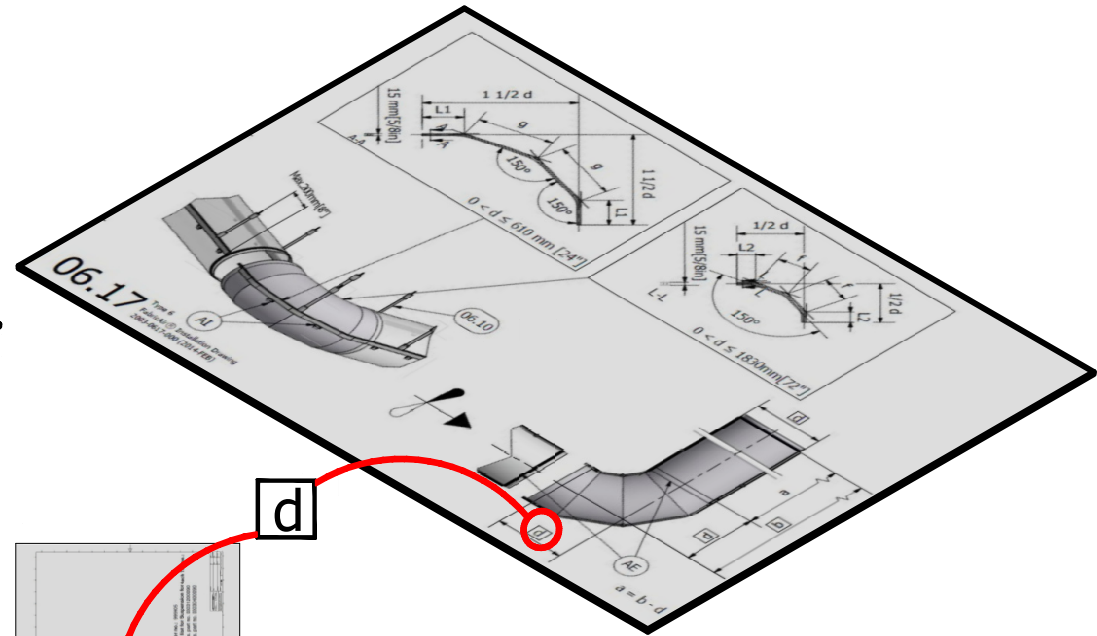
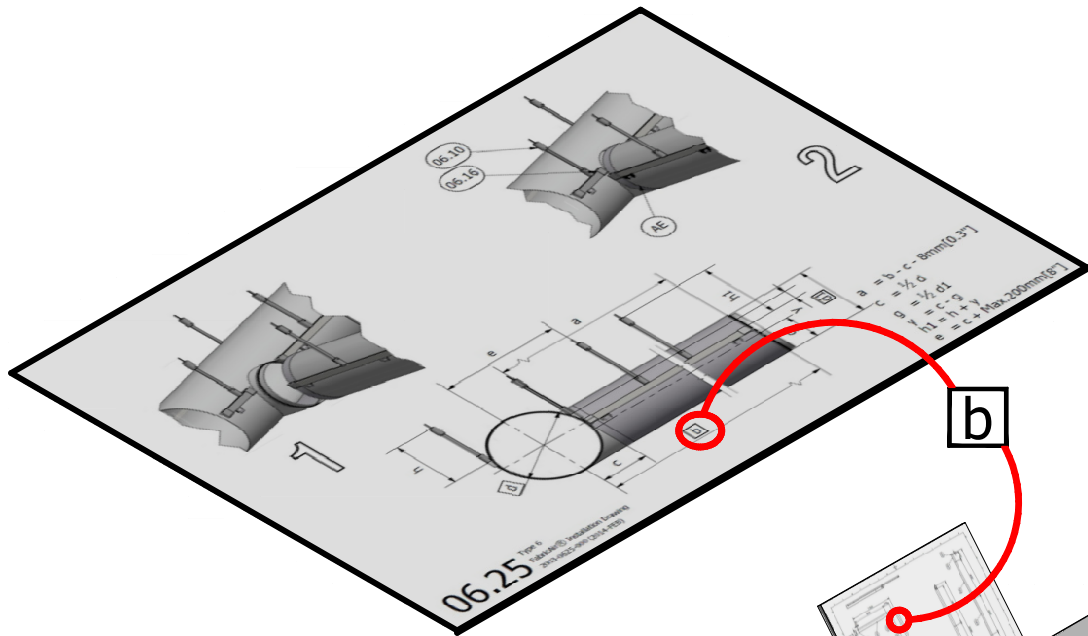
3



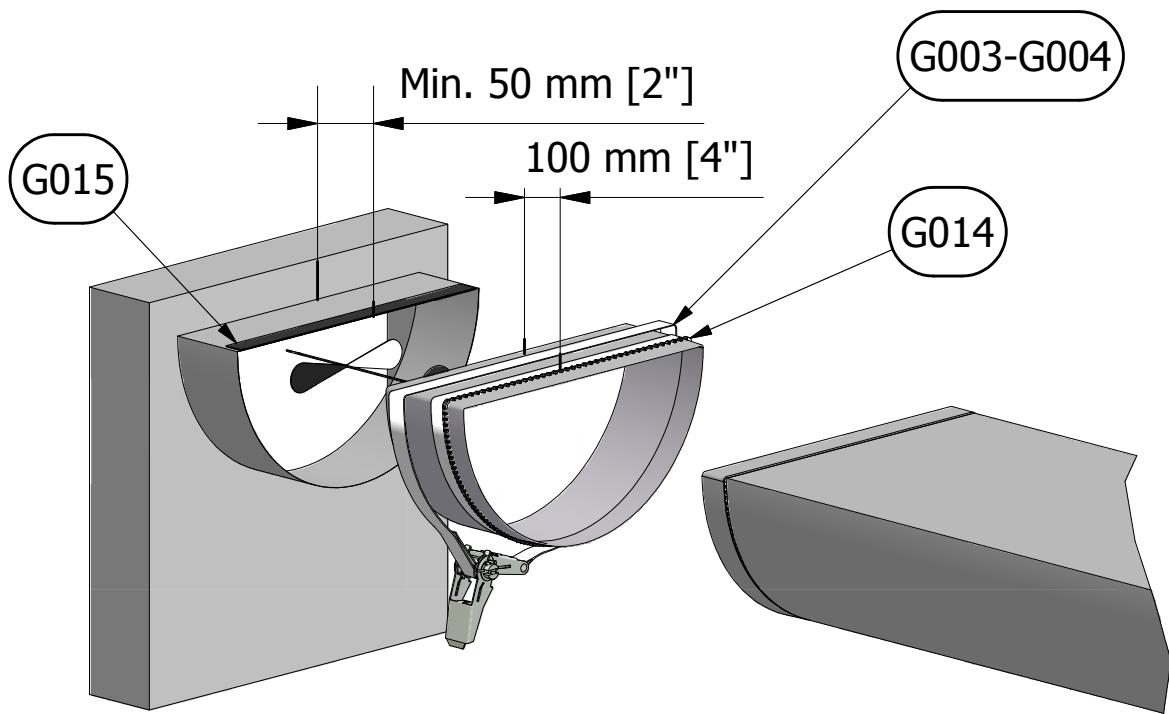
2



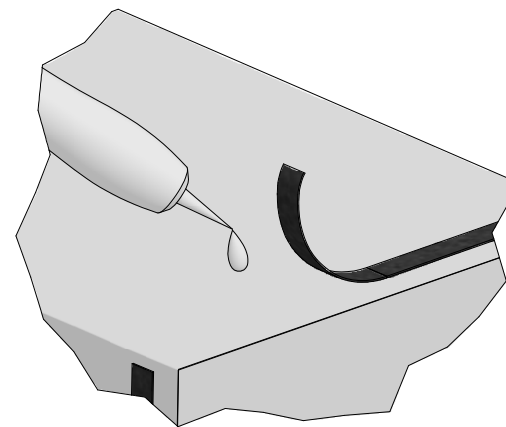
4



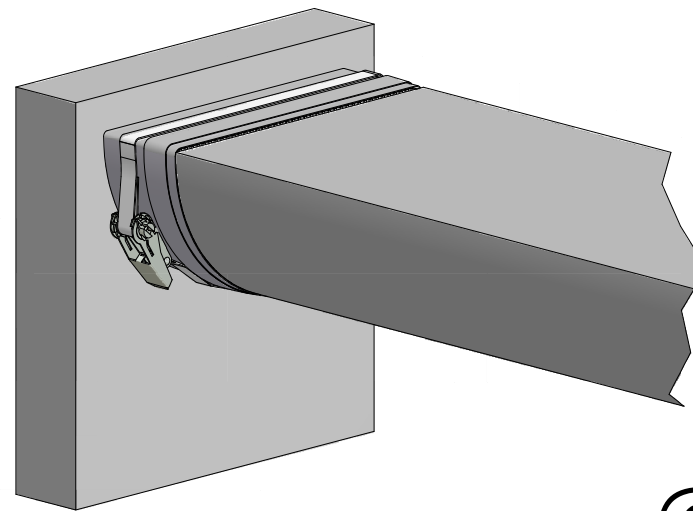
Note:
The Dimensions given in squares can be found in system drawing which is in box 1 .



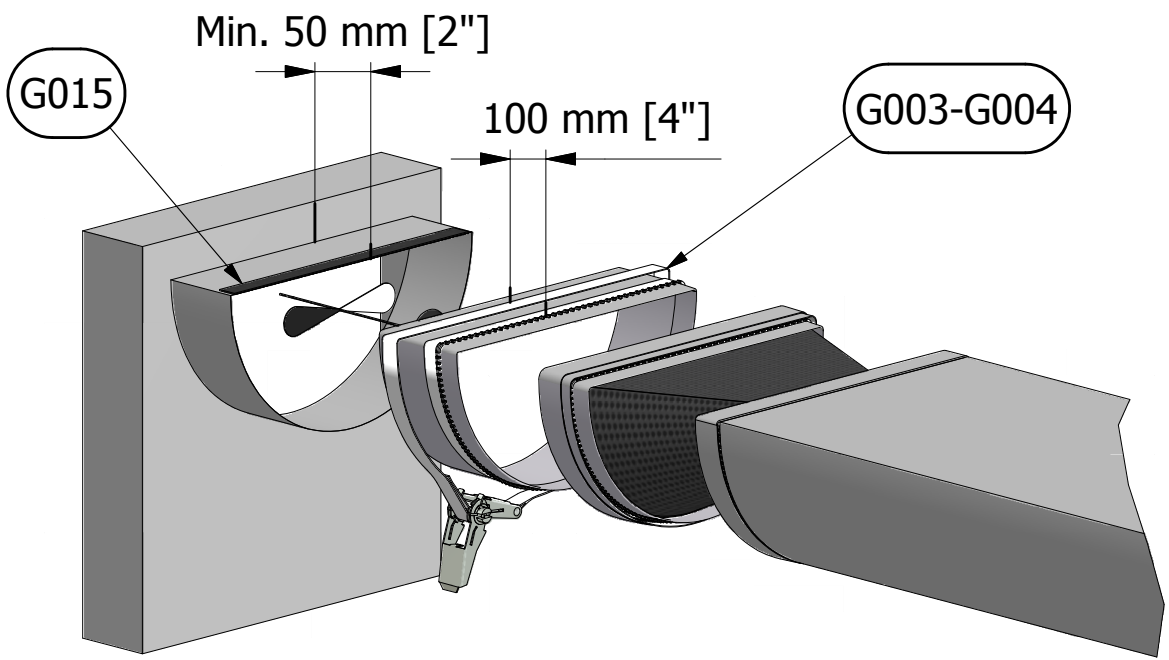
2



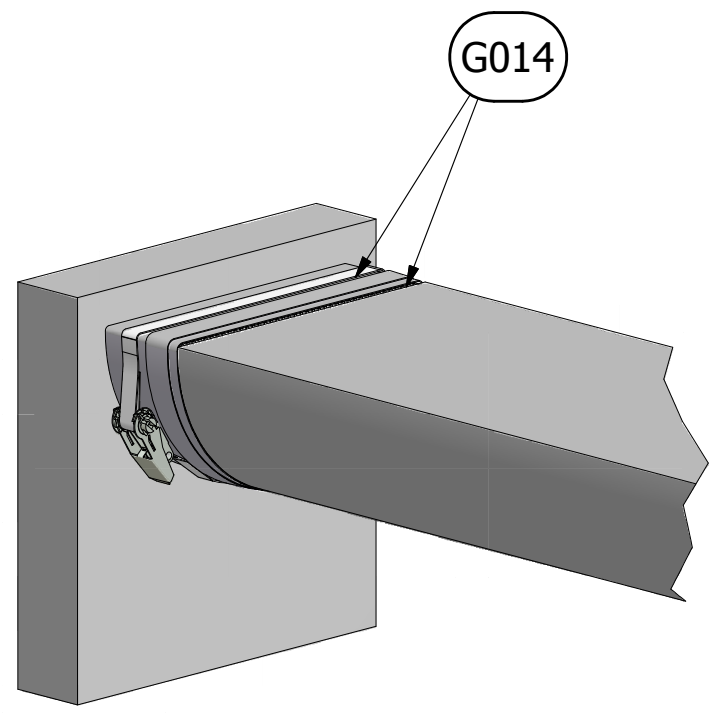
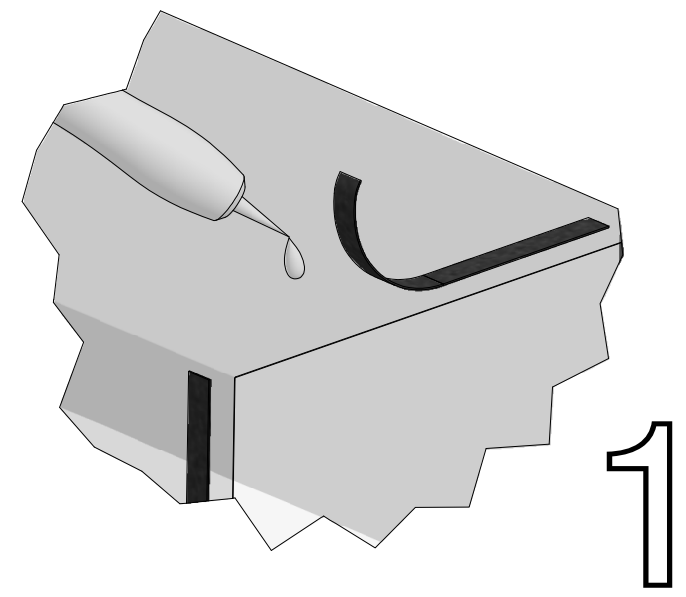
1

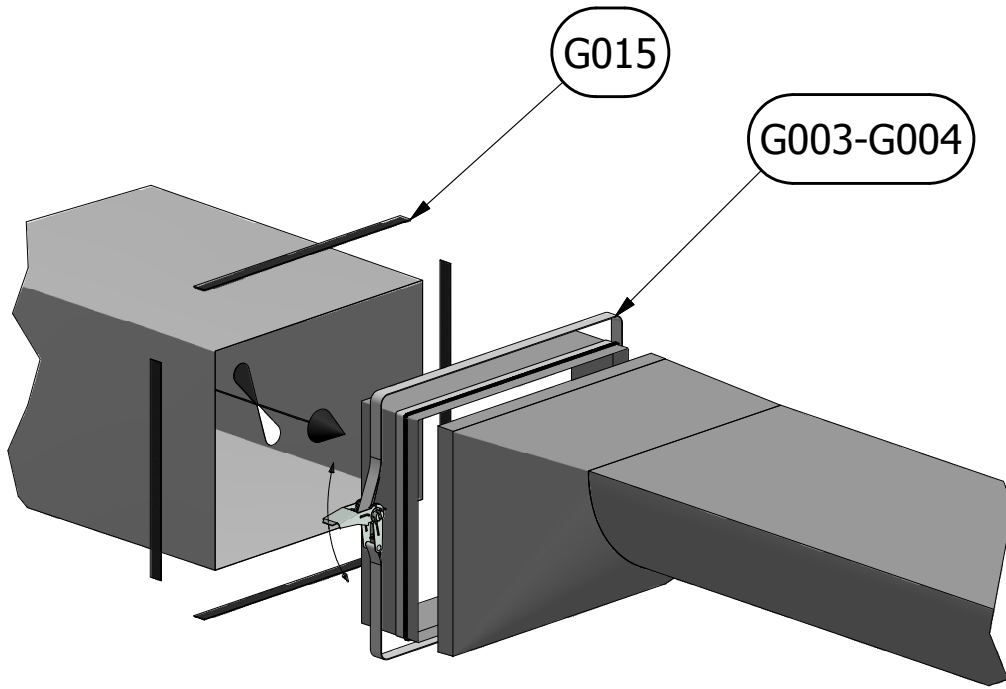


3

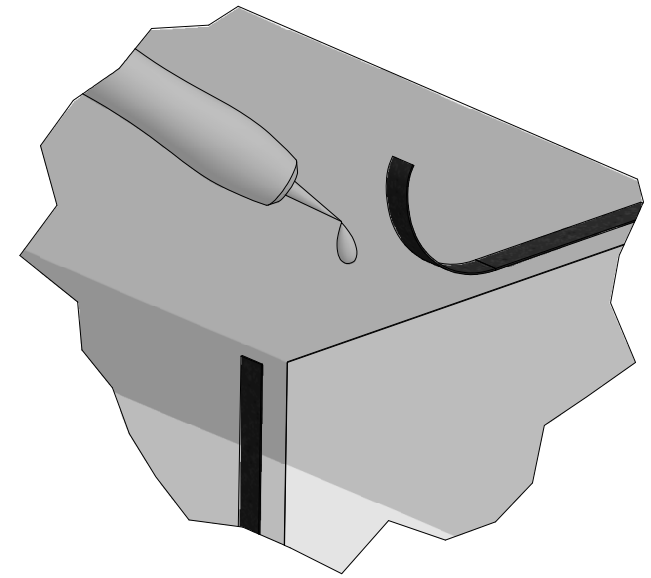


2

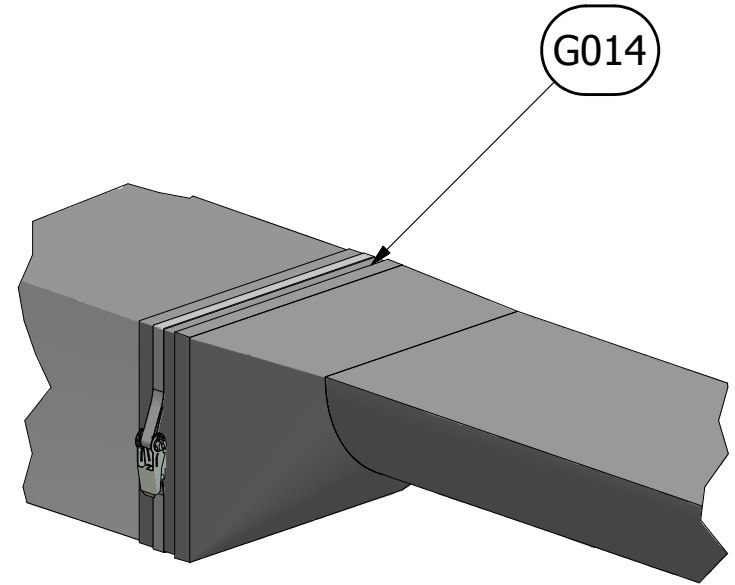




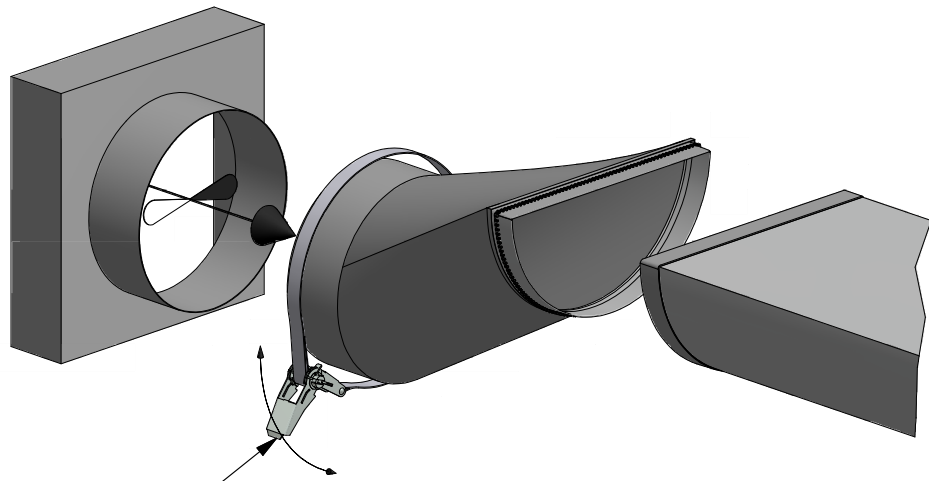
2



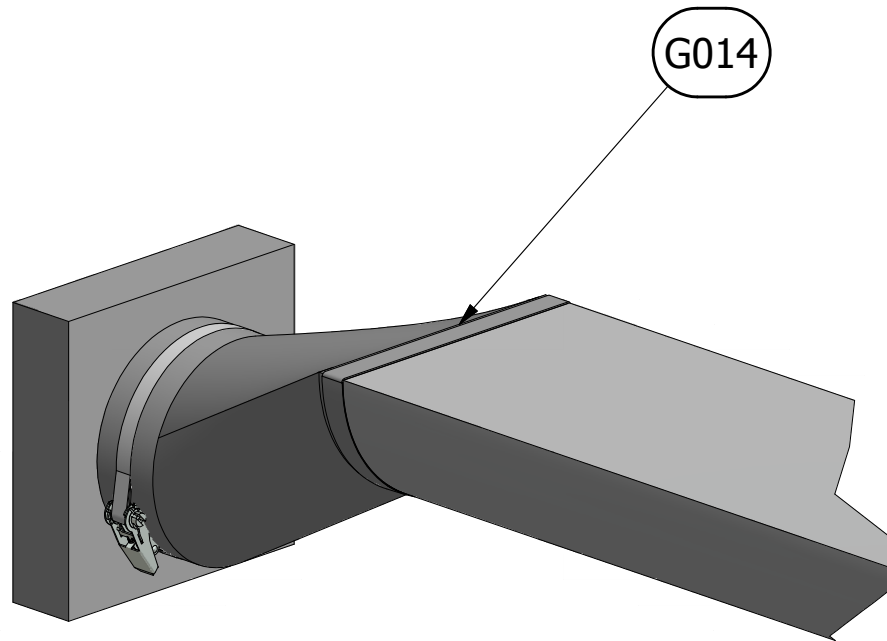
1



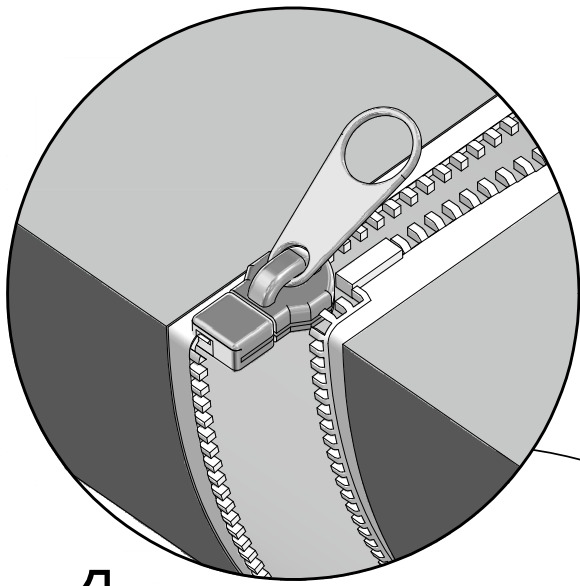
3



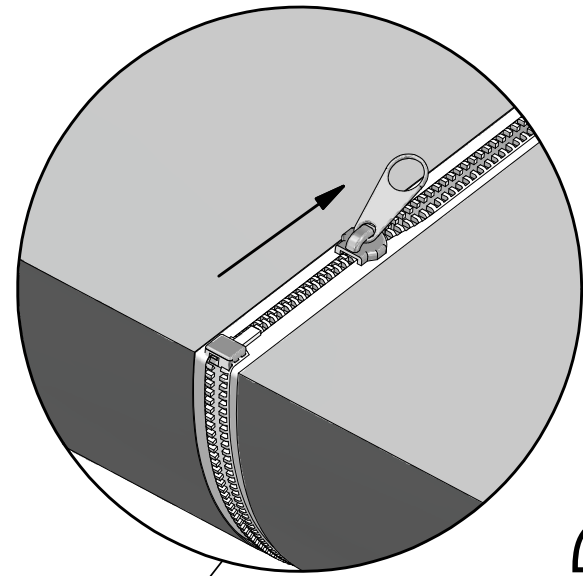
G004



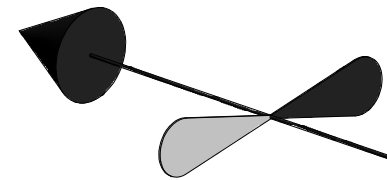
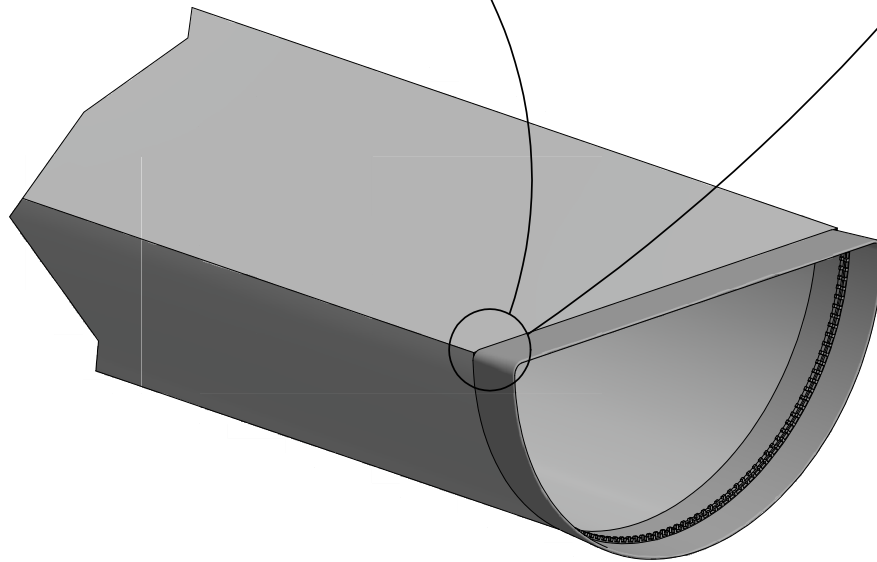
G014

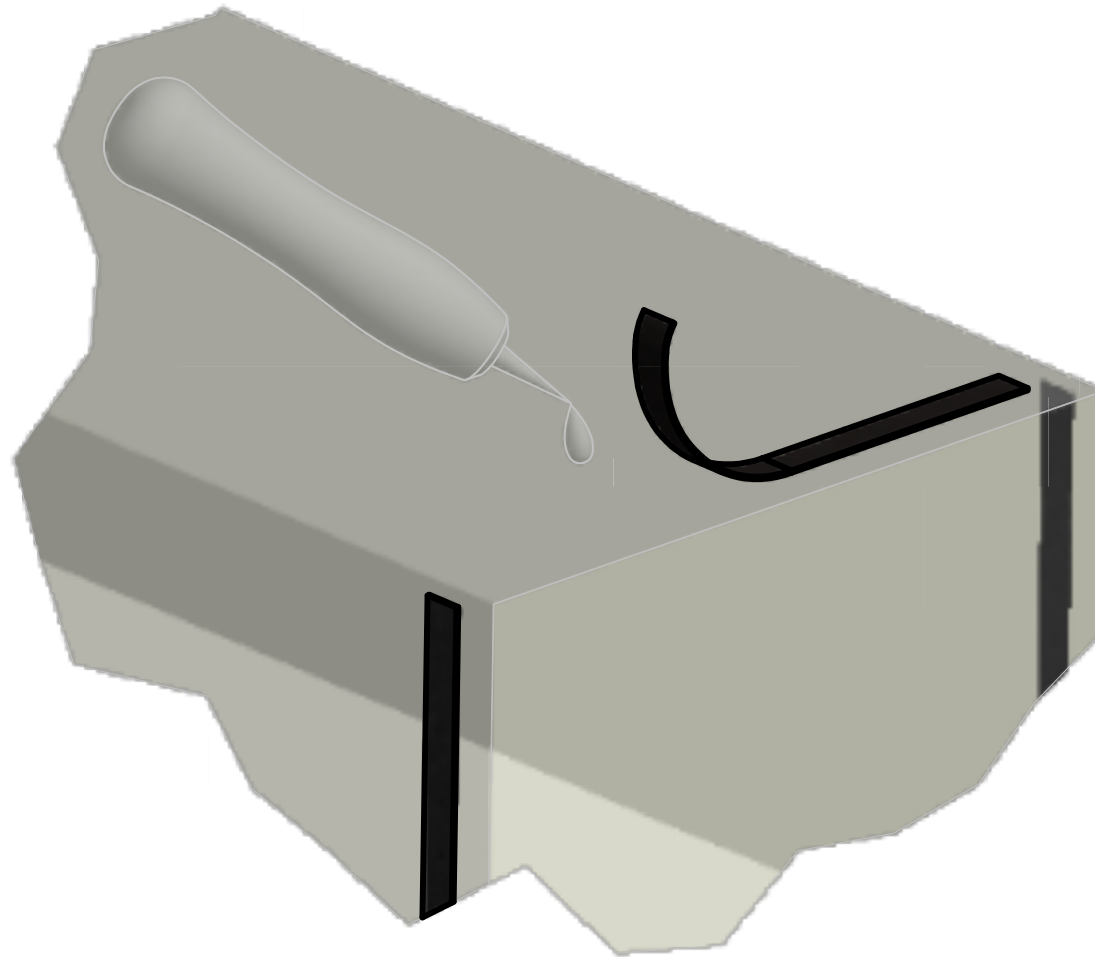


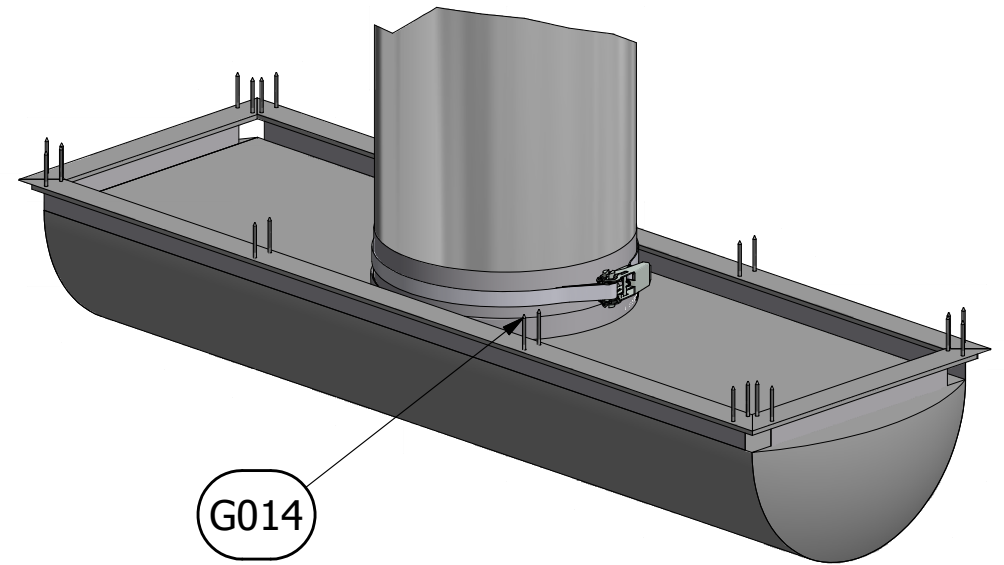
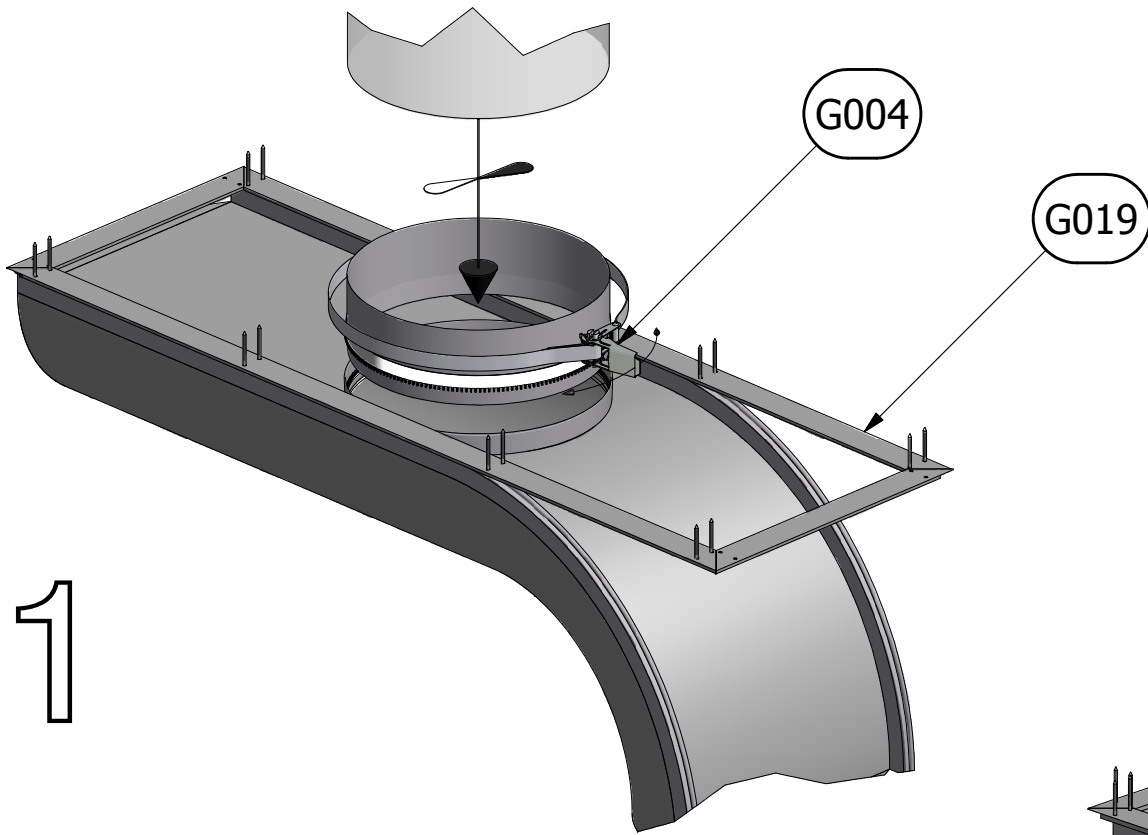
1

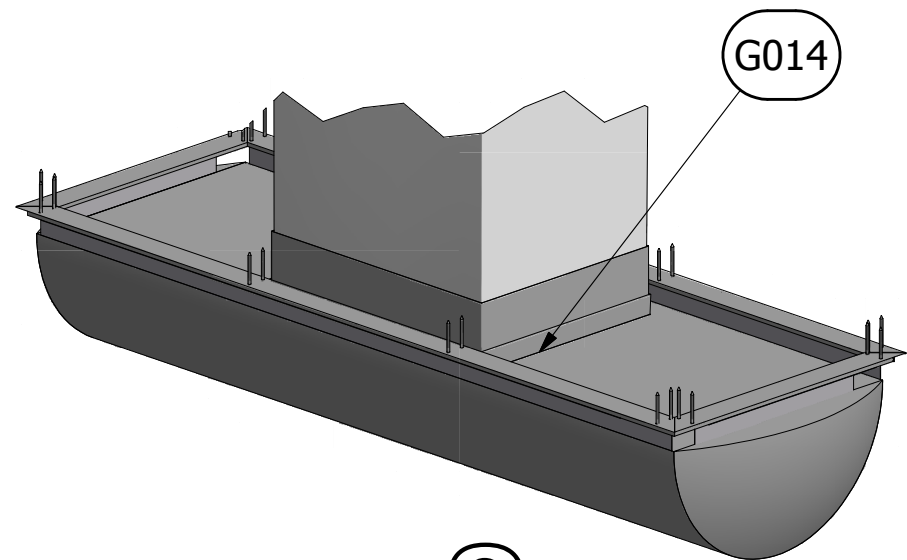
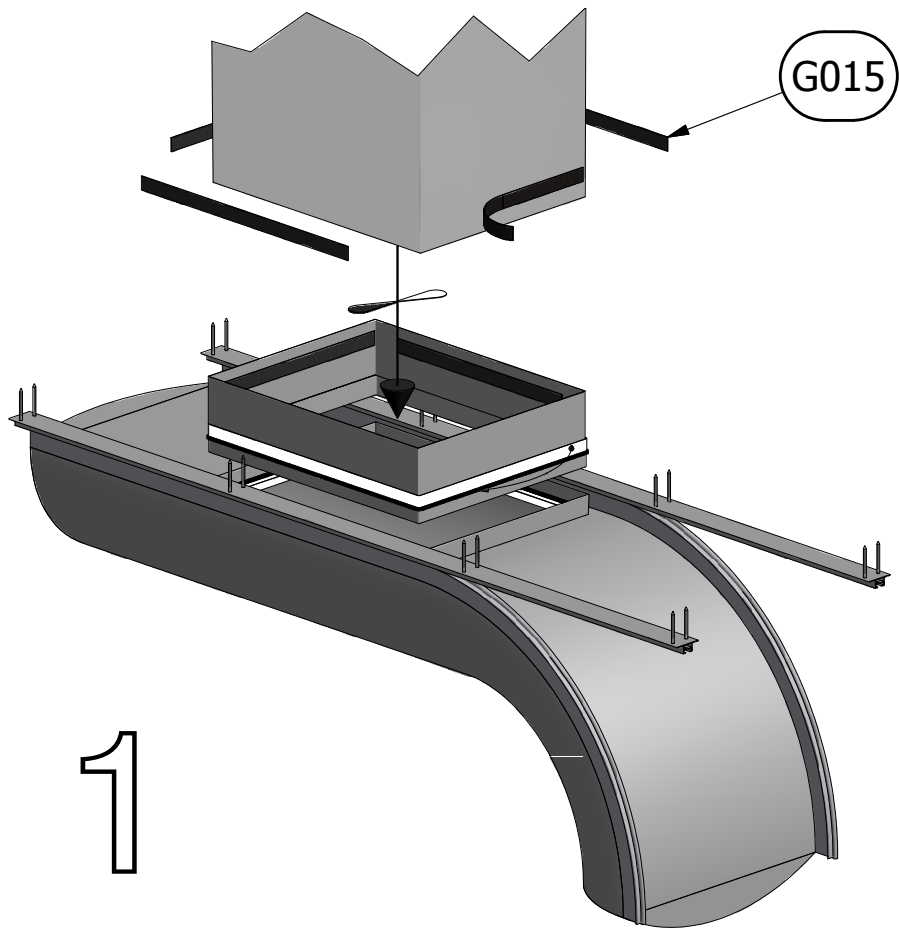


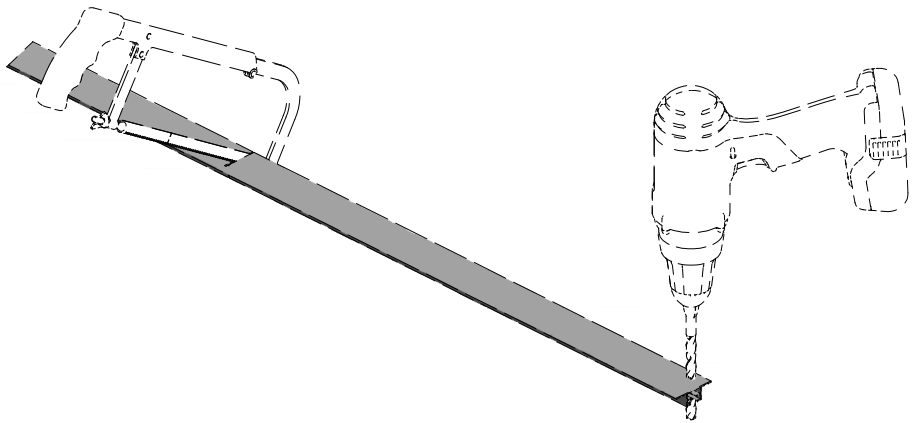
2



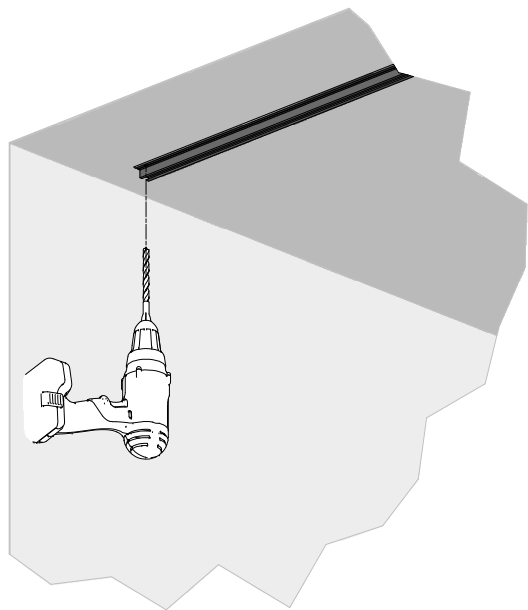




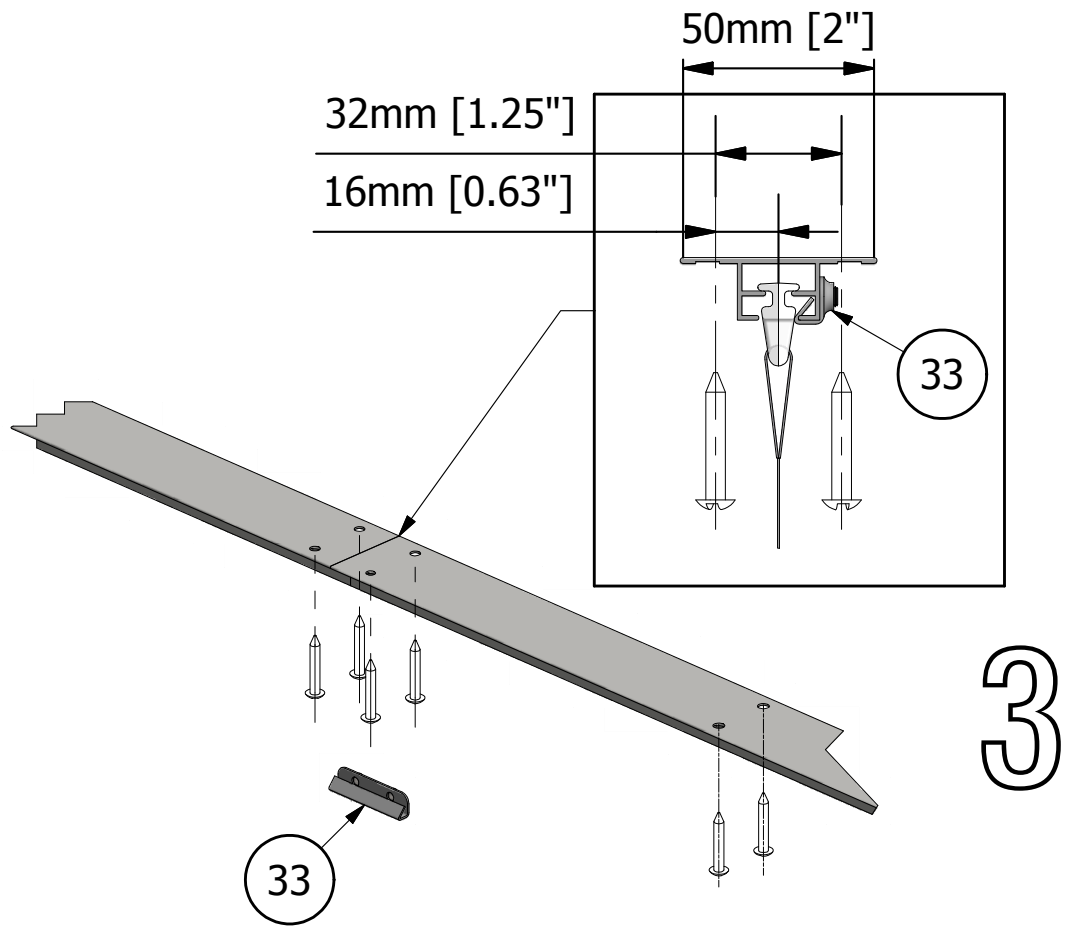




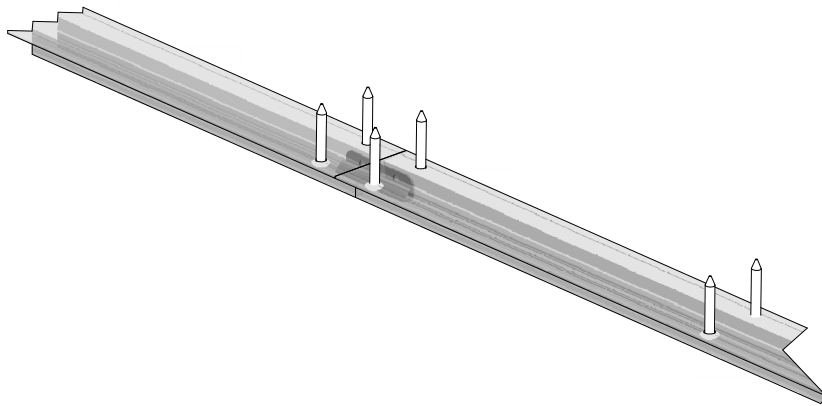
1



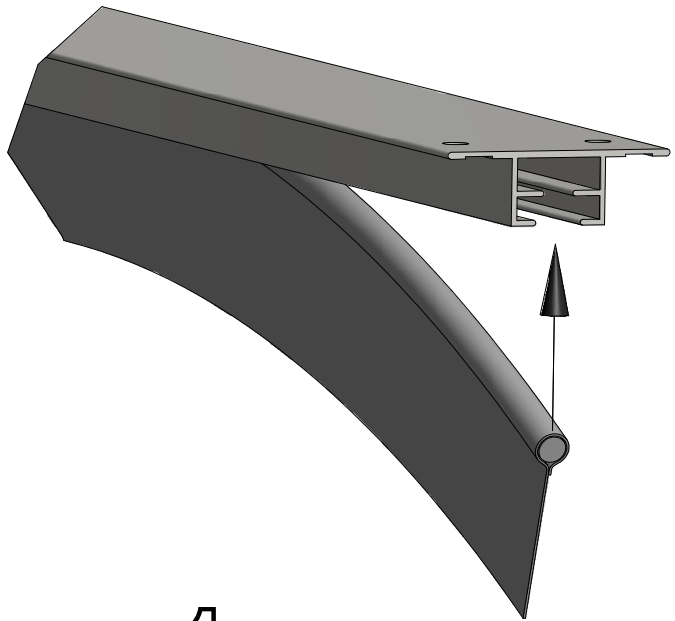
2



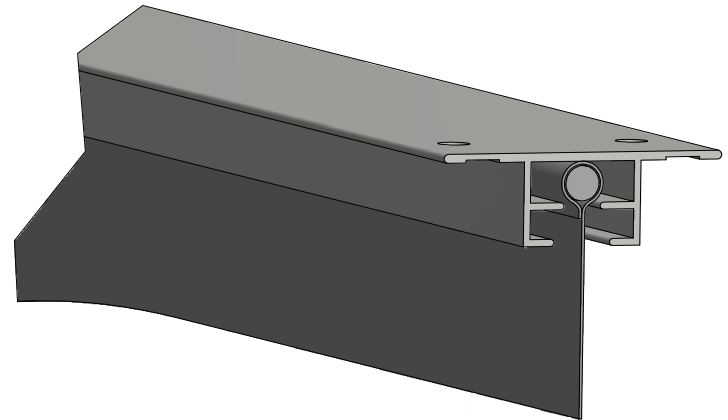
3



4

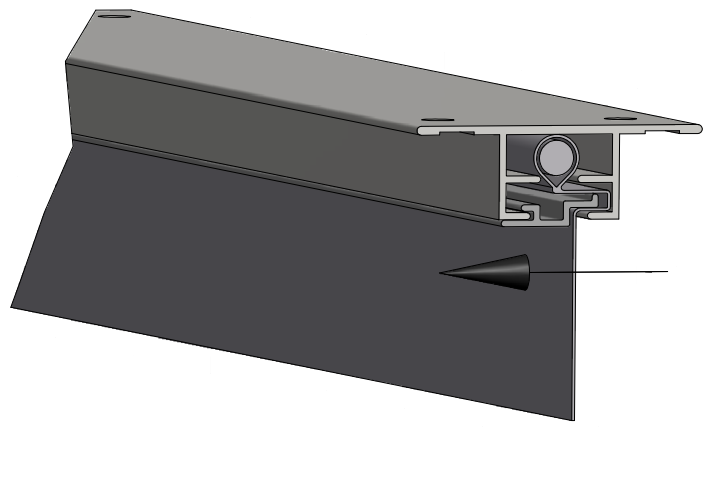
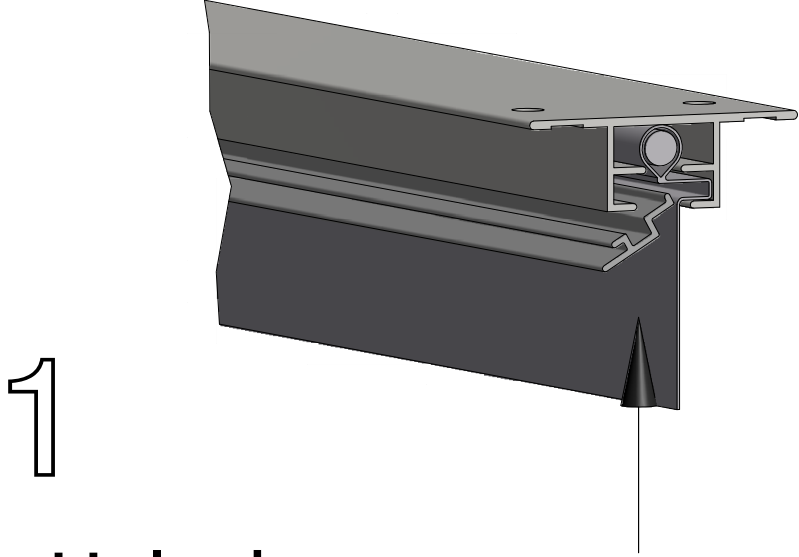


1

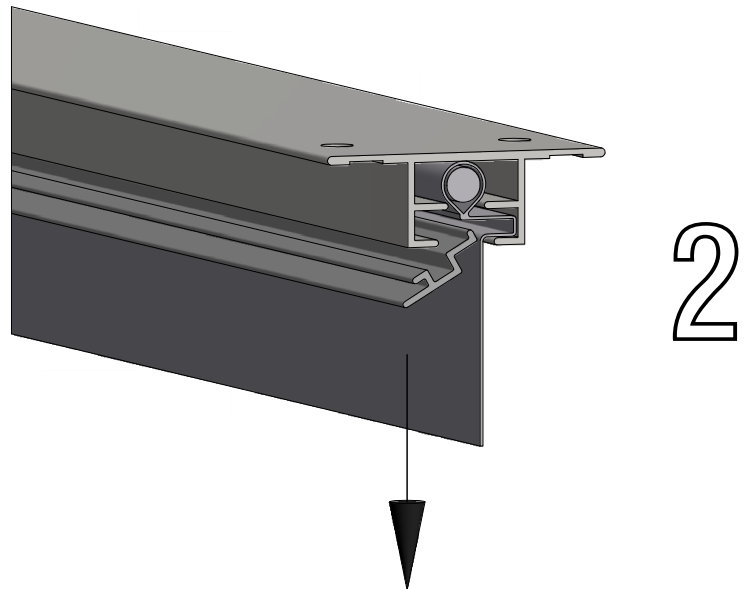
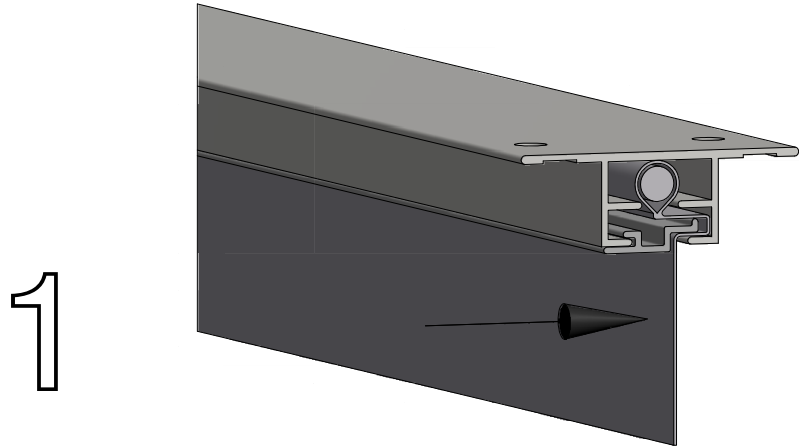


2

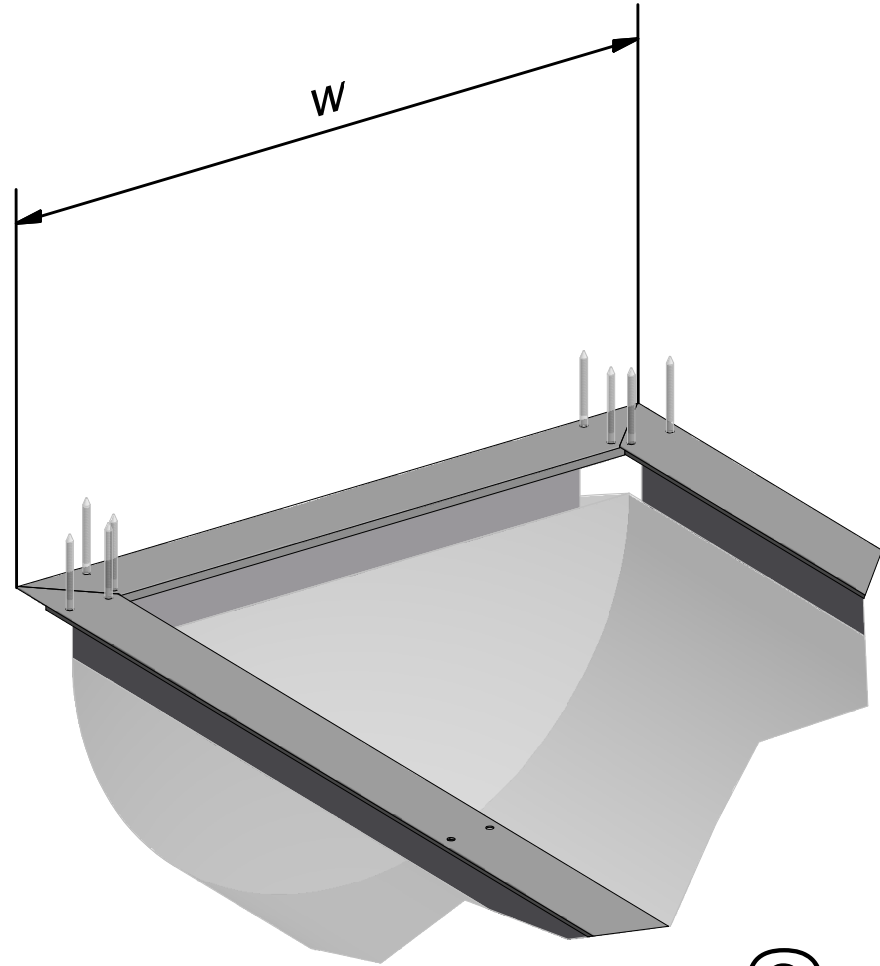
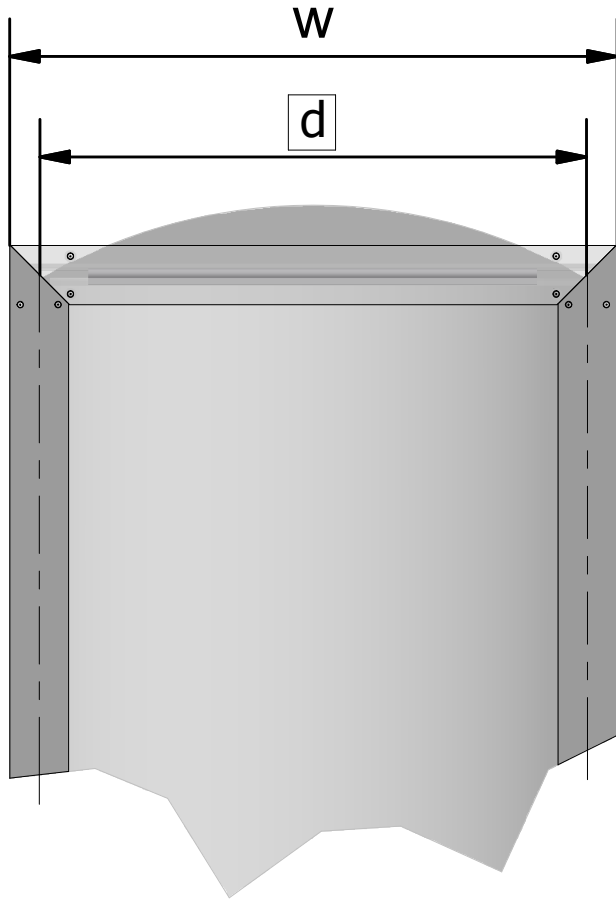
To Lock



To Unlock



1



$$w = d + 50 \text{ mm [2"]}$$

2

FabricAir

ORDER NO : 1473677

CONTENTS OF BOX NO. 1/2:

INSTRUCTION BAG 1 pcs.

-Drawing Included 1 pcs.

Distribution Ducts

Tag no. 100.1 Inlet Ø 1060 x 100 2 pcs.

Tag no. 100.2 Inlet Ø 1060 x 2625 2 pcs.

Tag no. 100.5 Inlet Ø 500 x 1000 x 9330 2 pcs.

Suspensions

(05) STRETCHER M6 x 90,GV 12 pcs

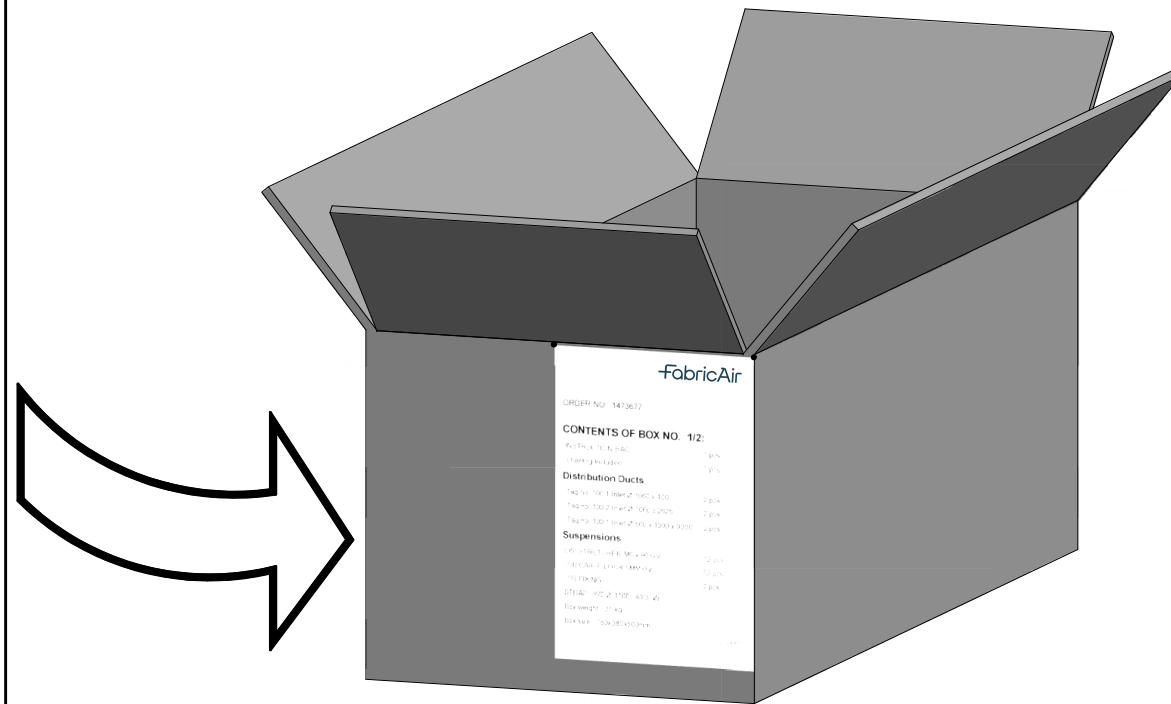
(14) CABLE LOCK 5MM,GV 52 pcs

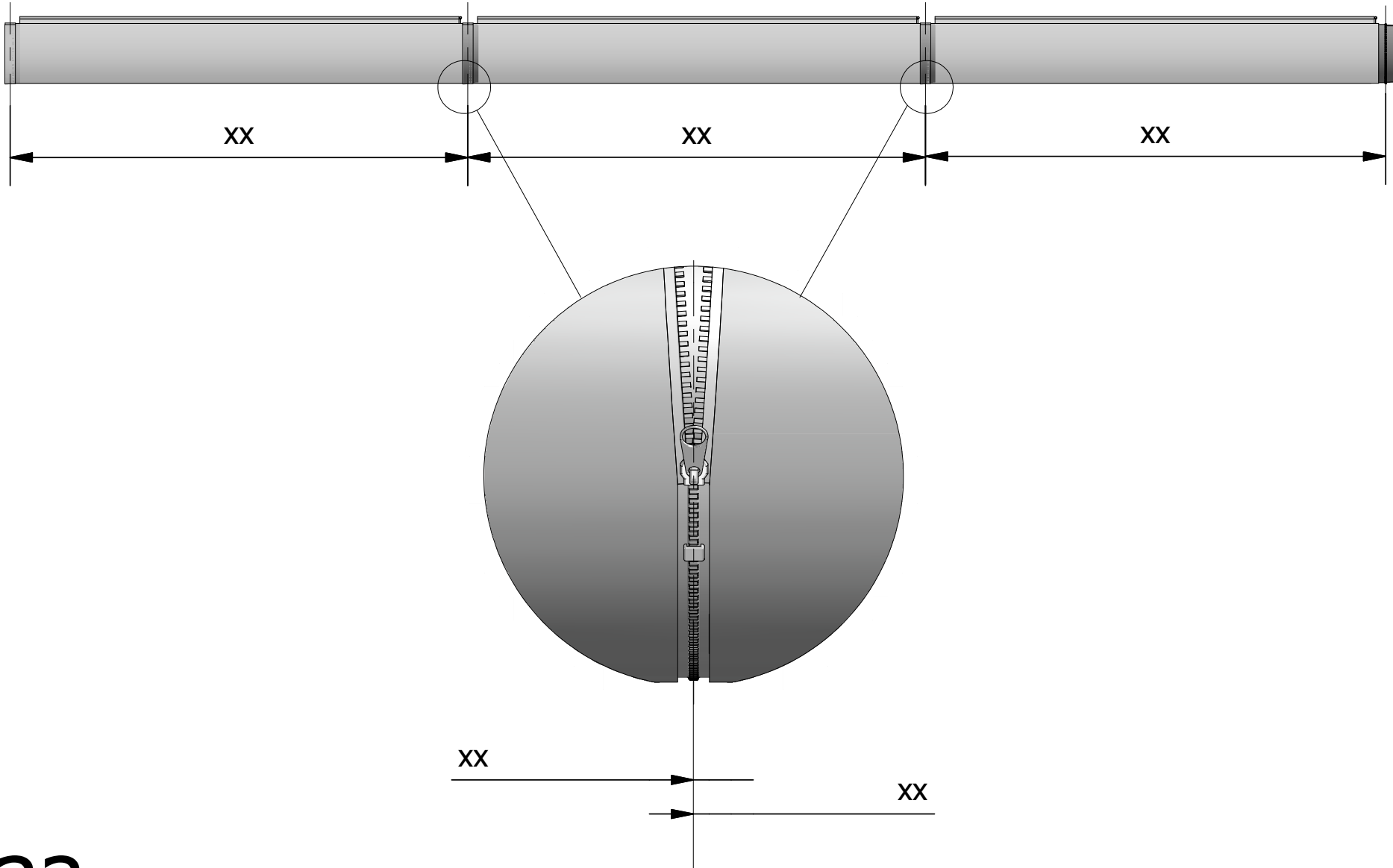
(18) FIXING 2 pcs

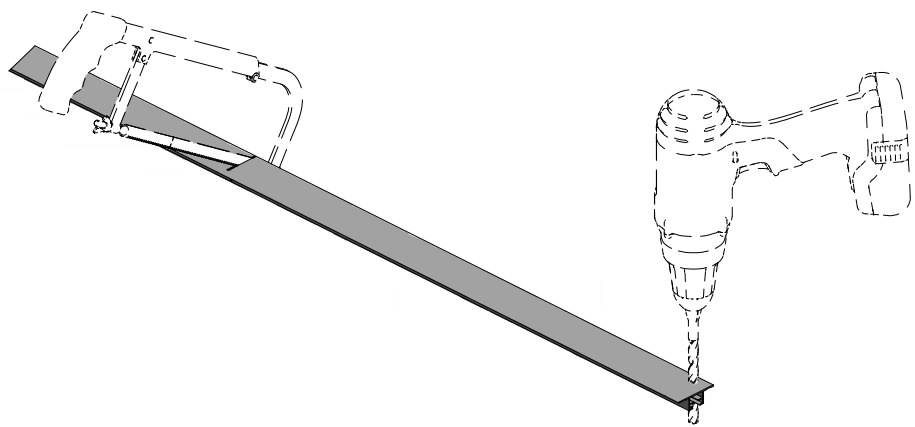
STRAP , Y/2 , Ø 1100 / 43.3 "W

Box weight : 31 kg

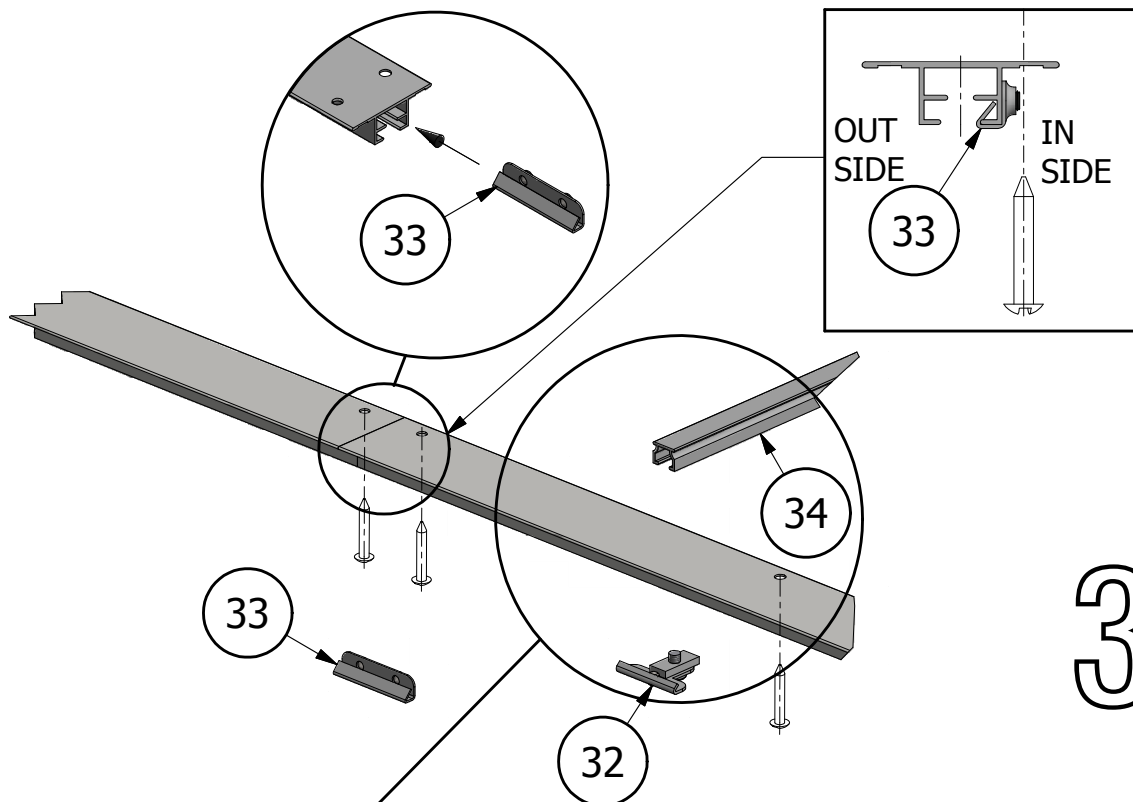
Box size : 780x380x500mm



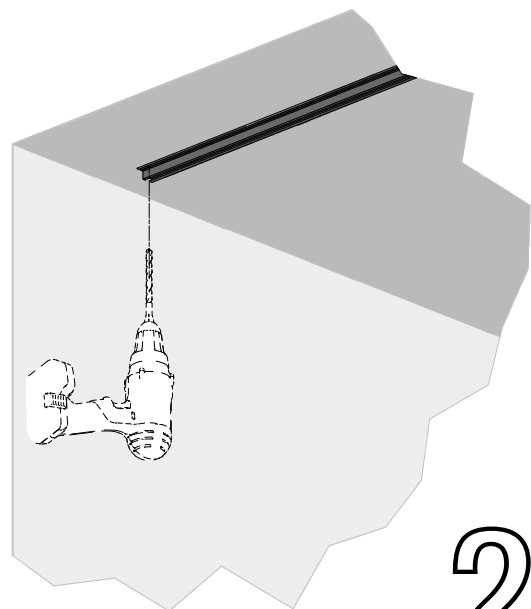




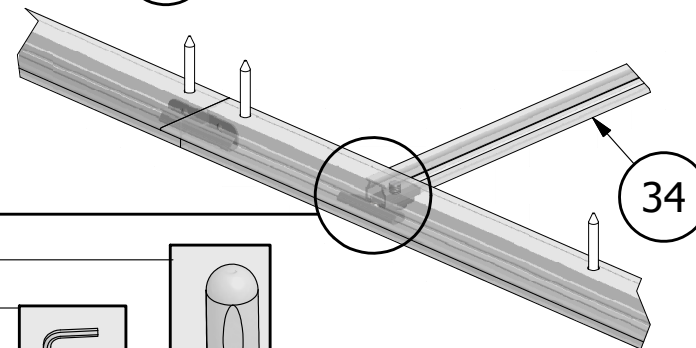
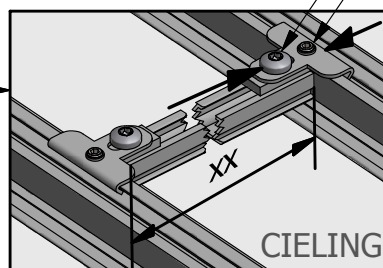
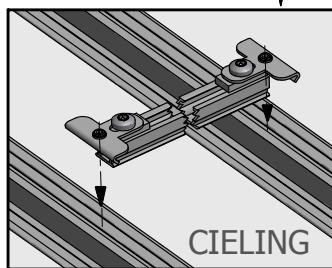
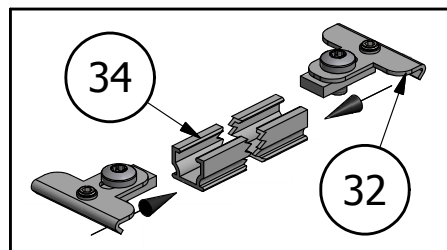
1



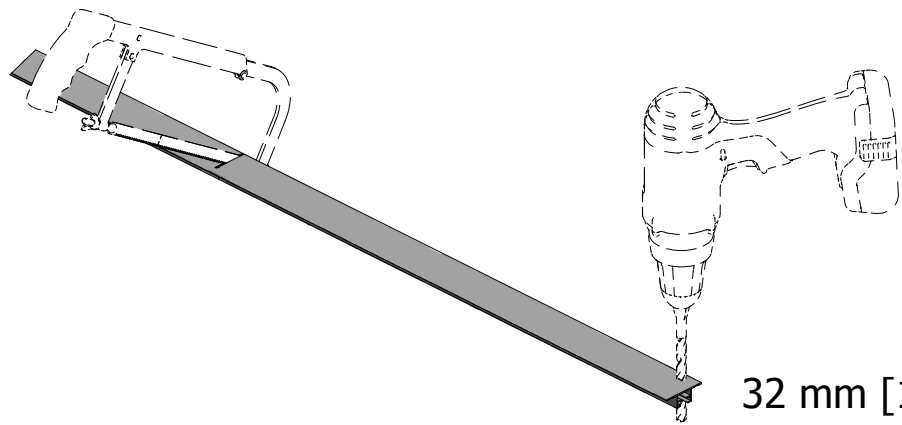
3



2



4

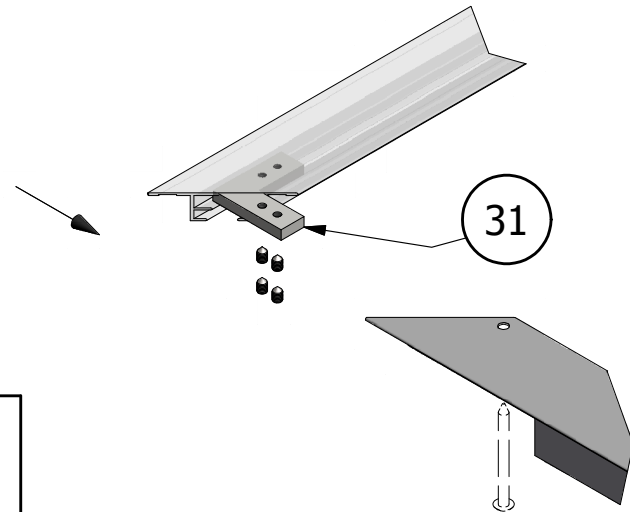
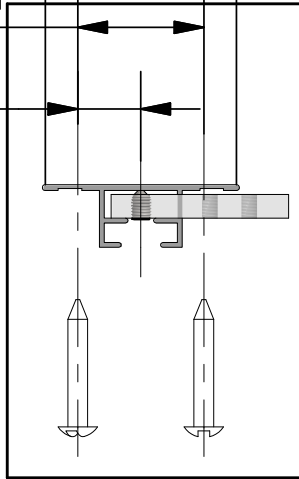


1

32 mm [1.25"]

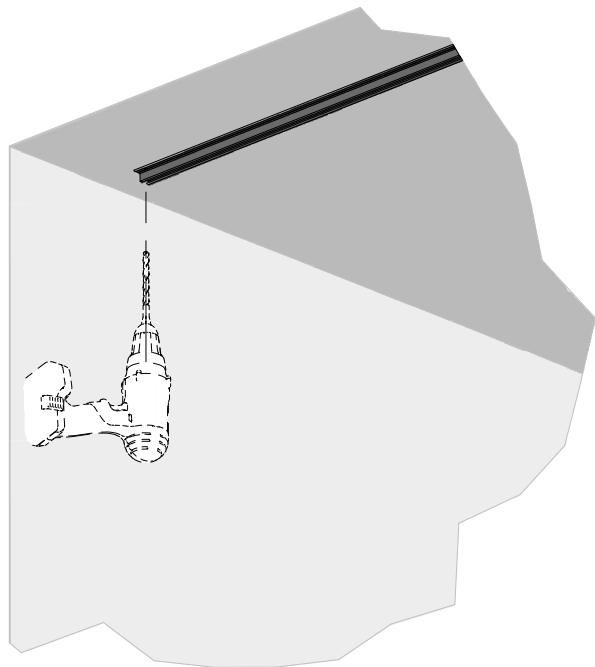
16 mm [0.63"]

50 mm [2"]

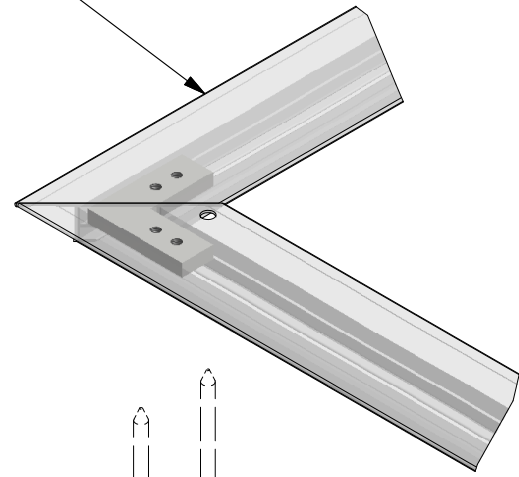


31

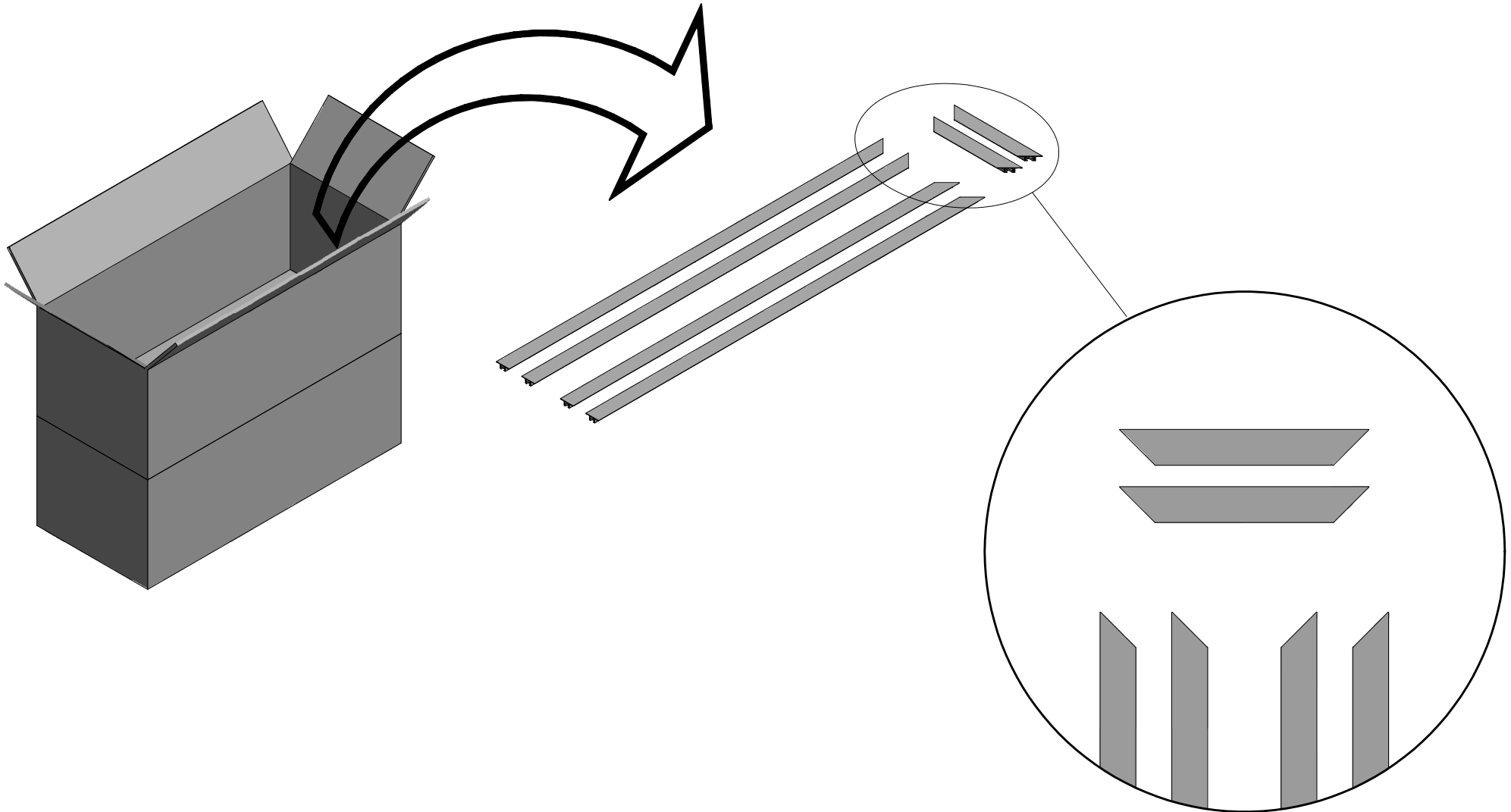
3

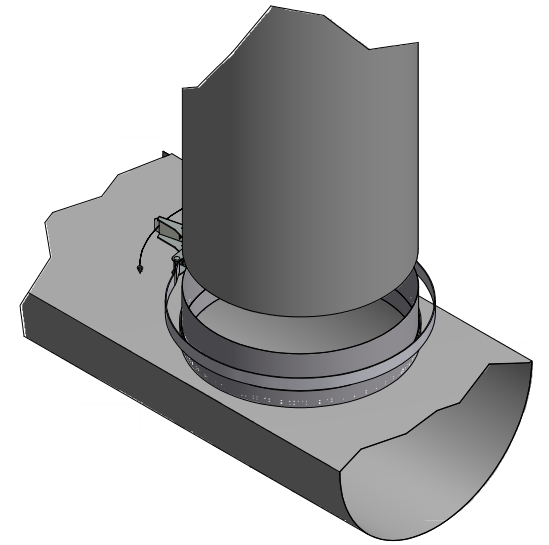
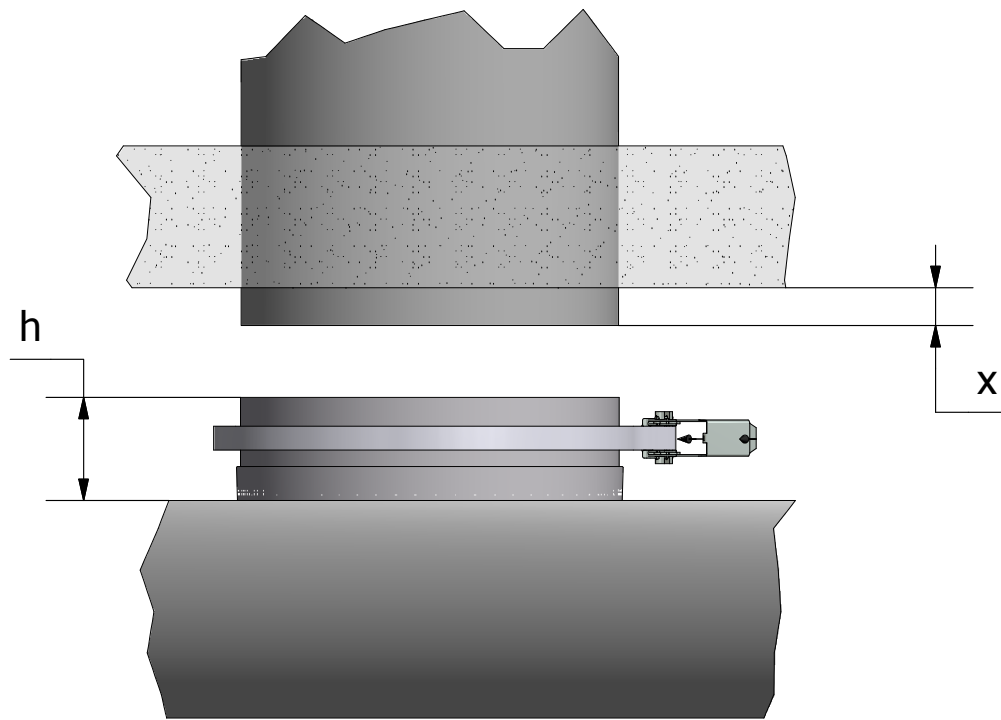


2



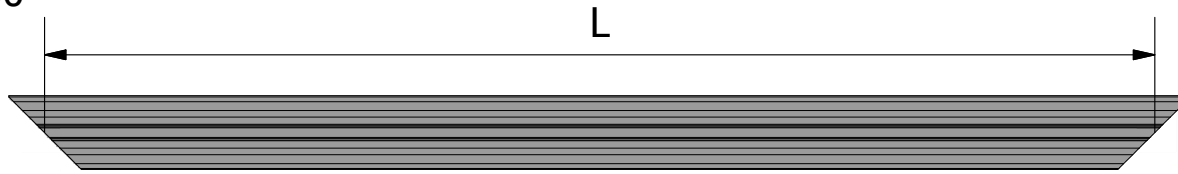
4



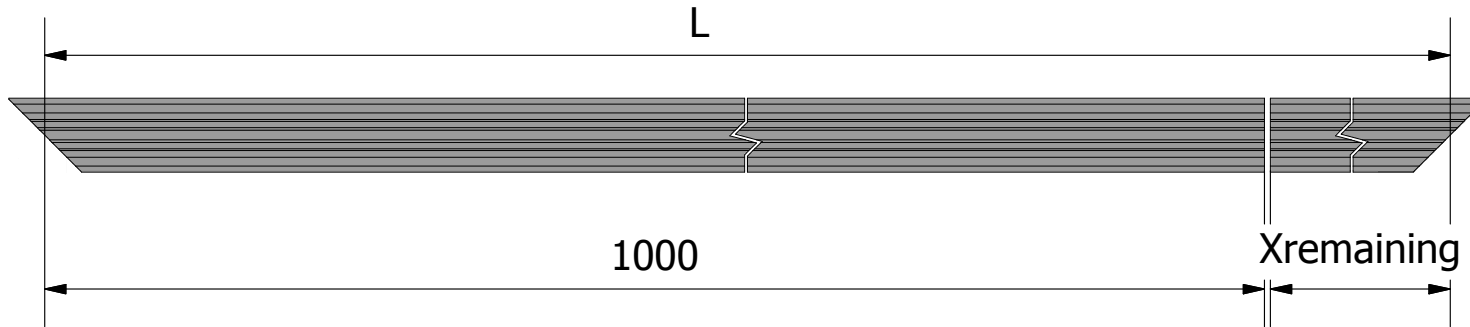


$$40\text{mm}[1.6"] \leq x \leq h$$

I. $L \leq 1950$

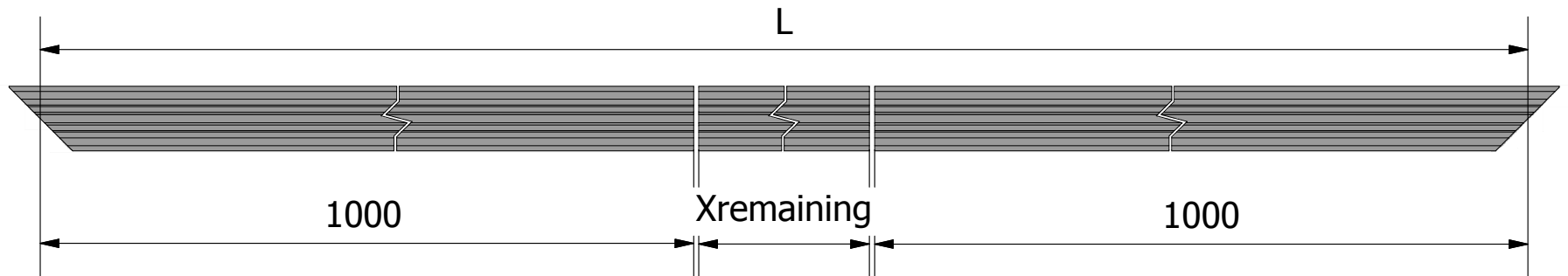


II. $1950 \leq L < 2000$



$$X_{\text{remaining}} = L - 1000$$

III. $L > 2000$



$$X_{\text{remaining}} = L - (2 \times 1000)$$