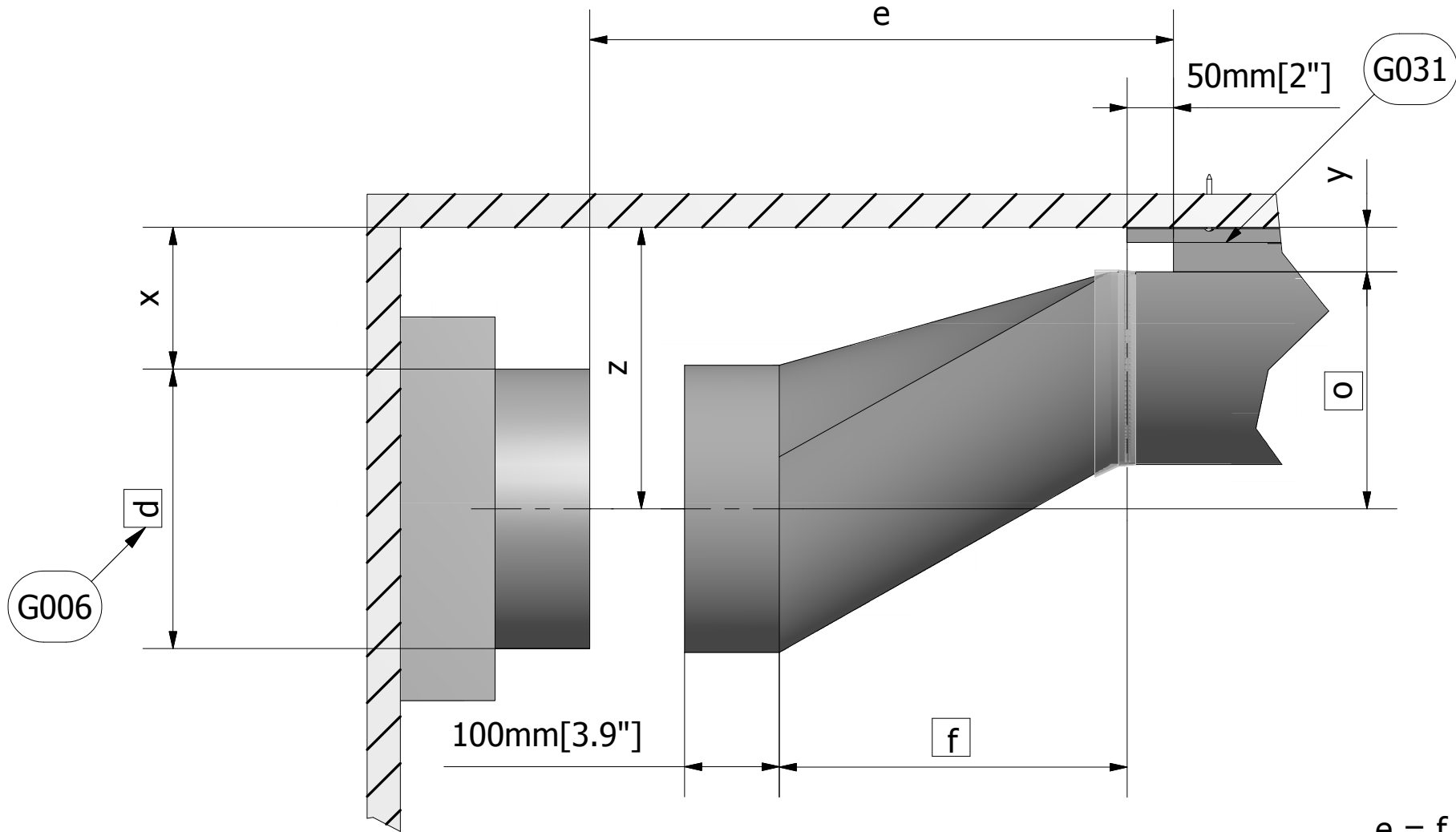


11a.00

Type 11a
FabricAir® Installation Drawing
2003-11a00-000 (2017-JAN)

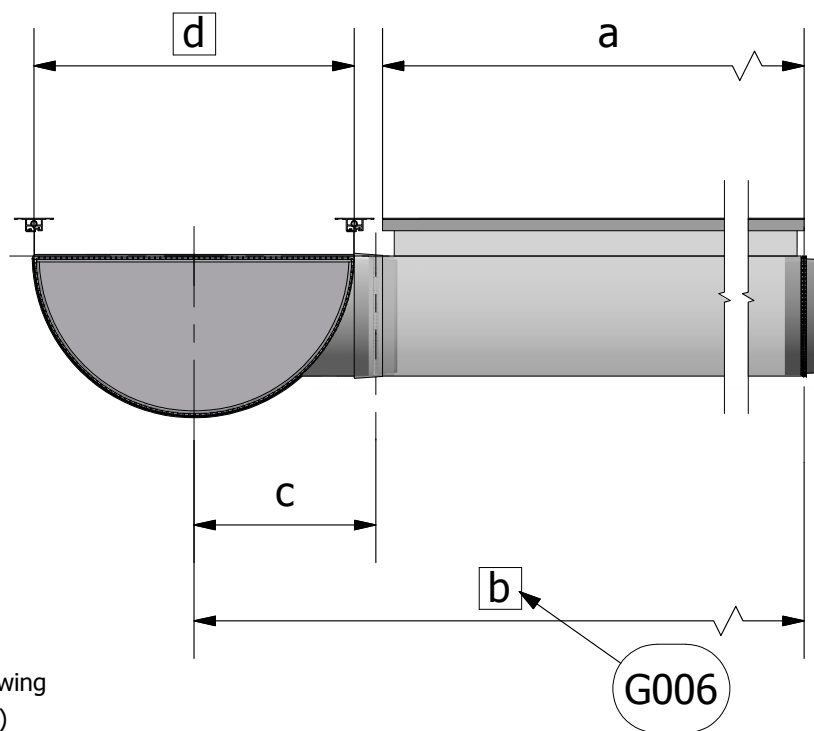
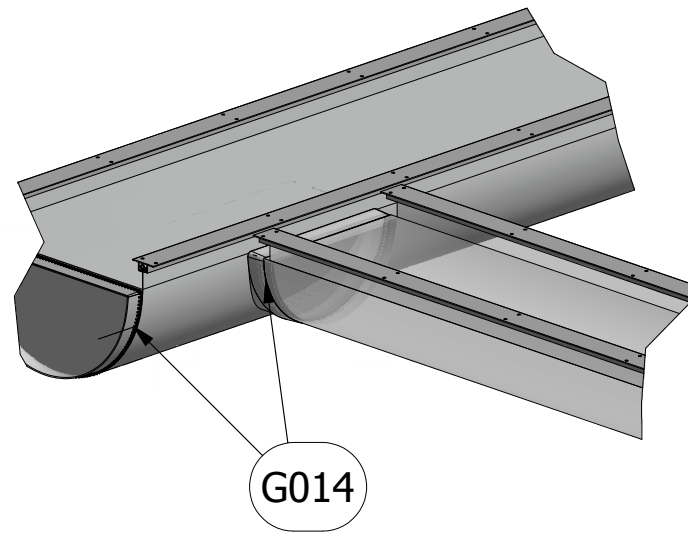
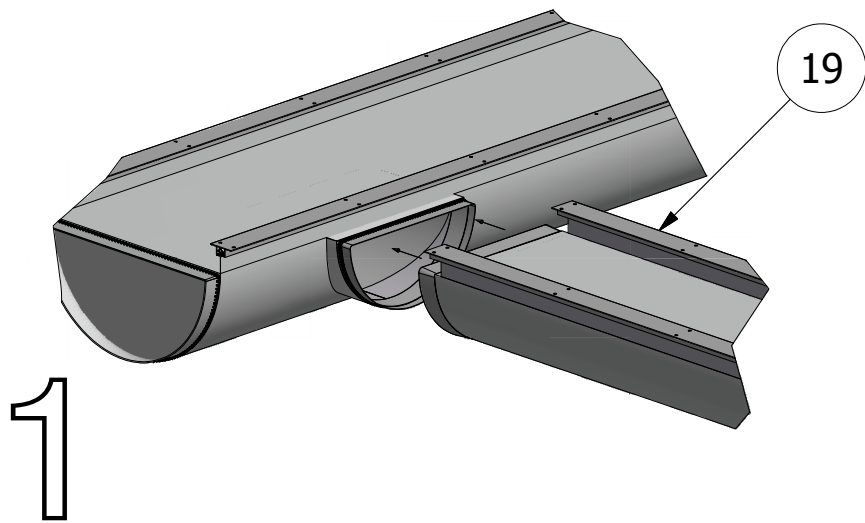


$$e = f + 50 \text{ mm [2"]}$$

$$z = x + \frac{1}{2} d$$

$$z = o + y$$

$$y = 30 \text{ mm [1.18"]}$$

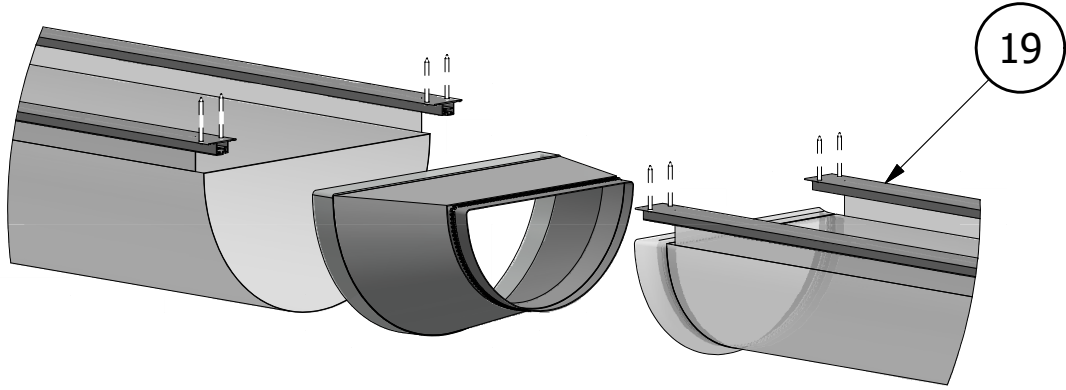


$$c = \frac{1}{2}d + 30 \text{ mm}[1.18"]$$

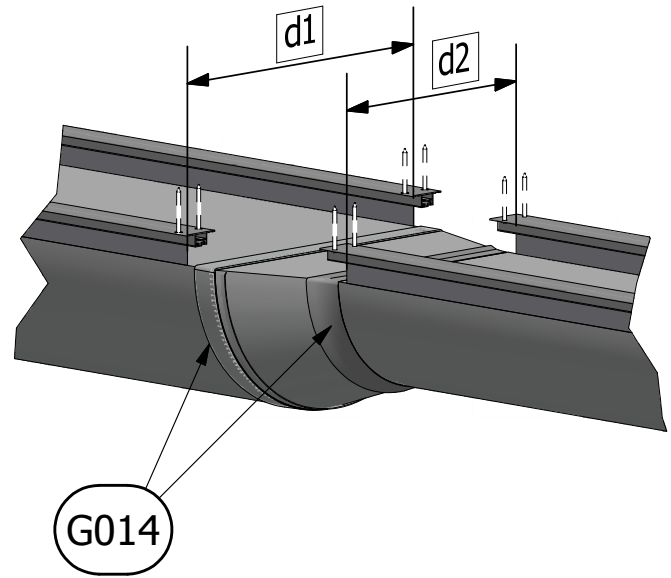
$$a = b - (\frac{1}{2}d + 35\text{mm}[1.37"])$$

11a.03

Type 11a
FabricAir® Installation Drawing
2003-11a03-000 (2017-JAN)



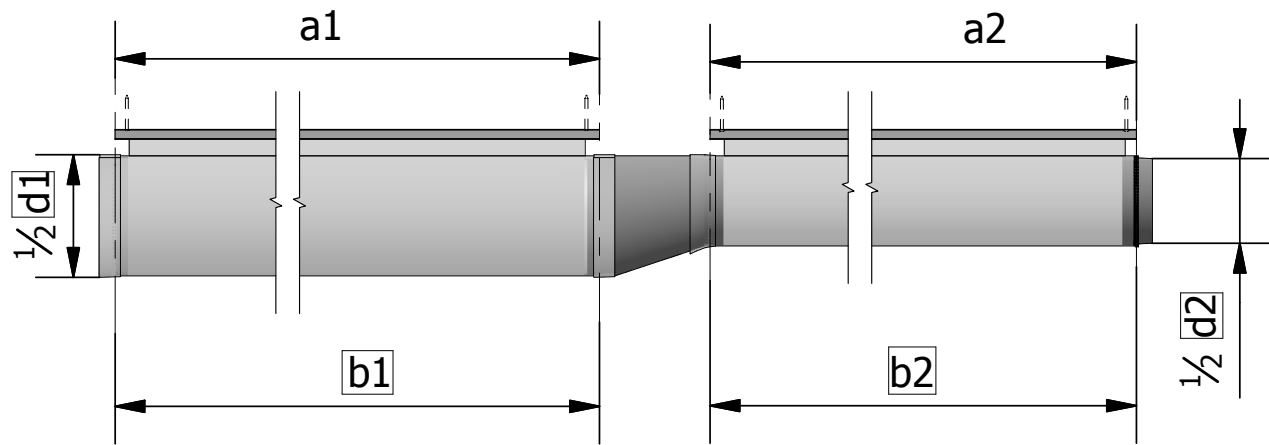
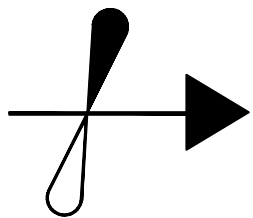
1



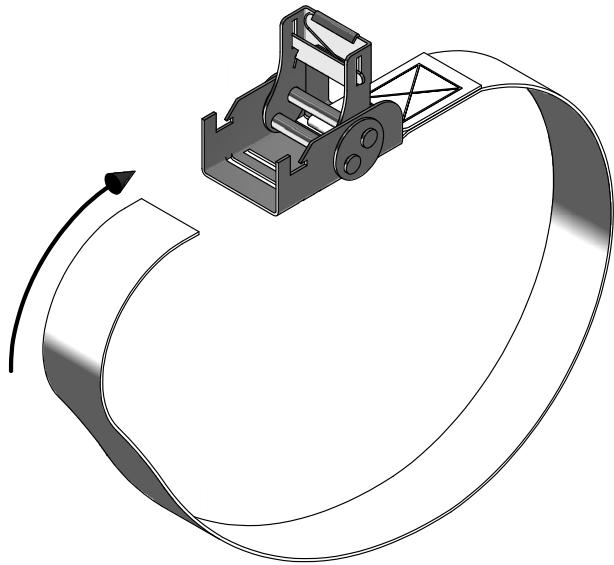
2

$$a1 = b1$$

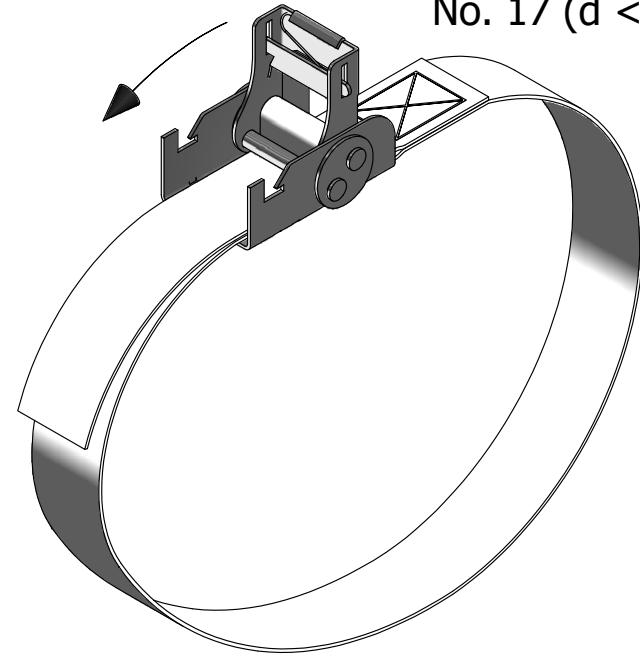
$$a2 = b2$$



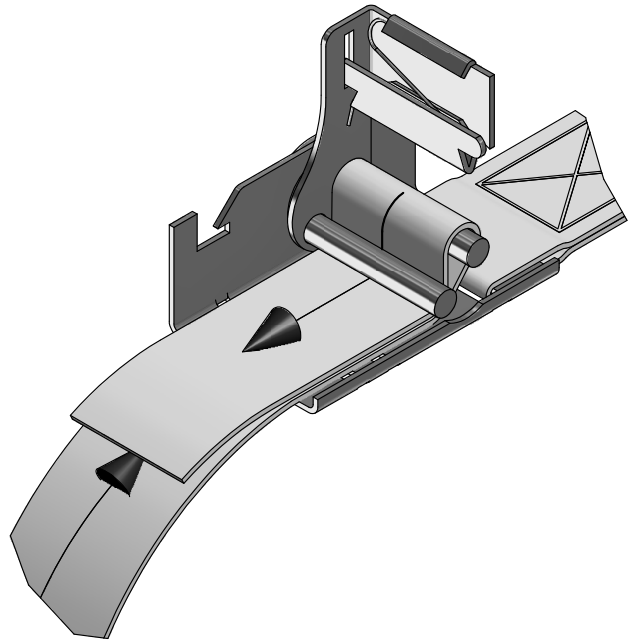
No. 17 (d < 508mm [20in])



1



3

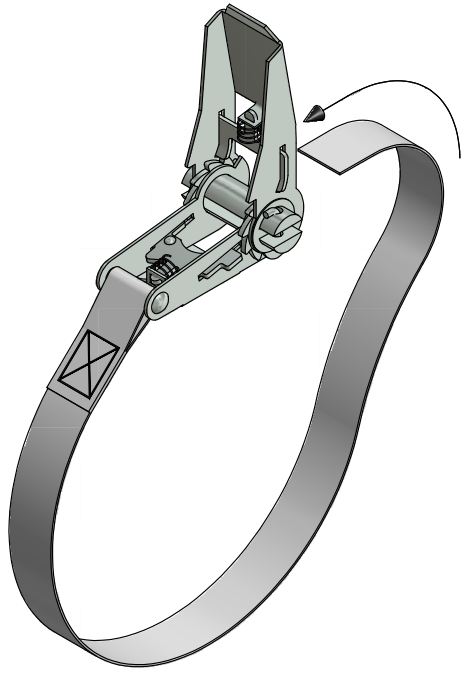


2

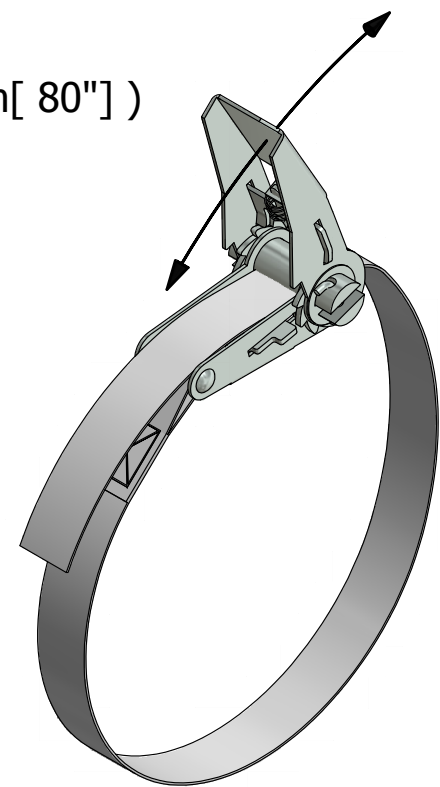


4

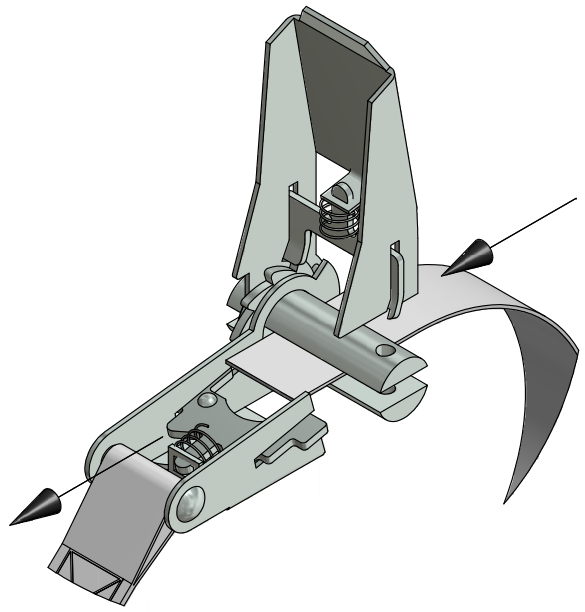
No. 18 (508mm [20"] < d < 2032mm[80"])



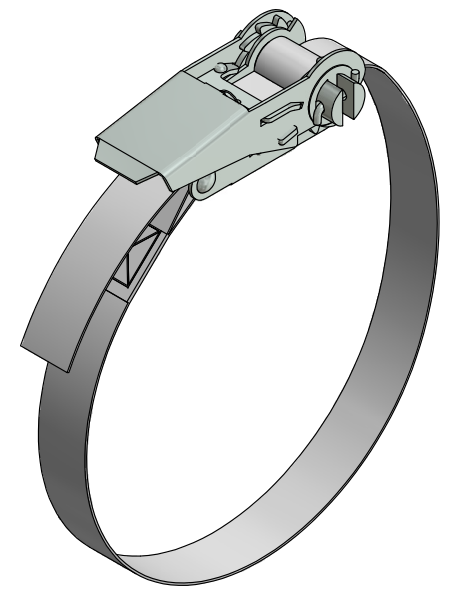
1



3

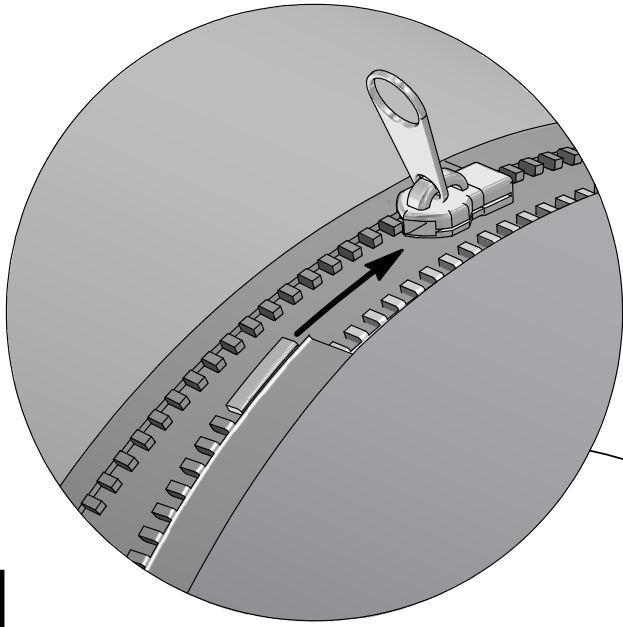


2

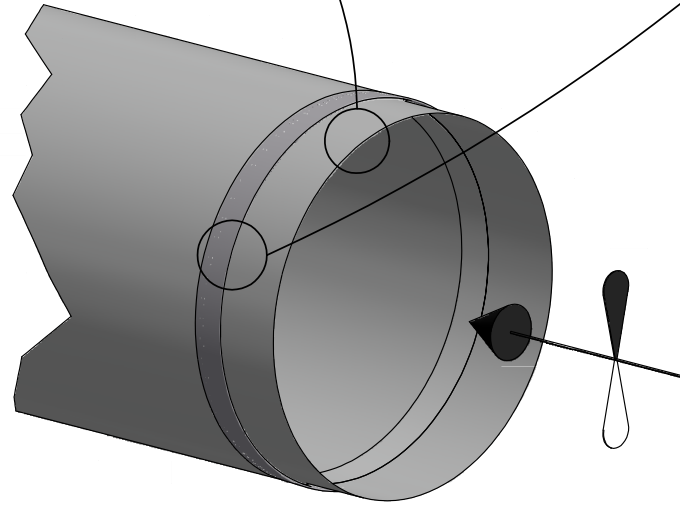
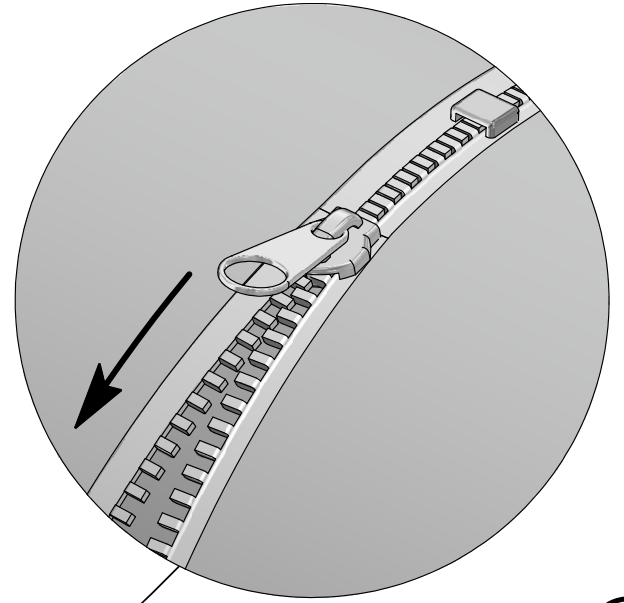


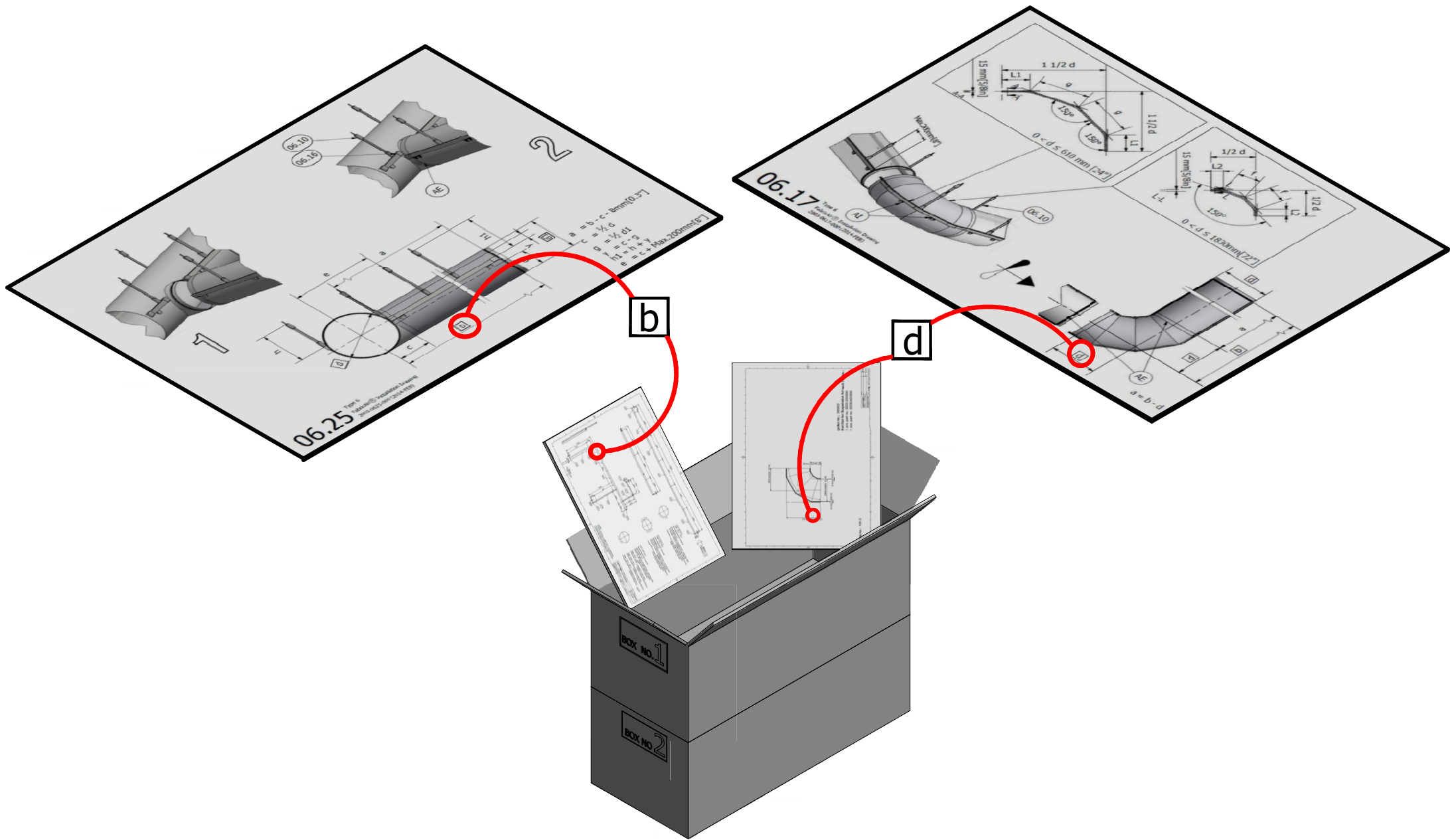
4

1

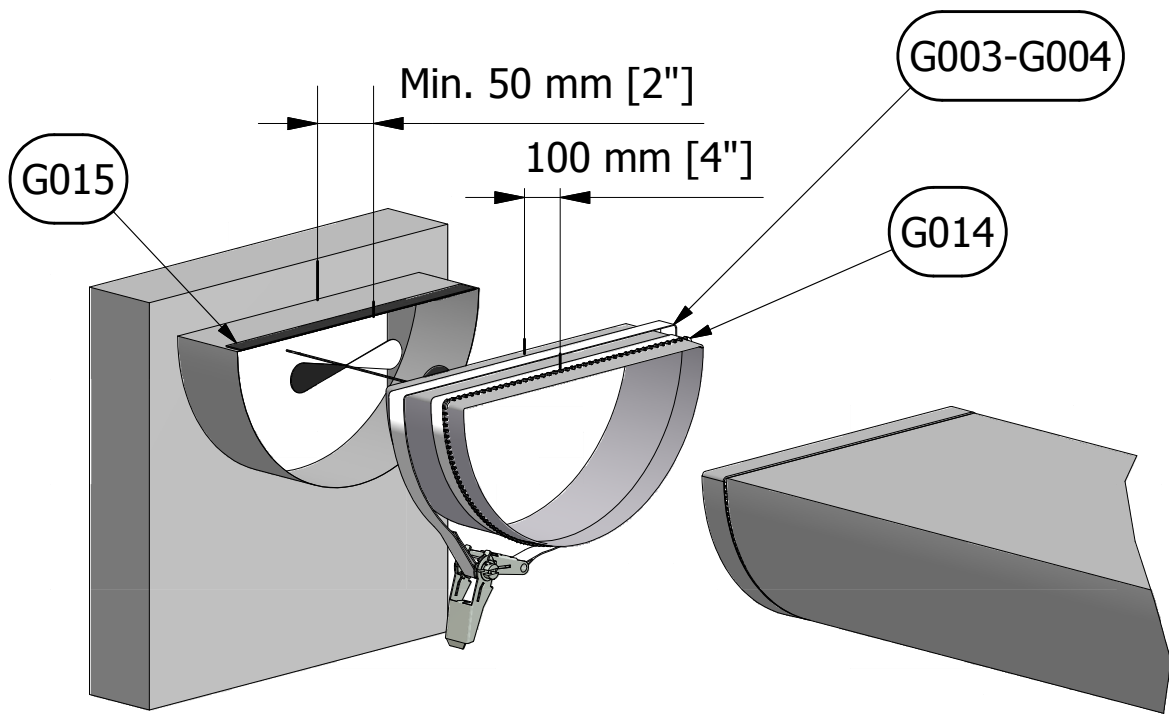


2

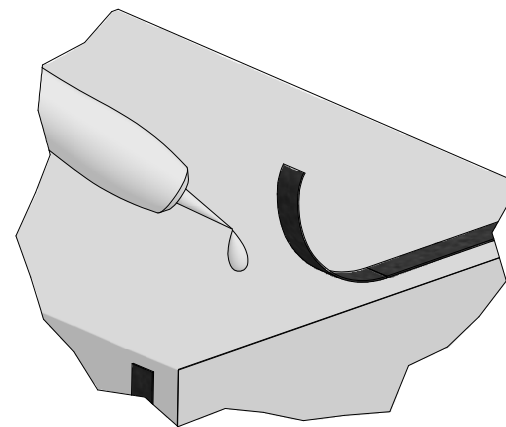




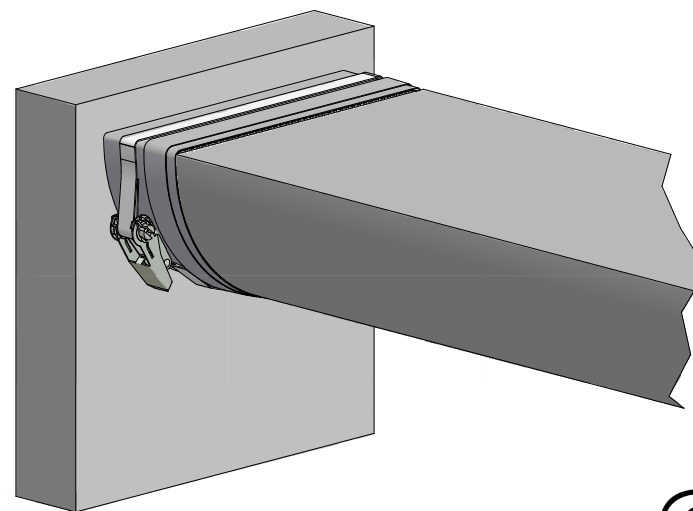
Note:
The Dimensions given in squares can be found in system drawing which is in box 1 .



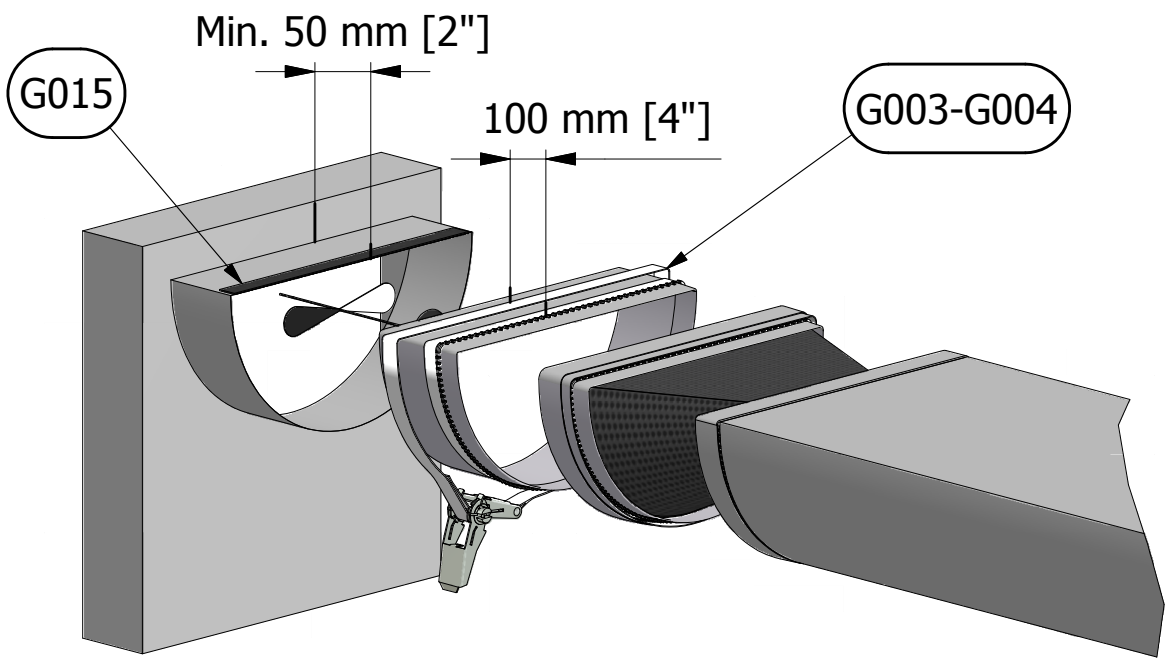
2



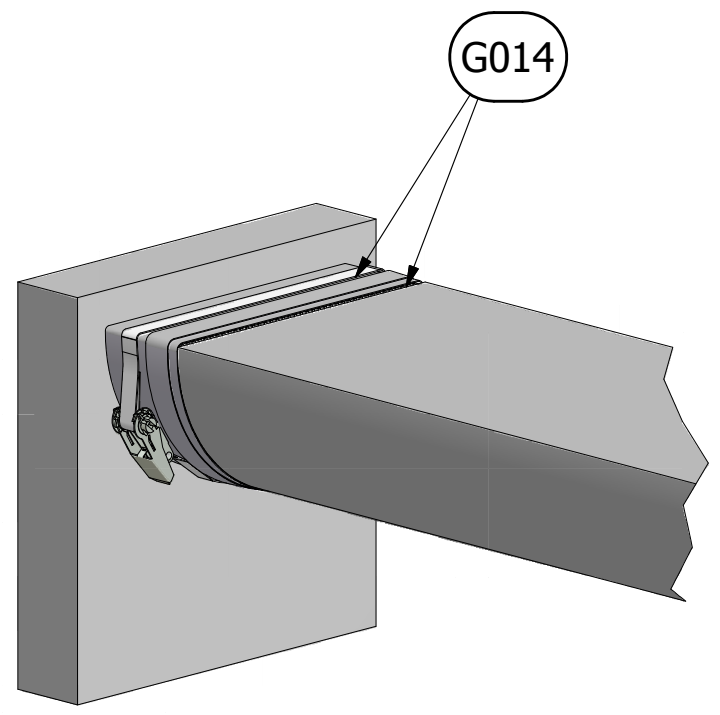
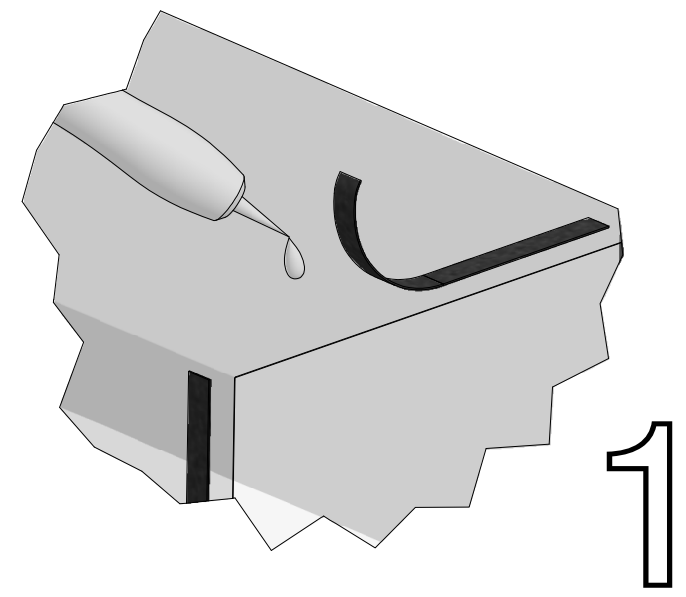
1

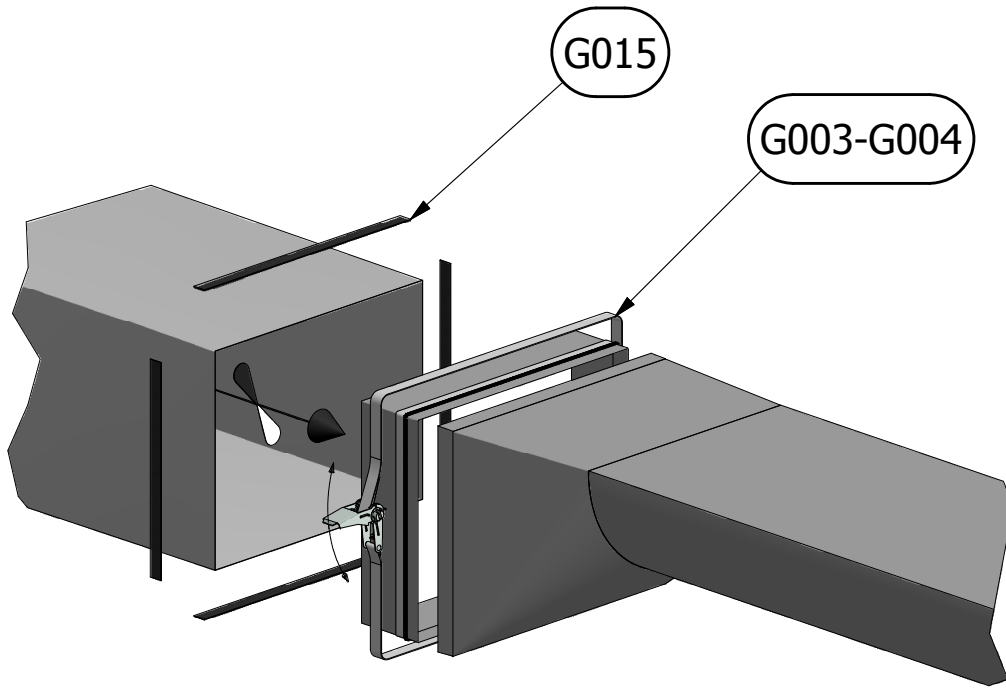


3

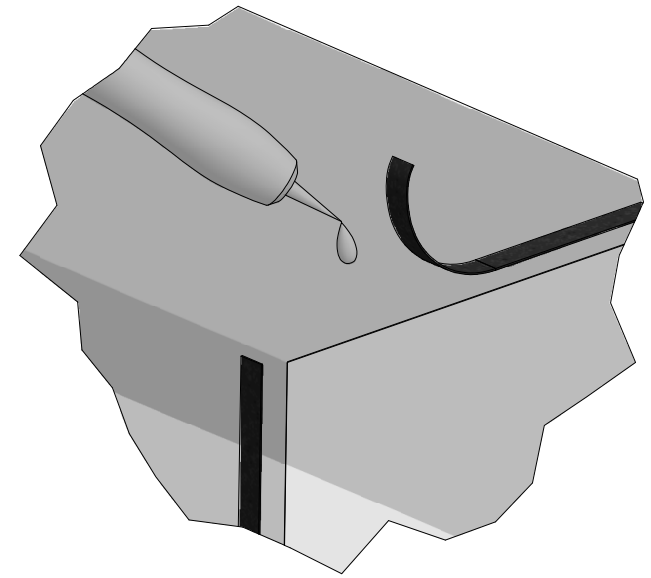


2

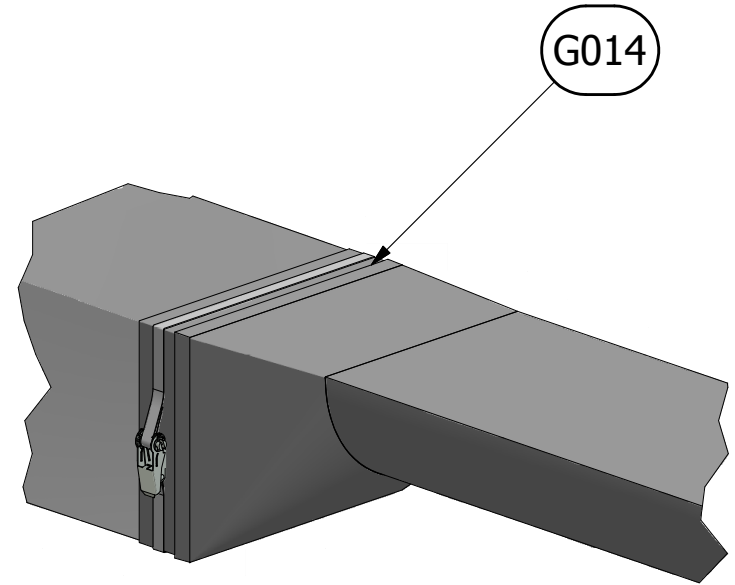




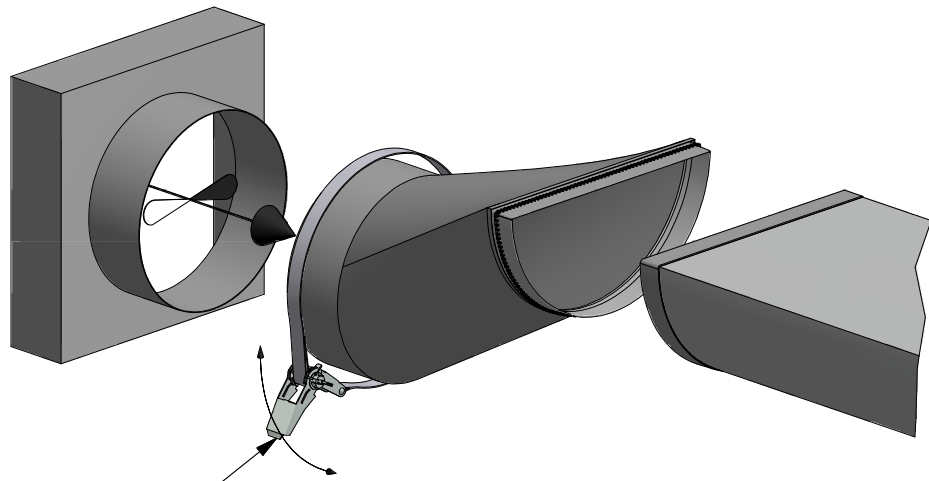
2



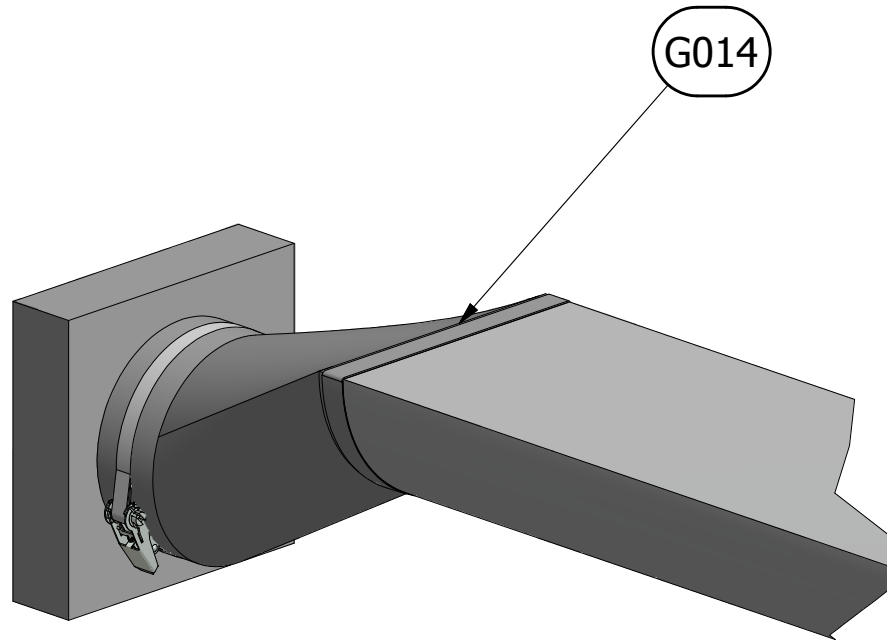
1



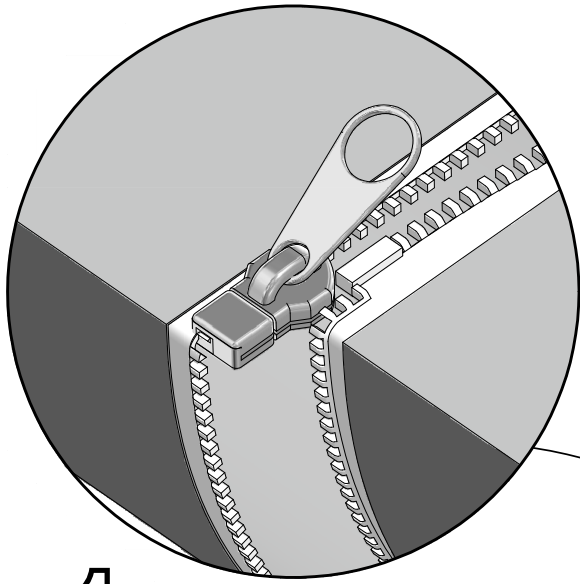
3



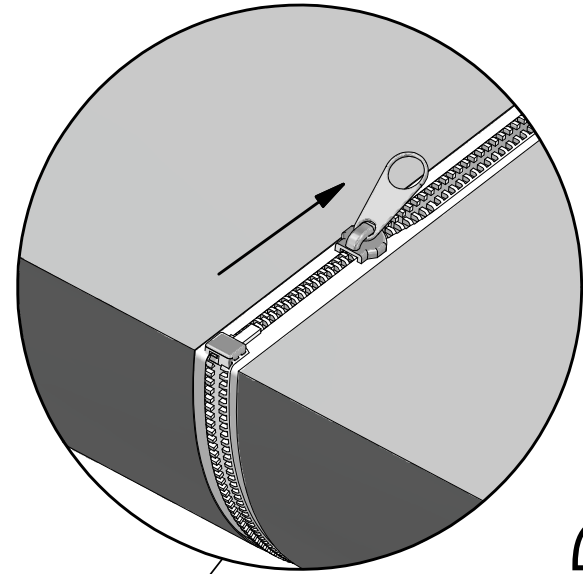
G004



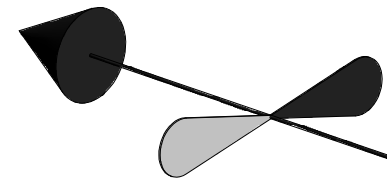
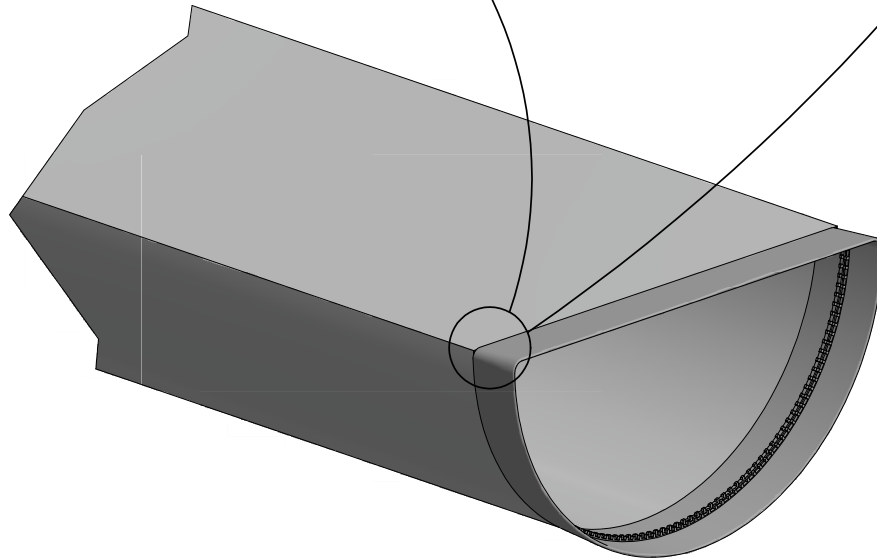
G014

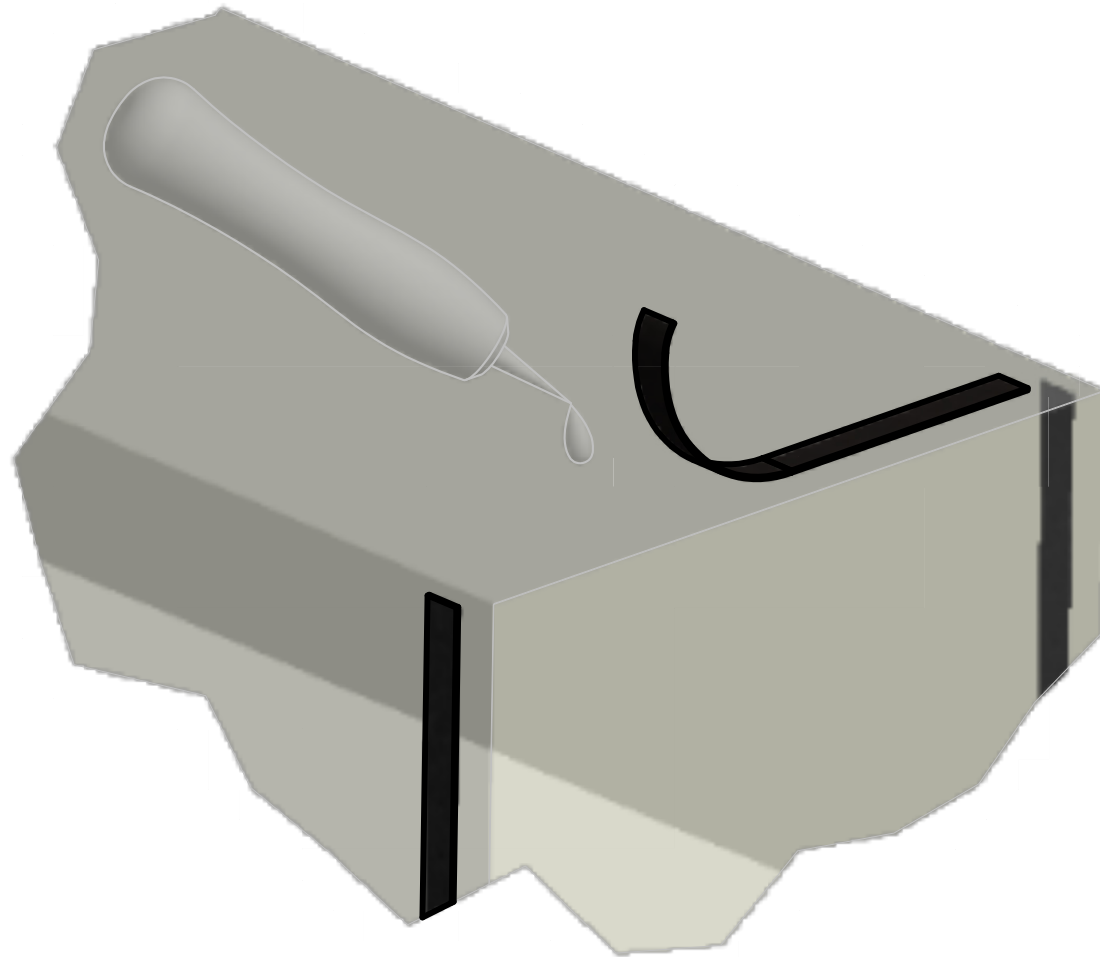


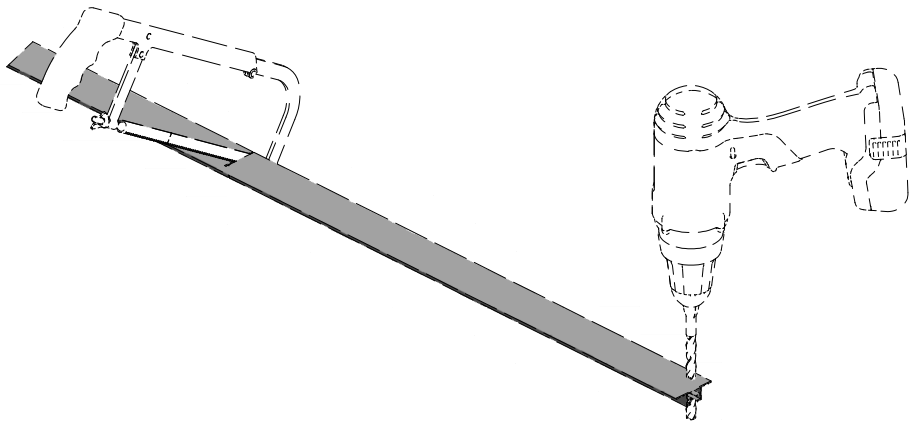
1



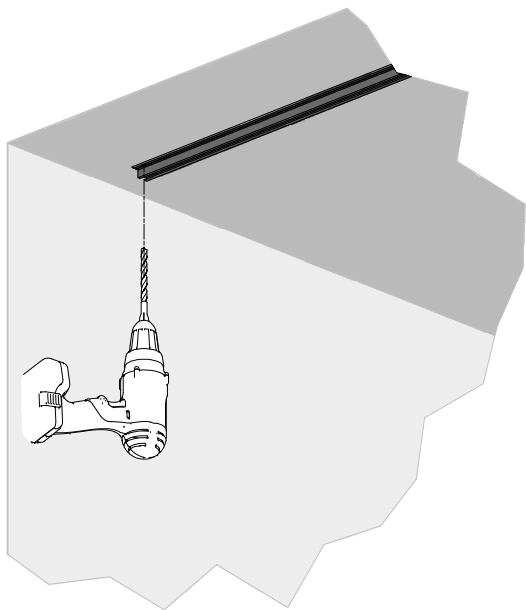
2



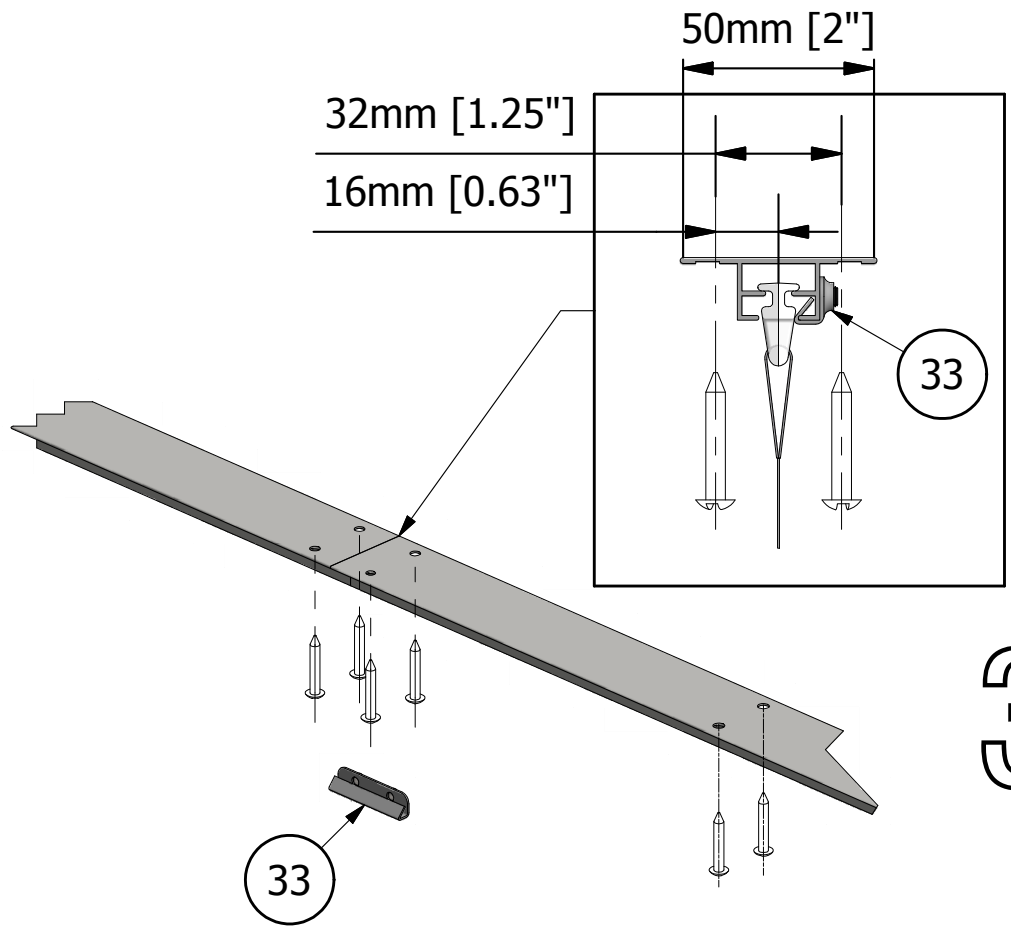




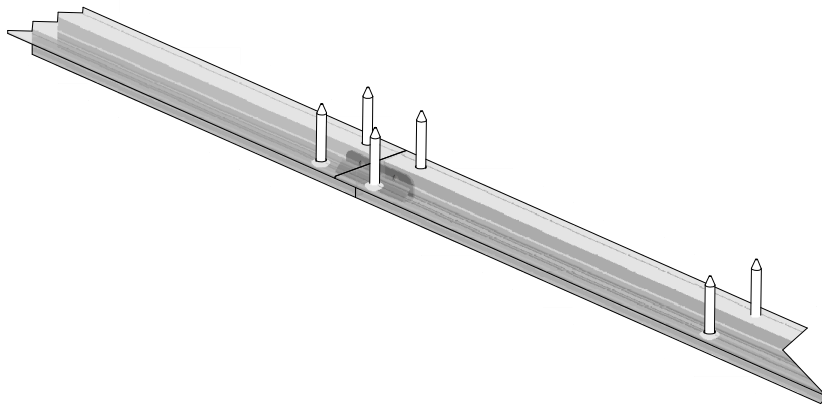
1



2



3



4

FabricAir

ORDER NO : 1473677

CONTENTS OF BOX NO. 1/2:

INSTRUCTION BAG 1 pcs.

-Drawing Included 1 pcs.

Distribution Ducts

Tag no. 100.1 Inlet Ø 1060 x 100 2 pcs.

Tag no. 100.2 Inlet Ø 1060 x 2625 2 pcs.

Tag no. 100.5 Inlet Ø 500 x 1000 x 9330 2 pcs.

Suspensions

(05) STRETCHER M6 x 90,GV 12 pcs

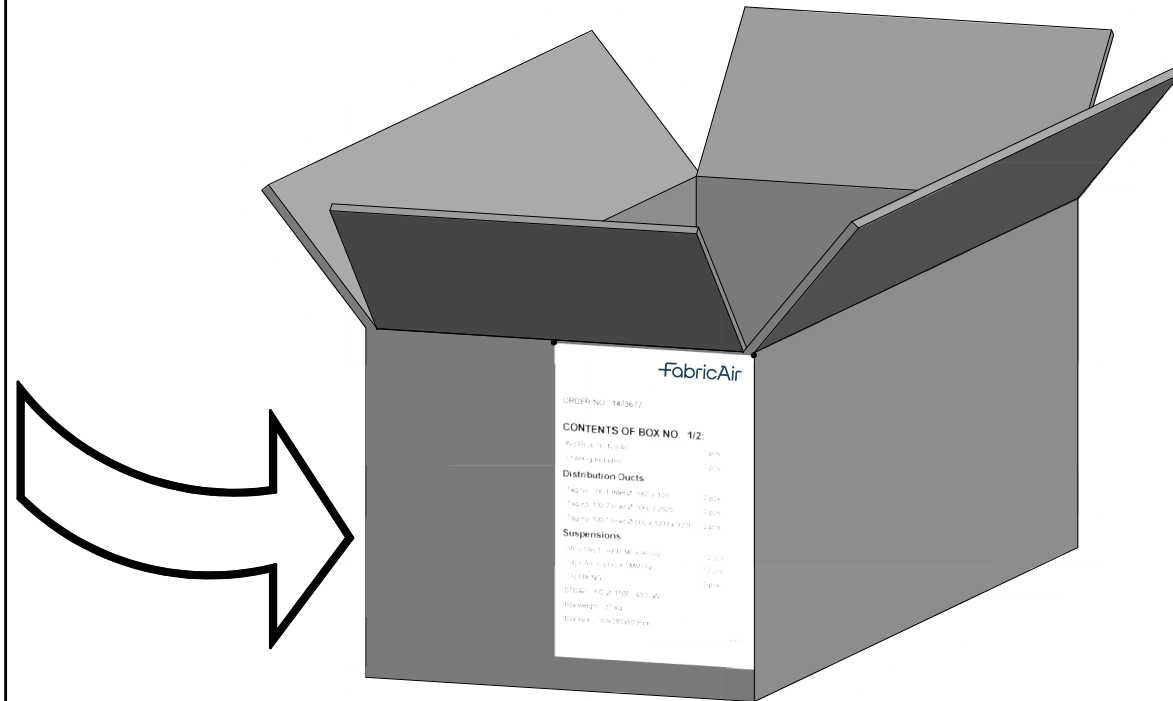
(14) CABLE LOCK 5MM,GV 52 pcs

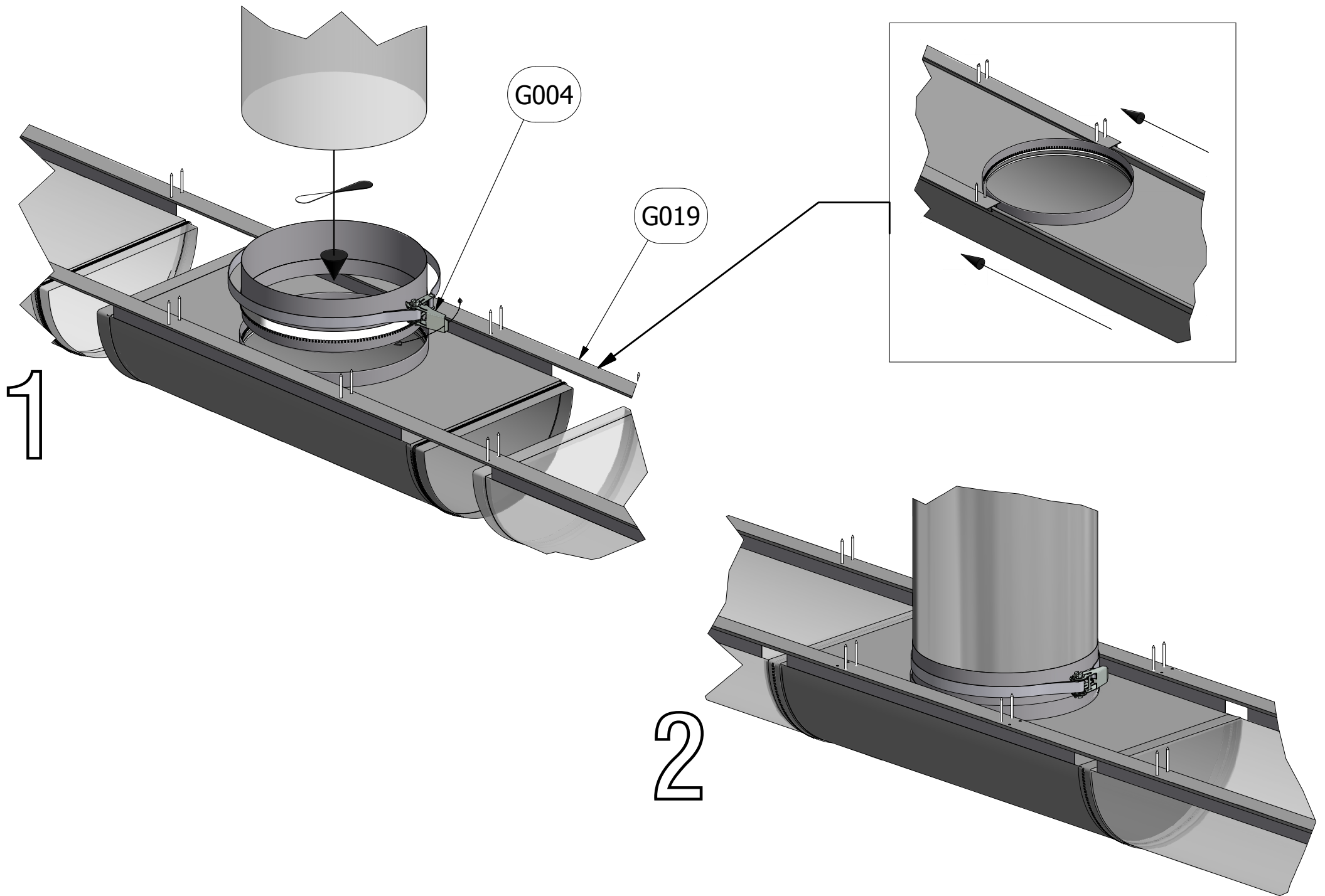
(18) FIXING 2 pcs

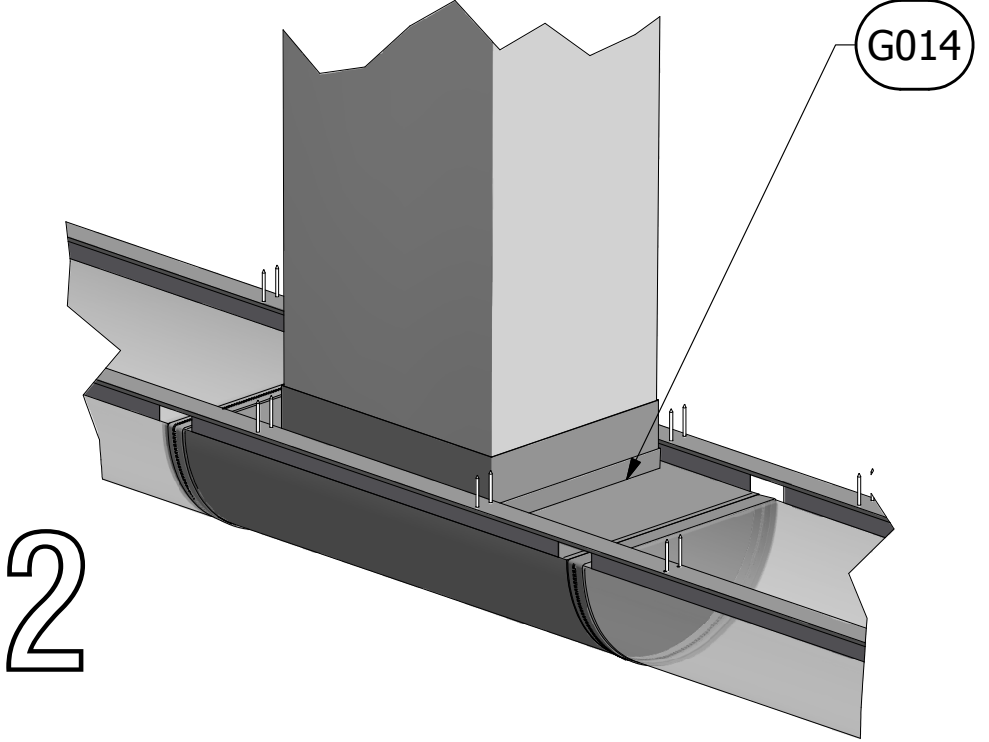
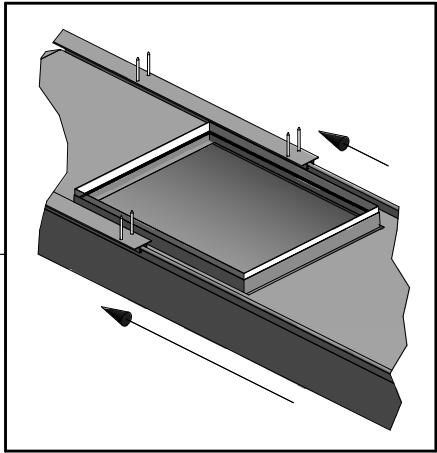
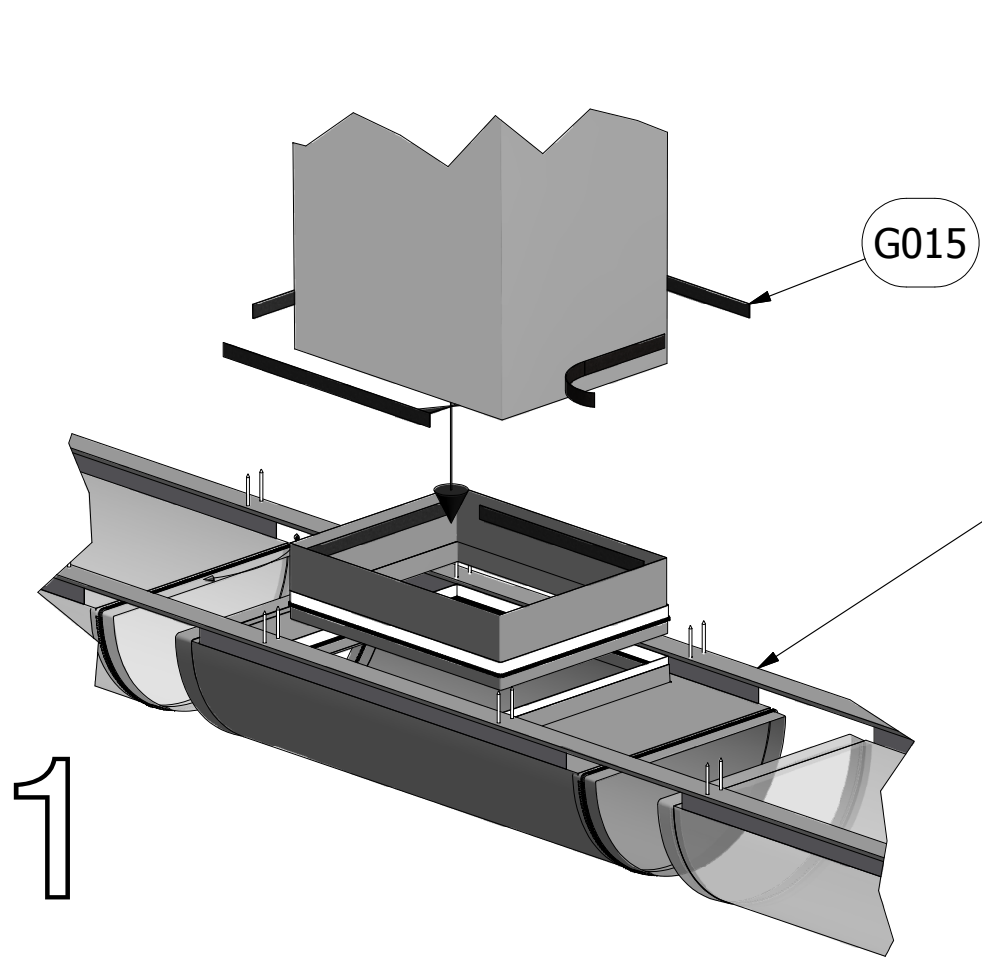
STRAP , Y/2 , Ø 1100 / 43.3 "W

Box weight : 31 kg

Box size : 780x380x500mm

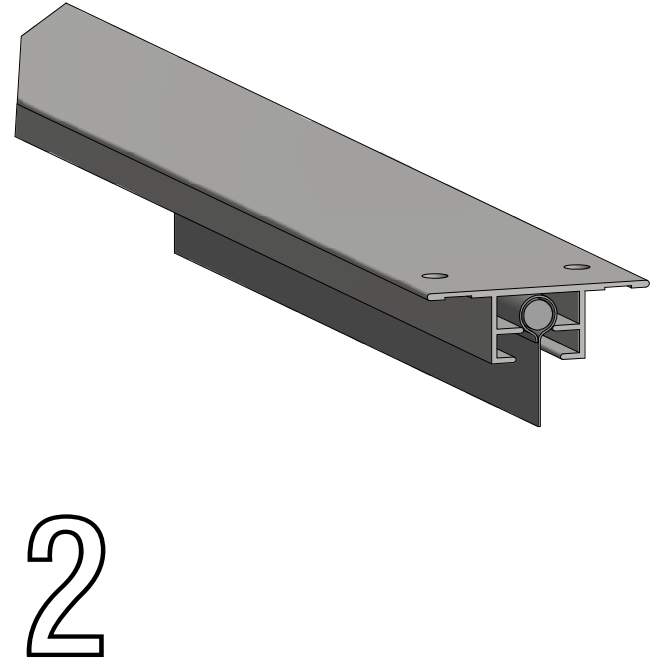
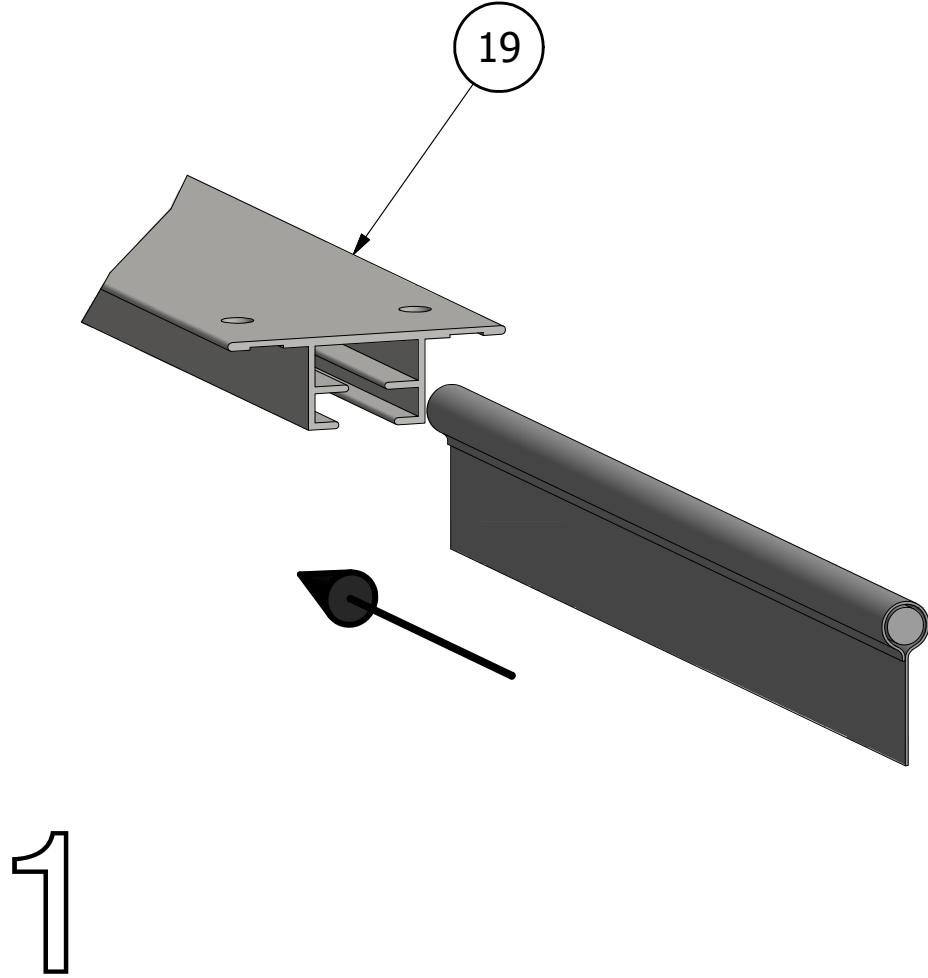


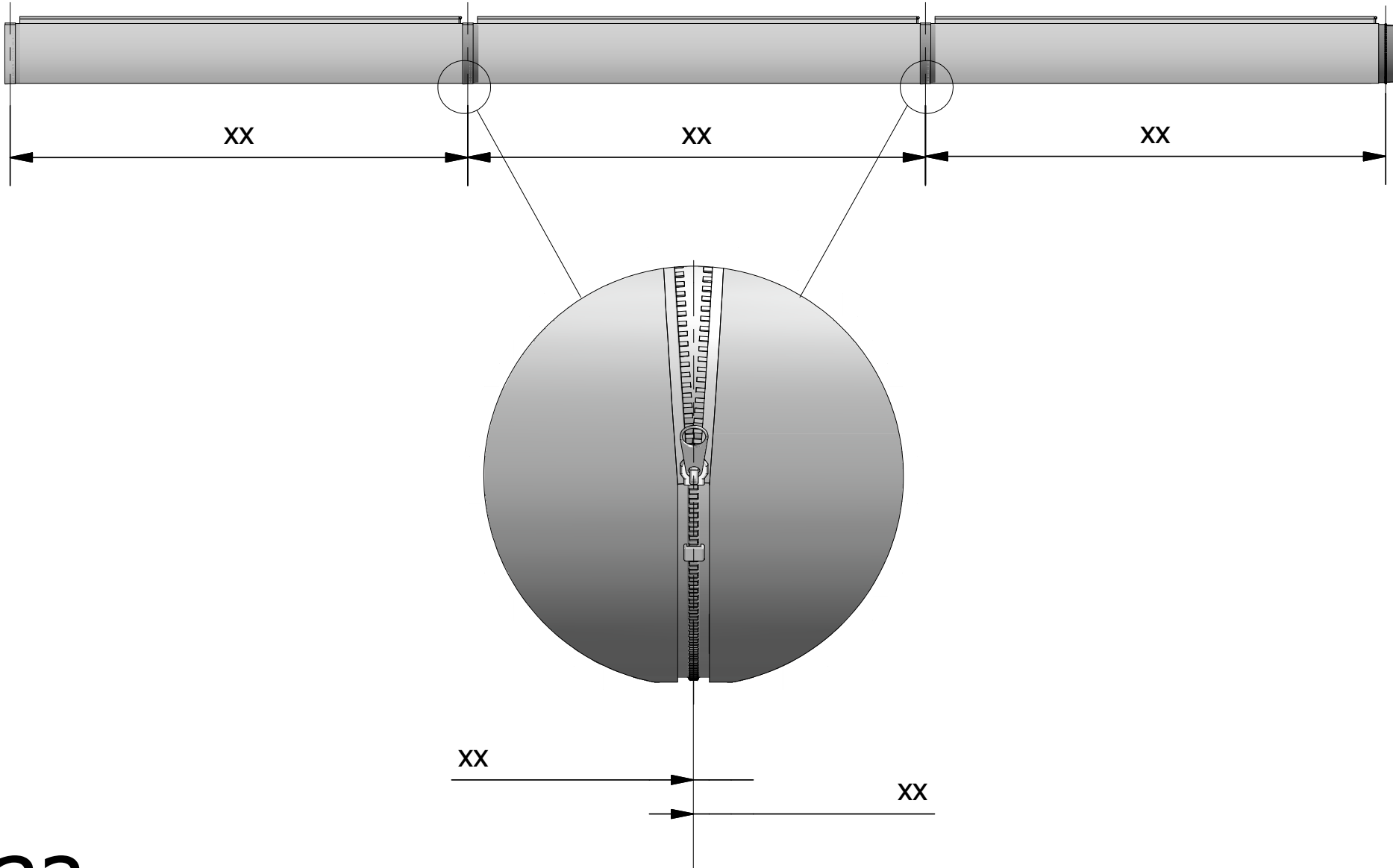


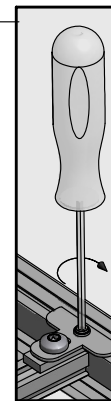
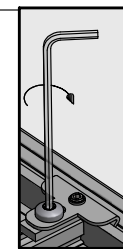
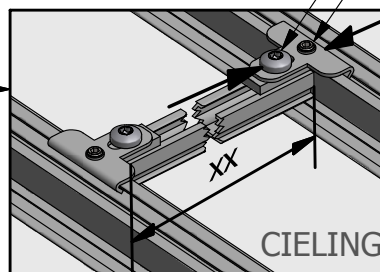
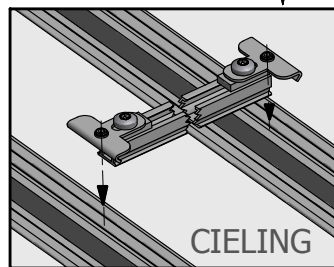
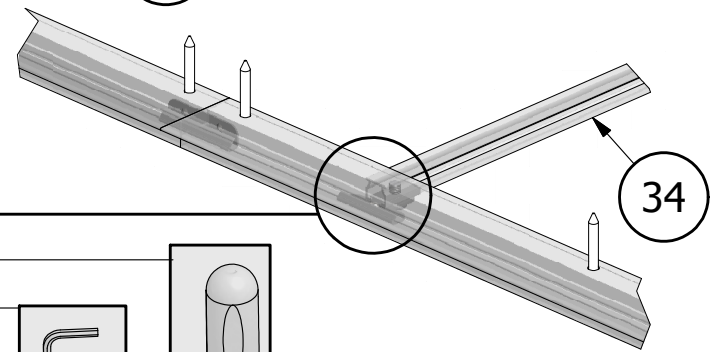
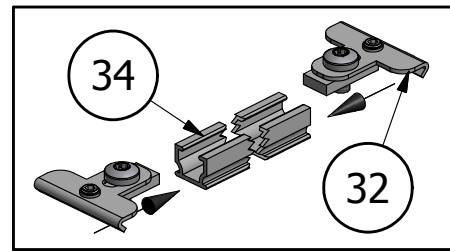
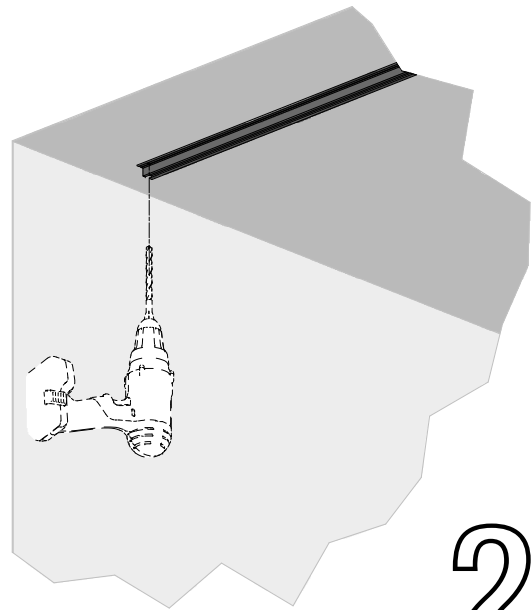
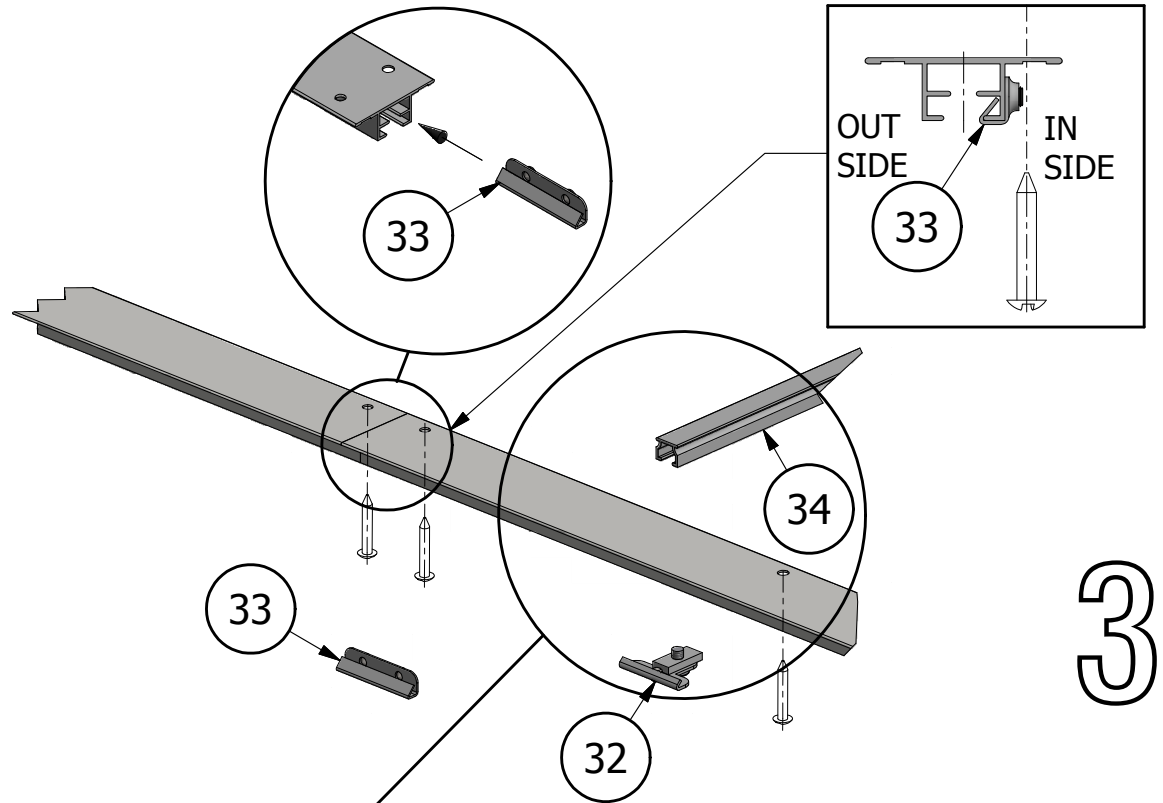
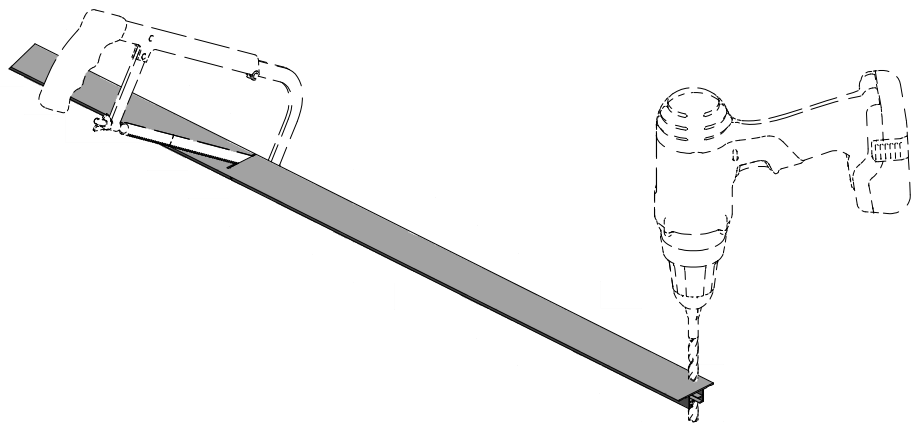


G030

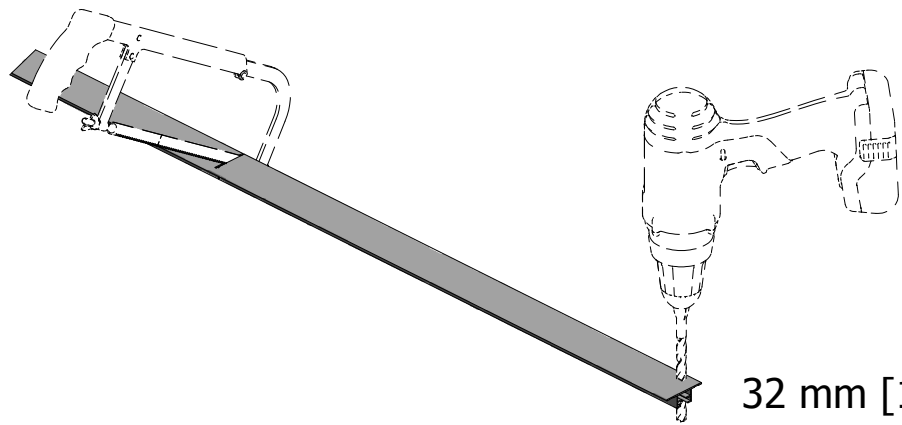
FabricAir® Installation Drawing
2003-G030-000 (2015-JUN)







4

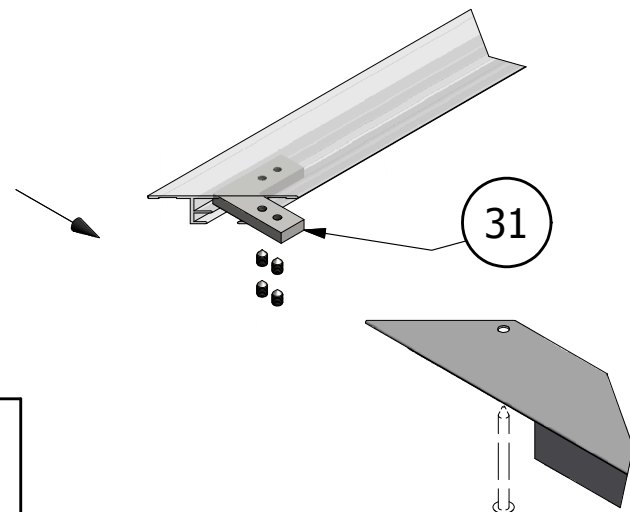
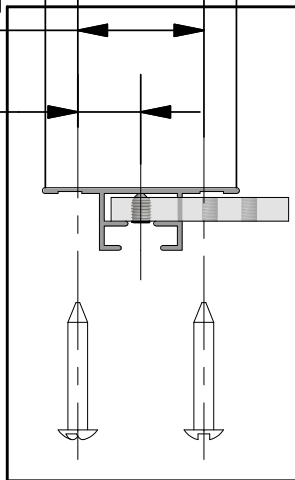


1

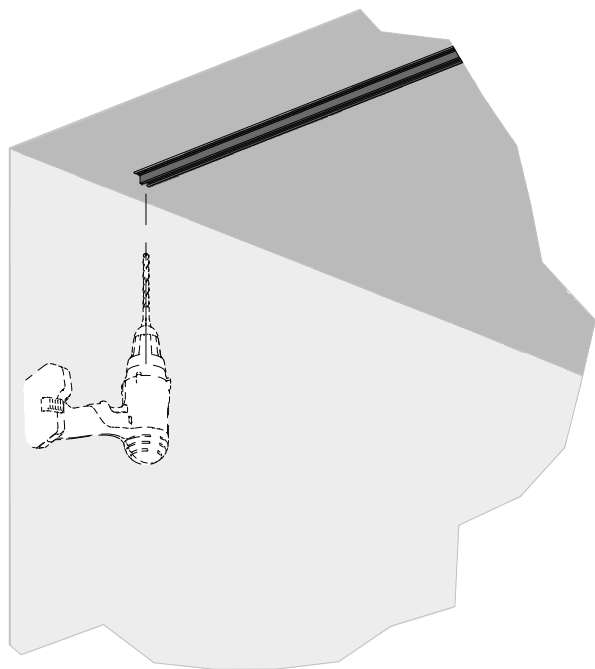
32 mm [1.25"]

16 mm [0.63"]

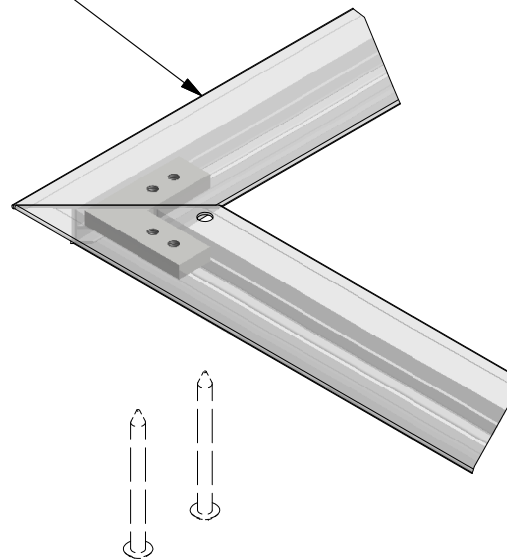
50 mm [2"]



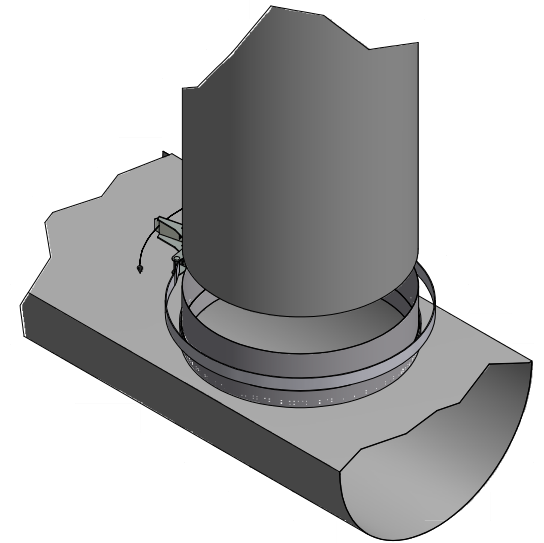
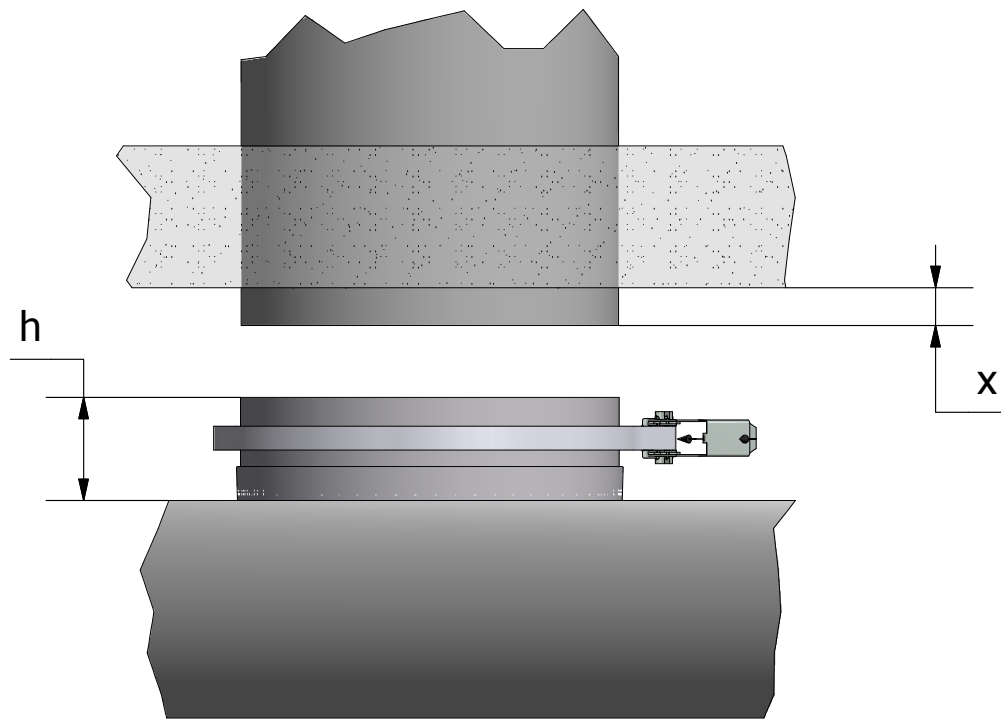
3



2

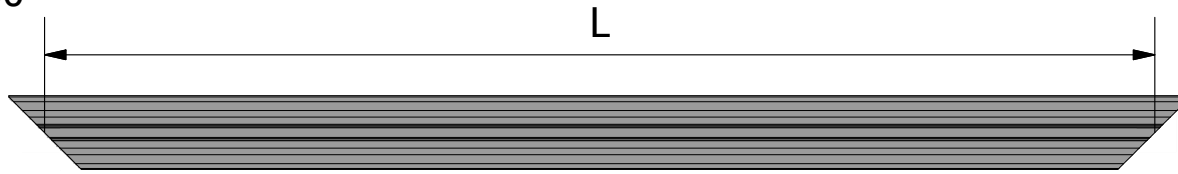


4

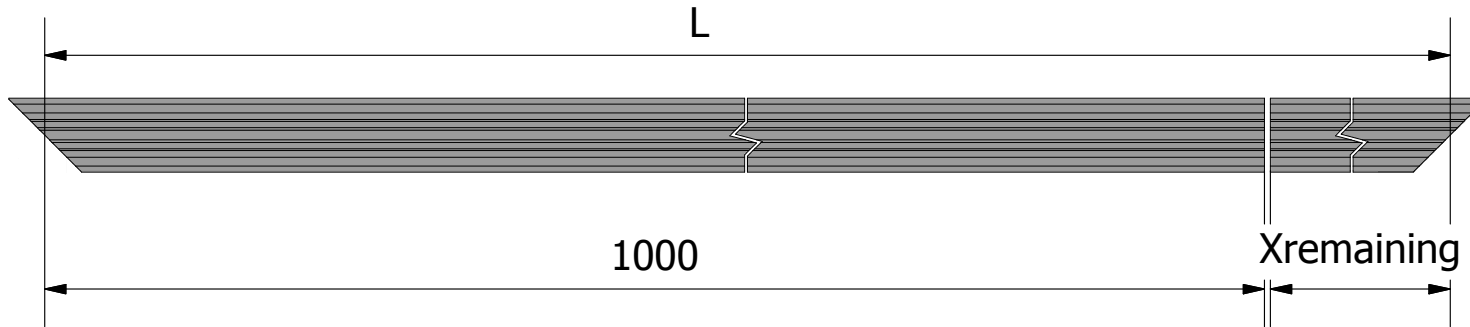


$$40\text{mm}[1.6"] \leq x \leq h$$

I. $L \leq 1950$

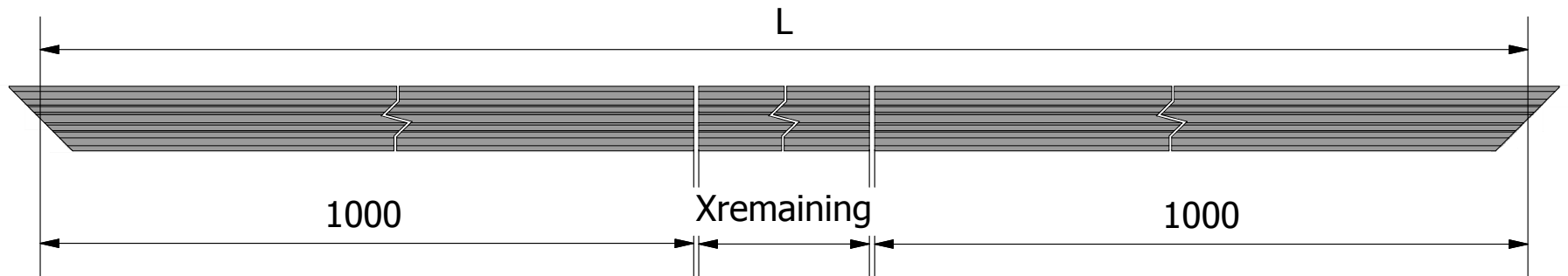


II. $1950 \leq L < 2000$



$$X_{\text{remaining}} = L - 1000$$

III. $L > 2000$



$$X_{\text{remaining}} = L - (2 \times 1000)$$