

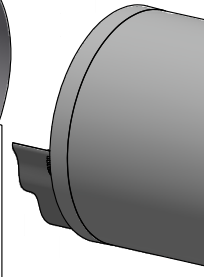
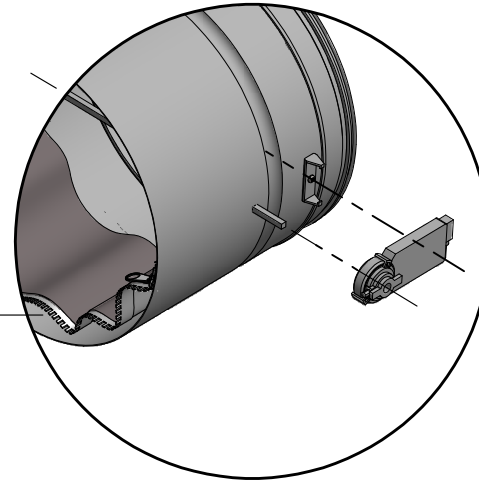
1

Min. 50mm [2"]

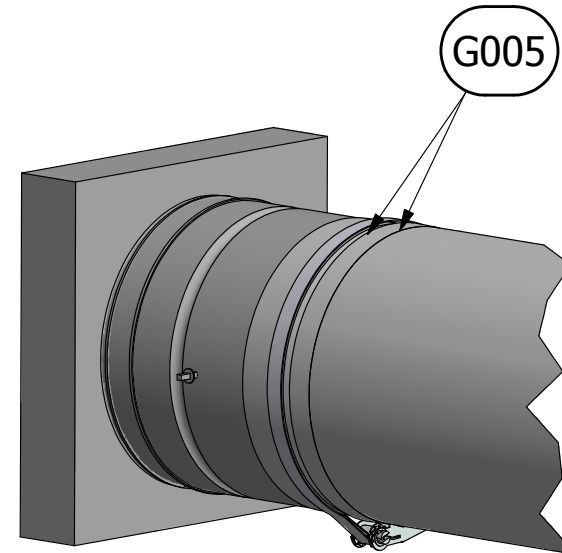
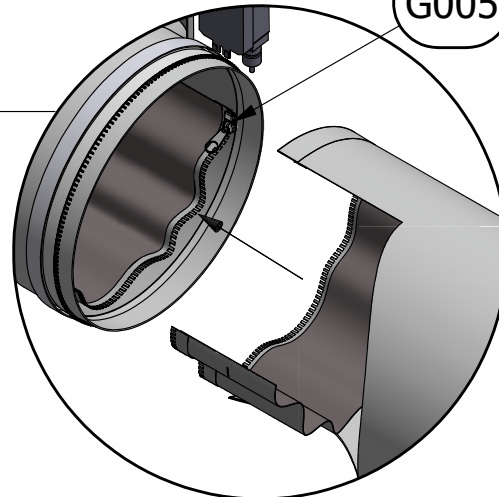
362 mm [14"]

100mm [4"]

90°



G005



2

G041

FabricAir® Installation Drawing
2003-G002-000 (2019-SEP)