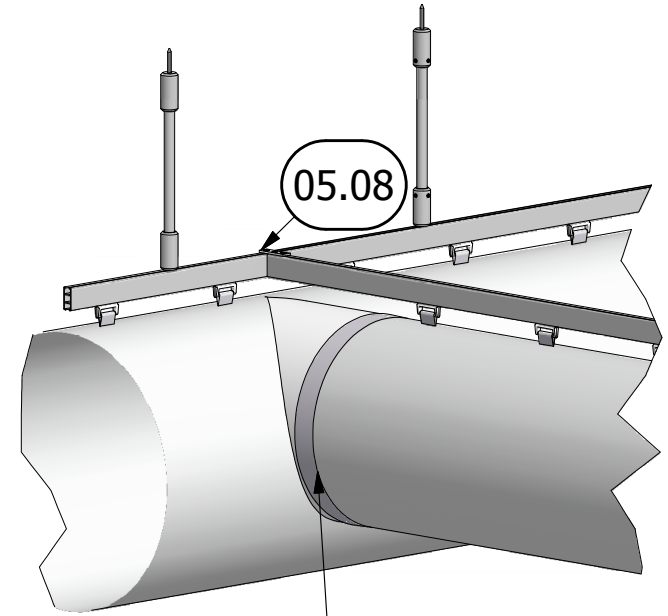
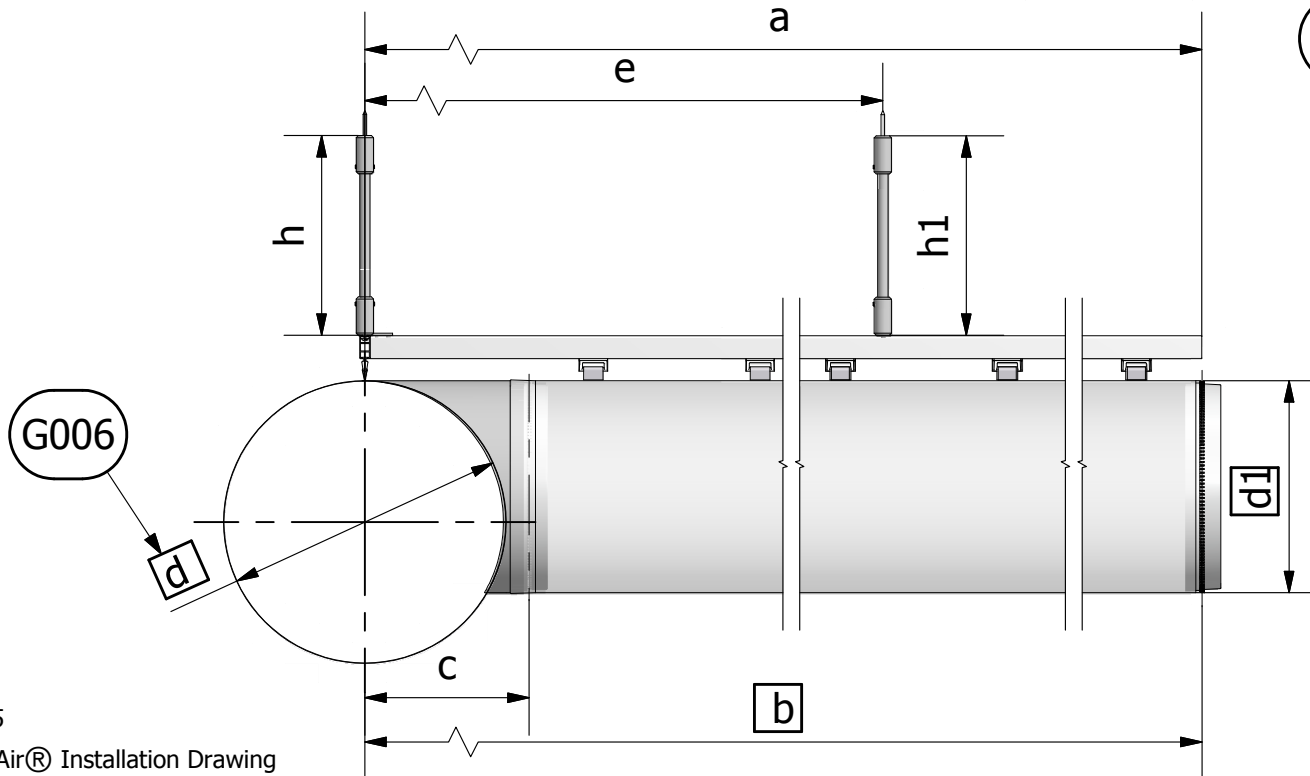


1



2



$$a = b - 8\text{mm}[0.3"]$$

$$c = \frac{1}{2} d + 35\text{ mm}[1.38"]$$

$$e = c + \text{Max.}1500\text{mm}[59"]$$

$$h = h1$$