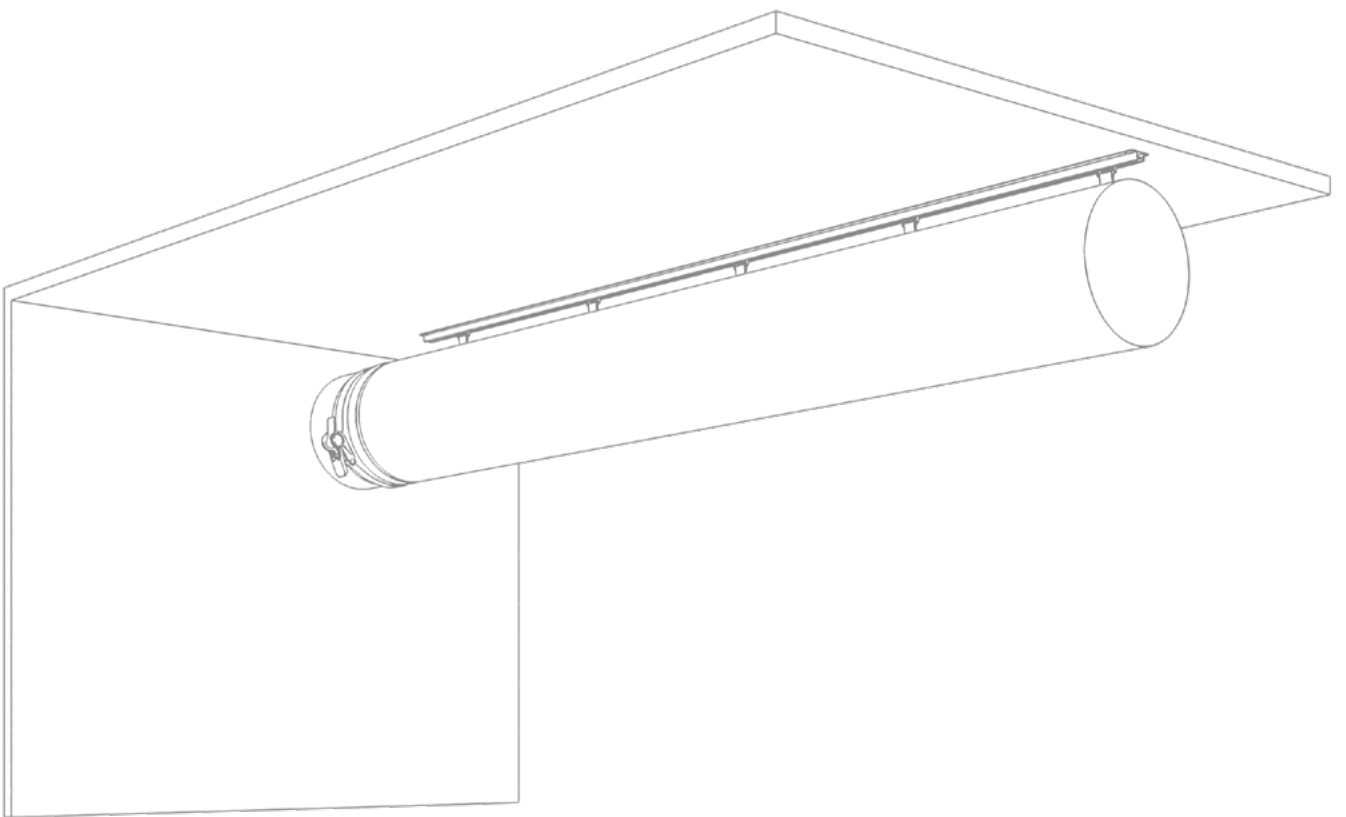


Type 03

Installation Manual



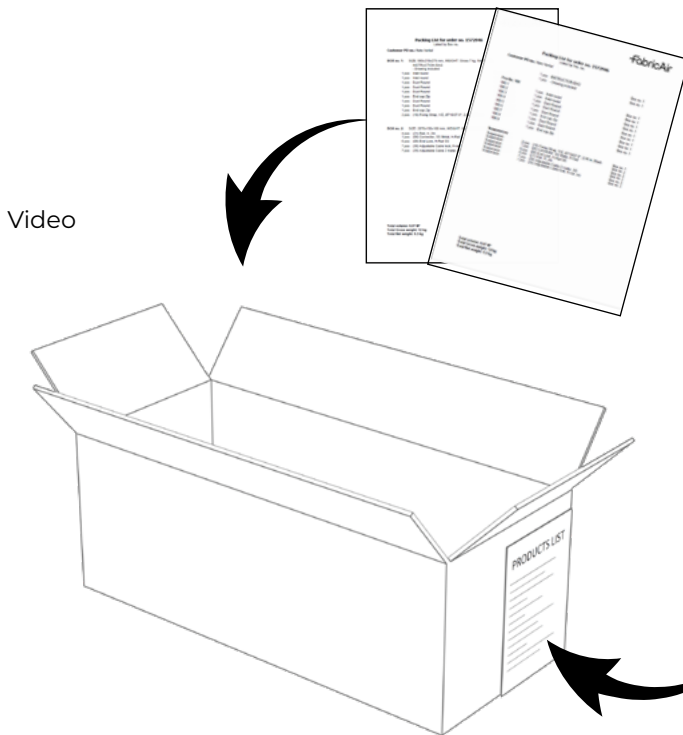
Type 03 suspension is compatible with classic, All-in-One, and Internal 360° Hoops ducts. T-Rail attached directly to any type of flat ceiling.

Type 03 provides closest distance between top of duct and ceiling.

Content

| | |
|---|-----------|
| 1.0 OPENING PACKAGE | 3 |
| 1.1 Understanding components table..... | 4 |
| 1.2 Type 03 suspension components..... | 5 |
| 2.0 SUSPENSION INSTALLATION | 6 |
| 2.0 Suspension installation | 6 |
| 2.1 Mounting T-Rail | 6 |
| 2.2 Mounting T-Rail for branches..... | 8 |
| 2.3 Branches..... | 9 |
| 2.4 Detailed suspension installation | 10 |
| 3.0 SHAPE RETAINING HARDWARE | 11 |
| 3.1 All-in-One | 11 |
| 3.2 Internal 360° Hoops assembly | 12 |
| 3.3 Internal 360° Hoops disassembly | 13 |
| 4.0 INSTALLATING THE FABRIC | 14 |
| 4.1 Connection to sheet metal part with fixing strap..... | 14 |
| 4.2 Fixing straps..... | 14 |
| 4.3 Installation of duct on T-Rail..... | 15 |
| 4.4 Taut Endcap installation | 16 |

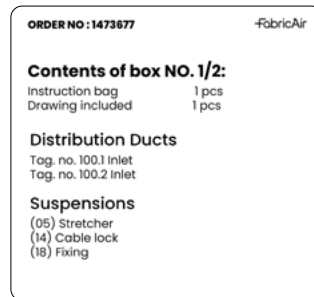
1.0 OPENING PACKAGE



Box 1 includes all project documentation:

- System Drawing(s)
- Installation Guide
- Packing List (by box)
- Packing List (by positions)

Box number and contents list visible on external box label.



| FabricAir | | |
|---|---|-----------|
| Packing List for order no. 1572946 | | |
| Listed by Pos. no. | | |
| Customer PO no.: Nate Verbal | | |
| | 1 pcs INSTRUCTION BAG | Box no. 1 |
| | 1 pcs - Drawing included | Box no. 1 |
| Pos No. 100 | | |
| 100.1 | 1 pcs Inlet round | Box no. 1 |
| 100.2 | 1 pcs Inlet round | Box no. 1 |
| 100.3 | 1 pcs Duct Round | Box no. 1 |
| 100.4 | 1 pcs Duct Round | Box no. 1 |
| 100.5 | 1 pcs Duct Round | Box no. 1 |
| 100.6 | 1 pcs End cap Zip | Box no. 1 |
| 100.7 | 1 pcs Duct Round | Box no. 1 |
| 100.8 | 1 pcs Duct Round | Box no. 1 |
| 100.9 | 1 pcs End cap Zip | Box no. 1 |
| Suspensions | | |
| Suspension | 2 pcs (18) Fixing Strap, Y/Z, Ø710/27.9", 2.46 m, Black | Box no. 1 |
| Suspension | 1 pcs (06) Connector, SS Metal, H-Rail | Box no. 2 |
| Suspension | 6 pcs (08) End Lock, H-Rail SS | Box no. 2 |
| Suspension | 4 pcs (21) Rail, H, 2m | Box no. 2 |
| Suspension | 7 pcs (38) Adjustable Cable 2 meter, SS | Box no. 2 |
| Suspension | 7 pcs (36) Adjustable Cable lock, H-rail, SS | Box no. 2 |
| Total volume: 0.07 M ³ | | |
| Total Gross weight: 12 kg | | |
| Total Net weight: 9.3 kg | | |

| FabricAir | | |
|---|---|---------------|
| Packing List for order no. 1572946 | | |
| Listed by Box no. | | |
| Customer PO no.: Nate Verbal | | |
| BOX no. 1: | SIZE: 590x210x275 mm, WEIGHT: Gross 7 kg, Net 5.9 kg. | |
| INSTRUCTION BAG - Drawing included | | |
| 1 pcs | Inlet round | Tag No. 100.1 |
| 1 pcs | Inlet round | Tag No. 100.2 |
| 1 pcs | Duct Round | Tag No. 100.3 |
| 1 pcs | Duct Round | Tag No. 100.4 |
| 1 pcs | Duct Round | Tag No. 100.5 |
| 1 pcs | End cap Zip | Tag No. 100.6 |
| 1 pcs | Duct Round | Tag No. 100.7 |
| 1 pcs | Duct Round | Tag No. 100.8 |
| 1 pcs | End cap Zip | Tag No. 100.9 |
| 2 pcs | (18) Fixing Strap, Y/Z, Ø710/27.9", 2.46 m, Black | Suspension |
| BOX no. 2: | SIZE: 2070x150x100 mm, WEIGHT: Gross 5 kg, Net 3.45 kg. | |
| 4 pcs | (21) Rail, H, 2m | Suspension |
| 1 pcs | (06) Connector, SS Metal, H-Rail | Suspension |
| 6 pcs | (08) End Lock, H-Rail SS | Suspension |
| 7 pcs | (36) Adjustable Cable lock, H-rail, SS | Suspension |
| 7 pcs | (38) Adjustable Cable 2 meter, SS | Suspension |
| Total volume: 0.07 M ³ | | |
| Total Gross weight: 12 kg | | |
| Total Net weight: 9.3 kg | | |

- There are two packing lists – by box and by position. Each box may contain either suspension components or ducting. Each duct section/component has a Tag number (Tag No. XXX.X). Suspension elements have part ID numbers. Example: (21) T-Rail, 2 m. In this case, (21) is part ID.
- Tag numbers are marked in assembly sequence. Assembly of ducting should start with Tag No. XXX.1 and continue accordingly.

1.1 Understanding components table (located on system drawing)

| COMPONENTS | | | | | | | | |
|--------------|----------|------------|---|--------------------------------------|-----------|----------------|---------------|----------|
| Tag# | Fabric | Color | Flow model | | | Suspension | | |
| | | | Primary | Placement | Secondary | Type | Strap length | Material |
| 350404600025 | Combi 70 | Black 3004 | | | FabFlow | | 0 | GV |
| 100.1 | Combi 70 | Black 3004 | | | FabFlow | | 0 | GV |
| 100.2 | Combi 70 | Black 3004 | SonicFlow SonicFlow SonicFlow SonicFlow SonicFlow | 2:00 3:00 4:00 5:00 6:00 | FabFlow | Type 01 AiO | 50 mm [2"] | GV |

THE CHART SHOWN ABOVE IS AN EXAMPLE

Tag#: the unique number for that section, this is the identifying/unique number for that section.

Tag 3504..##..25: this part is the FabricAir flow straightener that helps manage turbulence and can be zipped into any joint.

Fabric: the fabric selected for this project.

Color: the color selected (standard meaning to select from the standard color chart for that fabric).

Flow model primary: primary dispersion method.

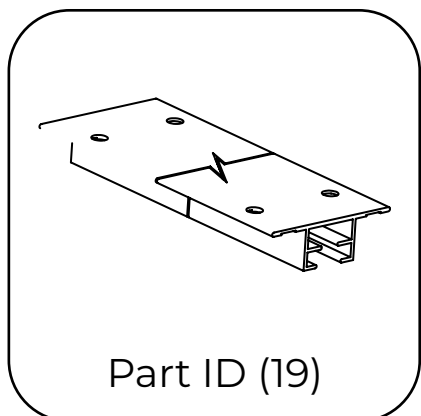
Placement: position of the holes; direction of airflow based on looking in the direction of airflow with the air hitting you from behind.

Flow model secondary: FabFlow for permeable fabrics.

Suspension type: the suspension model selected for the project.

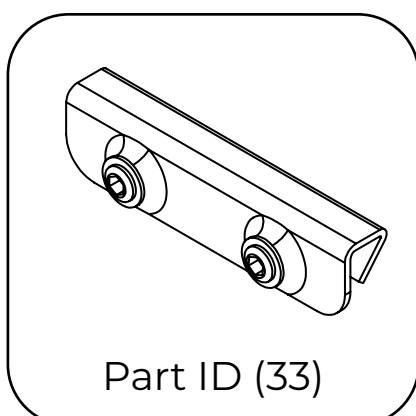
Strap length: the length of the strap from the top of the duct to the suspension.

1.2 Type 03 suspension components (located on packing lists)



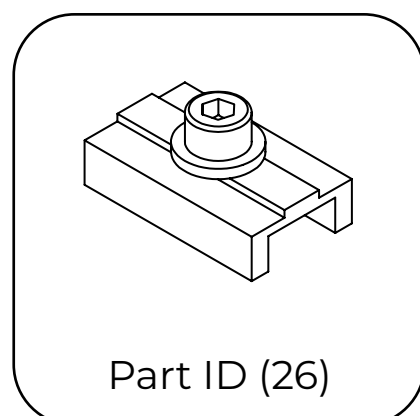
Part ID (19)

T-Rail profile



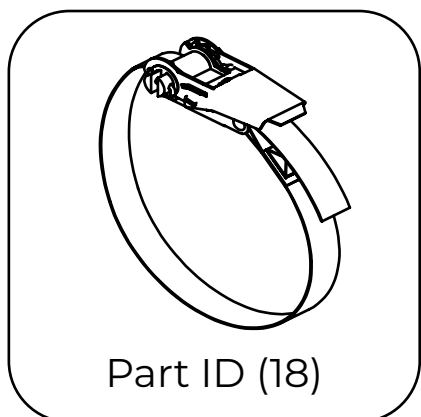
Part ID (33)

Connector for T-Rail



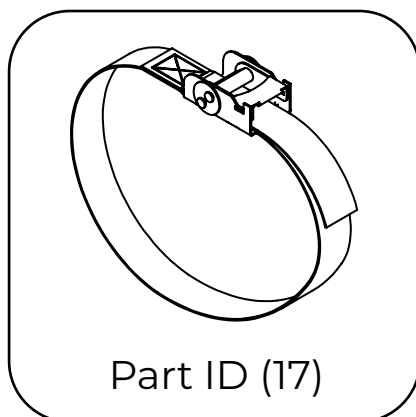
Part ID (26)

Profile lock for T-Rail



Part ID (18)

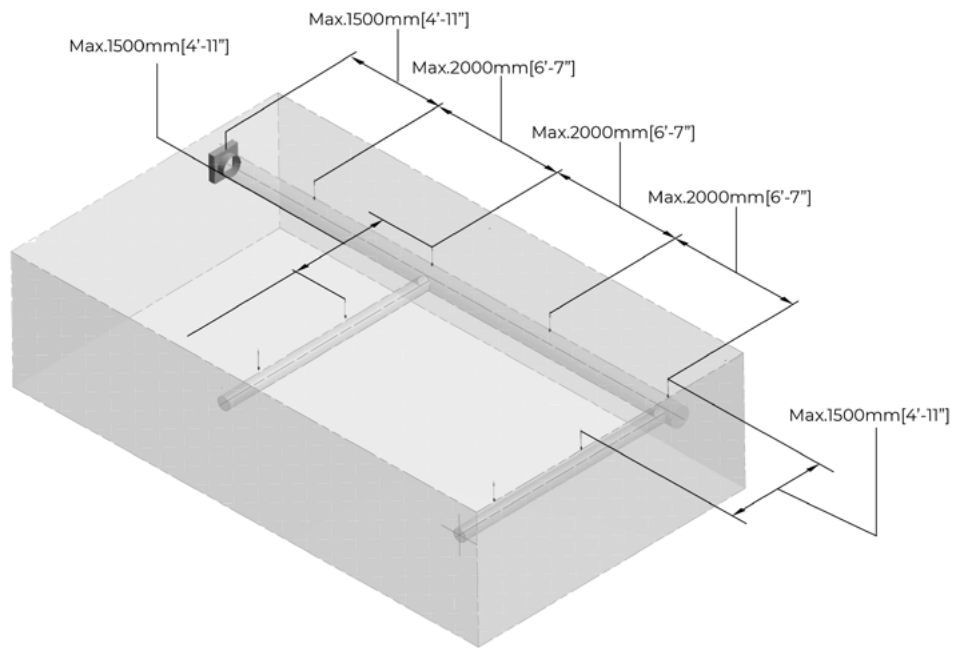
Fixing strap for duct
 $\varnothing > 508 \text{ mm [20"]}$



Part ID (17)

Fixing strap for duct
 $\varnothing < 508 \text{ mm [20"]}$

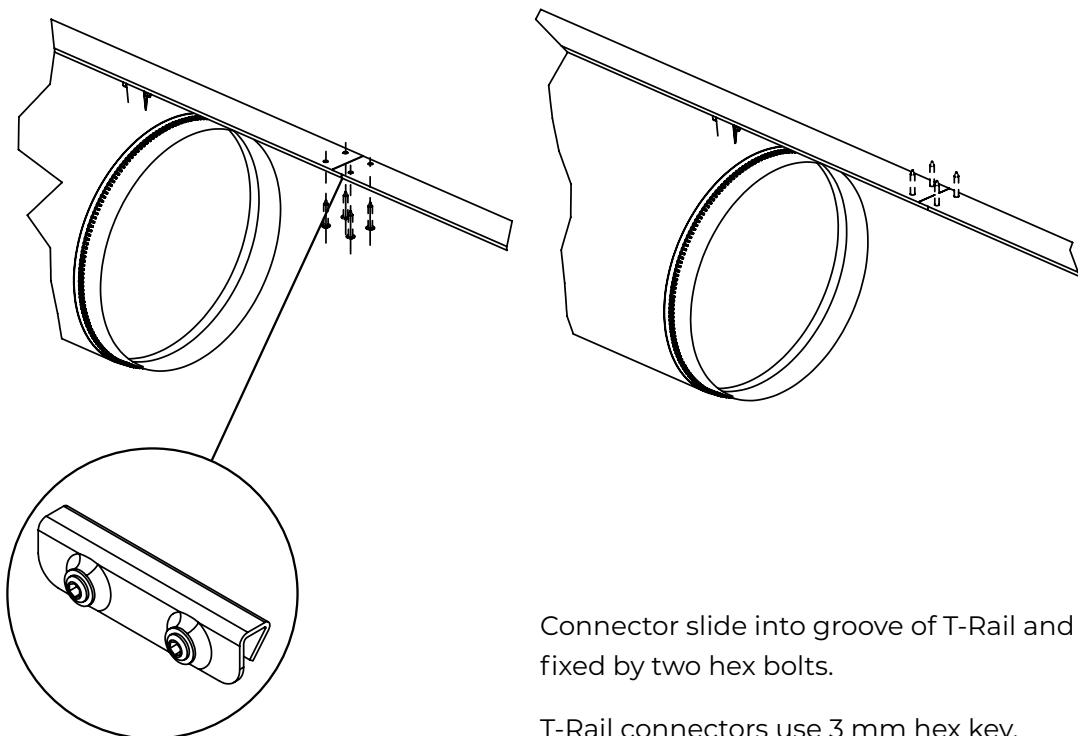
2.0 SUSPENSION INSTALLATION



2.1 Mounting T-Rail

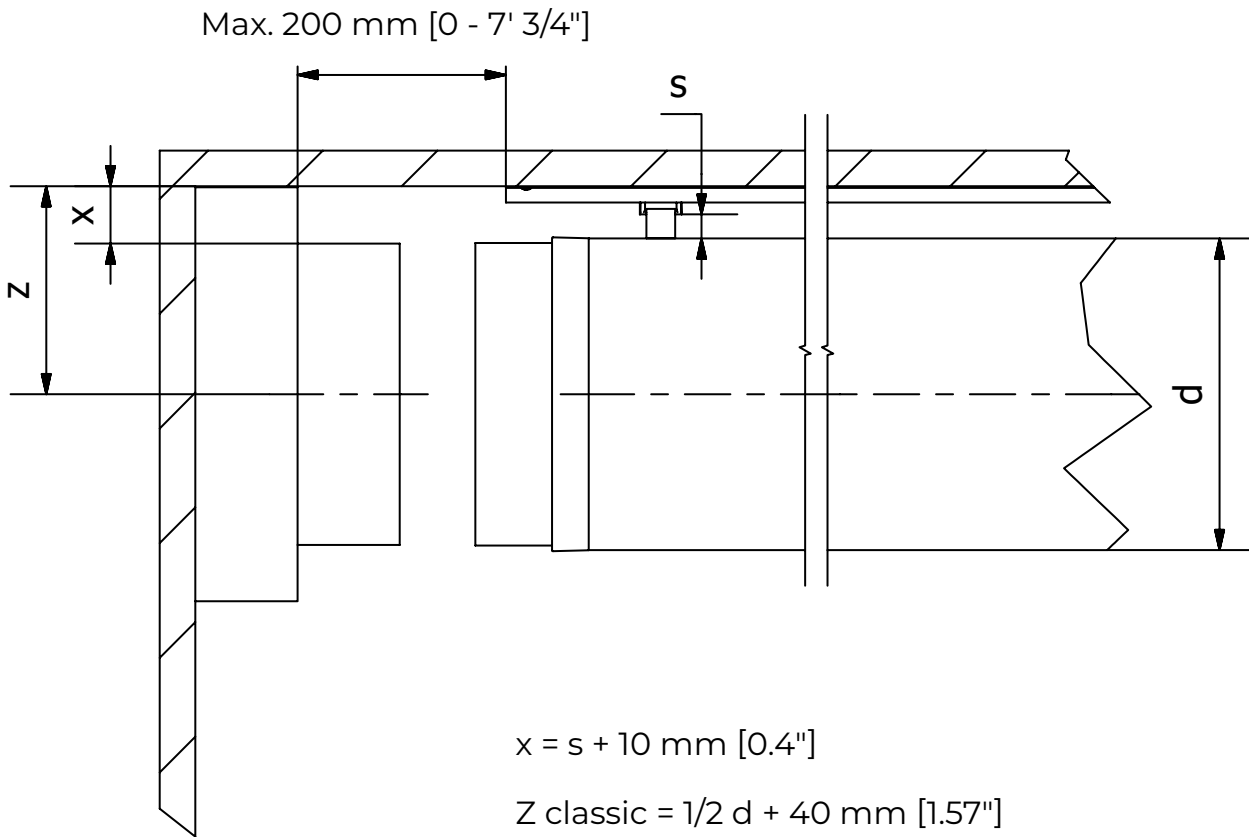
- Connector for T-Rail shall be supplied by FabricAir.
- T-Rail is produced in 2 m sections.
- These suspension systems must be mounted flush to the ceiling.
They cannot be suspended below the structure using T-Rail.

Video



Connector slide into groove of T-Rail and is fixed by two hex bolts.

T-Rail connectors use 3 mm hex key.



$$x = s + 10 \text{ mm [0.4"]}$$

$$Z \text{ classic} = 1/2 d + 40 \text{ mm [1.57"]}$$

$$Z \text{ all-in-one} = 1/2 d + 60 \text{ mm [2.36"]}$$

$$Z \text{ internal } 360^\circ = 1/2 d + 60 \text{ mm [2.36"]}$$

$$S \text{ classic min} = 30 \text{ mm [1.18"]}$$

$$S \text{ all-in-one} = 50 \text{ mm [1.96"]}$$

$$S \text{ internal } 360^\circ = 50 \text{ mm [1.96"]}$$

1. Strap lengths may be extended on Type 03 suspension, as needed to allow ducts to hang more than 50 mm [2"] below ceiling.

Standard strap length for the 3 possible options:

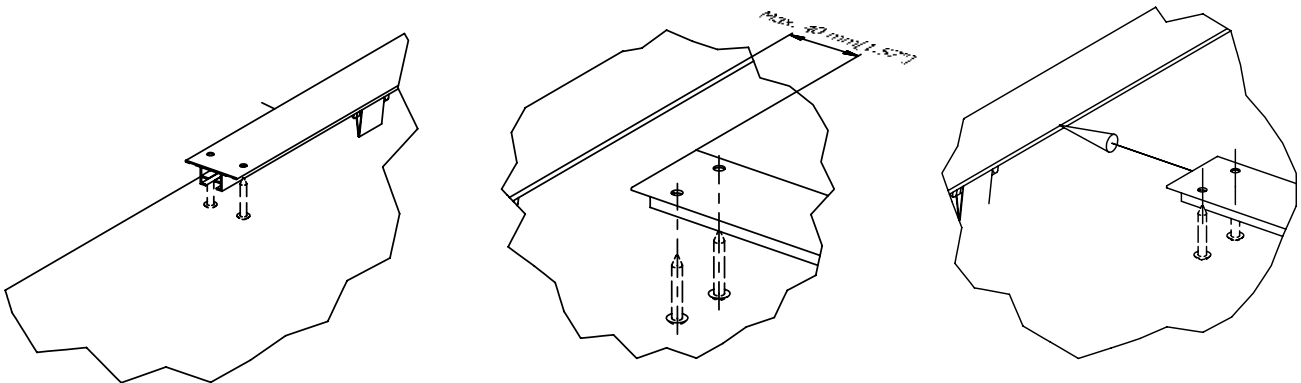
classic: S = 30 mm [1.2"] minimum length;

All-In-One / Internal 360° Hoops: S = 50 mm [2"] minimum length.

- The T-Rail must be mounted along the centerline of the FabricAir system.
- Utilize chalk lines and/or lasers to ensure straight installation.
- T-Rails must be anchored to the structure using fasteners supplied by others.
- T-Rails are not pre-drilled, allowing for contractor flexibility in determining the best location for fastening to the structure.
- For maximum stability, T-Rails must be secured to the structure on both sides of each end, with a minimum of four fasteners per rail.
- T-rails can be cut to the desired length as necessary. However, as a best practice, ensure an additional length of 300 mm [12"] at the end of the run to accommodate for fabric expansion under pressure.
- These suspension systems must be mounted flush to the ceiling. They cannot be suspended below the structure using T-Rail.

2.2 Mounting T-Rail for branches

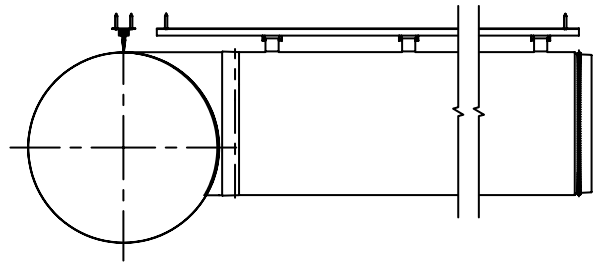
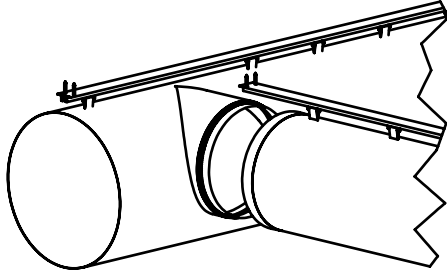
Video



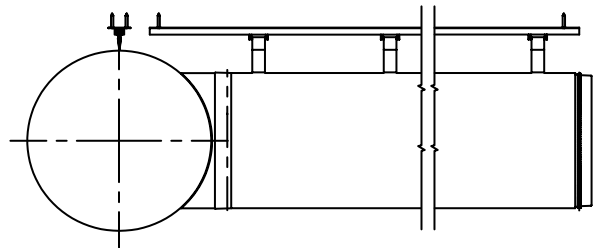
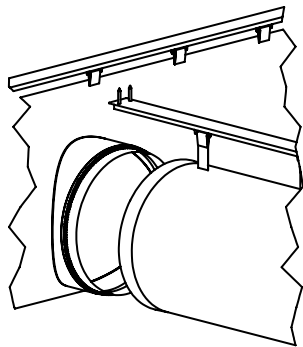
- Provision must be made to allow for the insertion of branch clips into the rail by incorporating an appropriate gap between the rails during installation. This will enable the seamless integration of the branch clips into the overall system, ensuring optimal performance.
- The system can be implemented within the T-Bar framework of suspended ceiling for types 03 and 04. The T-Rails should be securely affixed to the T-Bars at intervals of 600 mm [2'] or 1200 mm [4'] for optimal suspension.
- It is of paramount importance to ensure compliance with the weight load specifications of the suspended ceiling system prior to installation, as failure to adhere to these guidelines can result in structural integrity issues. Thus, it is essential to thoroughly review and verify the weight load capacity of the system to ensure safe and secure implementation.

2.3 Branches

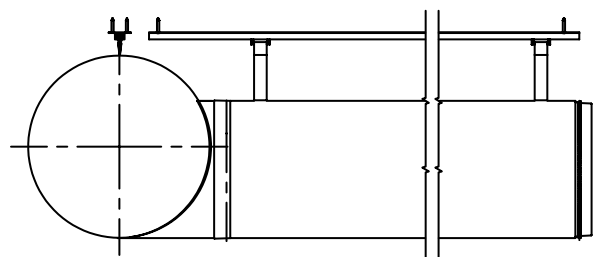
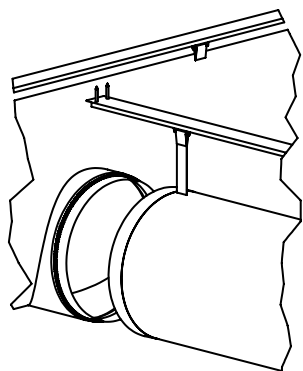
Top aligned branch



Middle aligned branch
with extended strap length

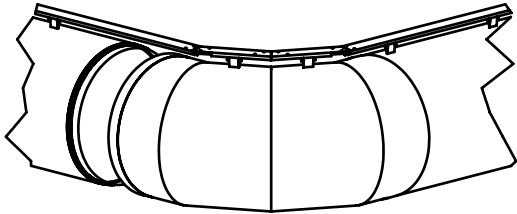


Bottom aligned branch
with extended strap length

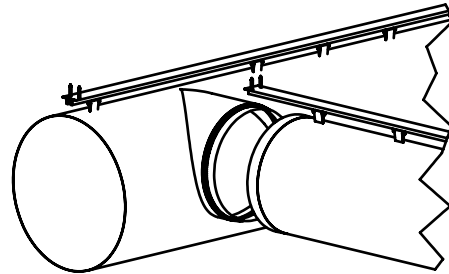


2.4 Detailed suspension installation details

Use QR code for more detailed information for each type.



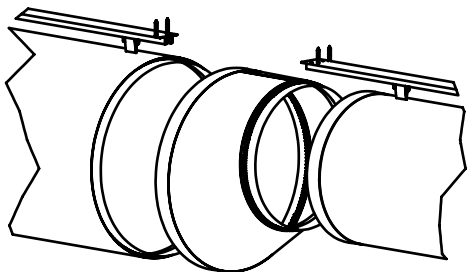
Bendings and elbows
All degrees and sizes



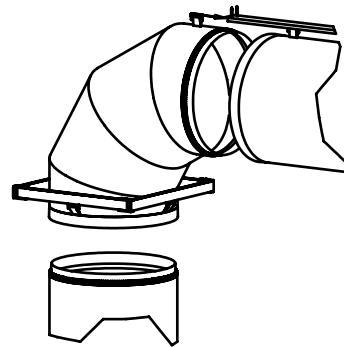
Branches
Top/center/bottom aligned

Drawings

Drawings



Reductions
Top/center/bottom aligned



**Vertical duct
suspension methods**

Drawings

Drawings

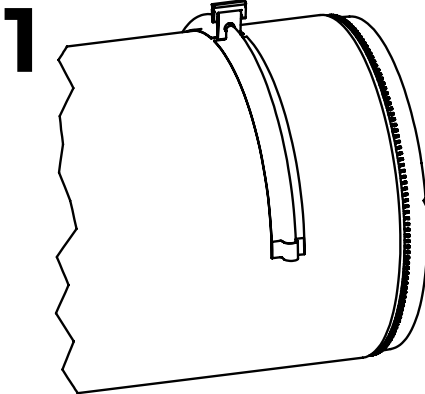
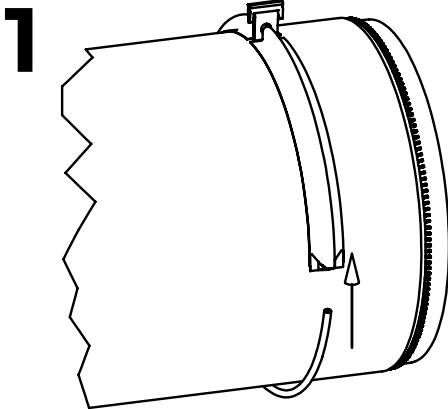
3.0 SHAPE RETAINING HARDWARE

Shape retention solution for Type 03 suspension.
Standard All-in-One strap length = 50 mm [2"].
Comes pre-installed from the factory.

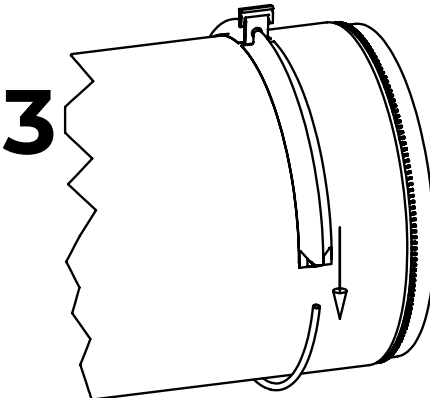
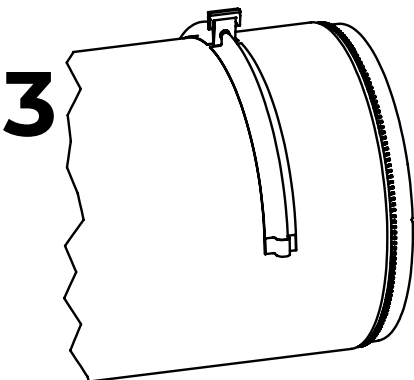
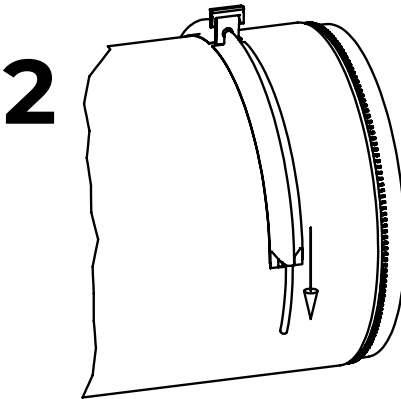
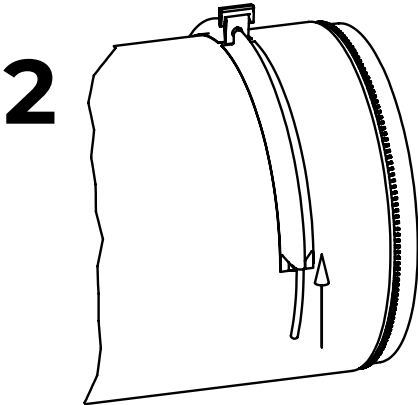
3.1 All-in-One

Assembly

Disassembly



Video

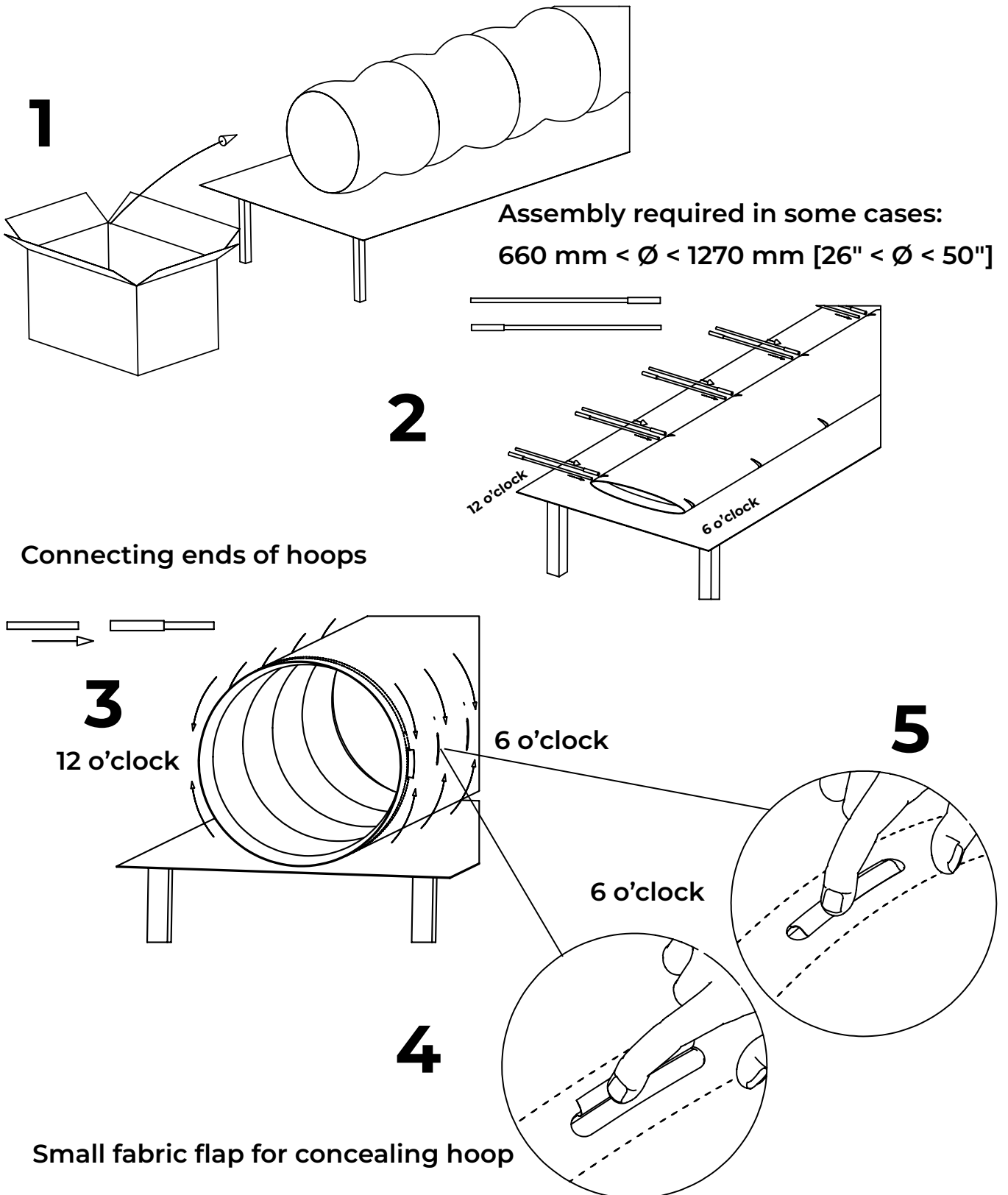


3.2 Internal 360° hoops assembly

Optional shape retention solution for Type 03 suspension.

Standard Internal 360° Hoops strap length = 50 mm [2"].

Arrives from the factory: $\varnothing \leq 660$ mm [26"]



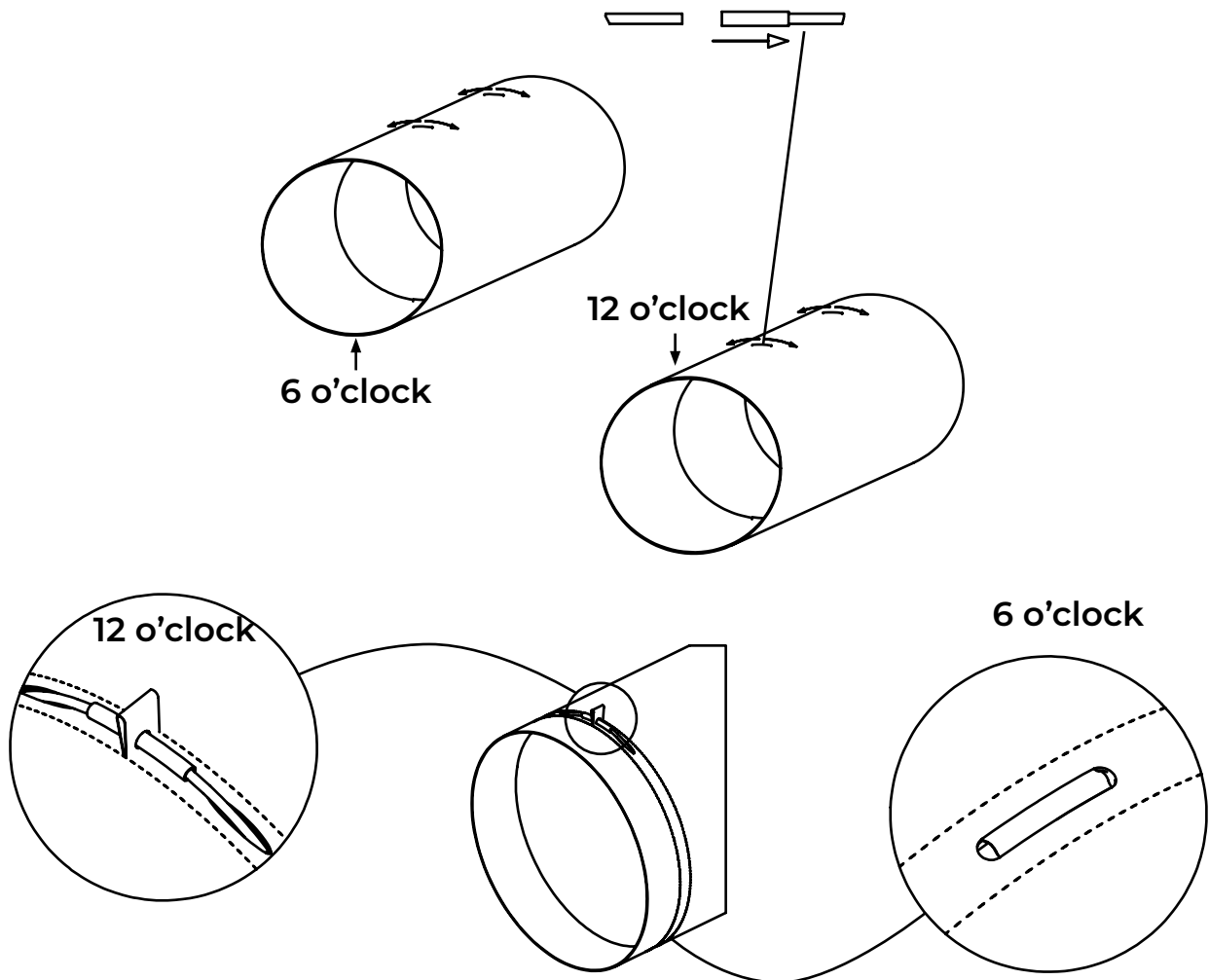
3.3 Internal 360° hoops disassembly

To remove the internal hoops, ensure that the connectors are arranged at 6 and 12 o'clock.

Rotate the duct to access the hoop through the slotted access hole at 6 o'clock.

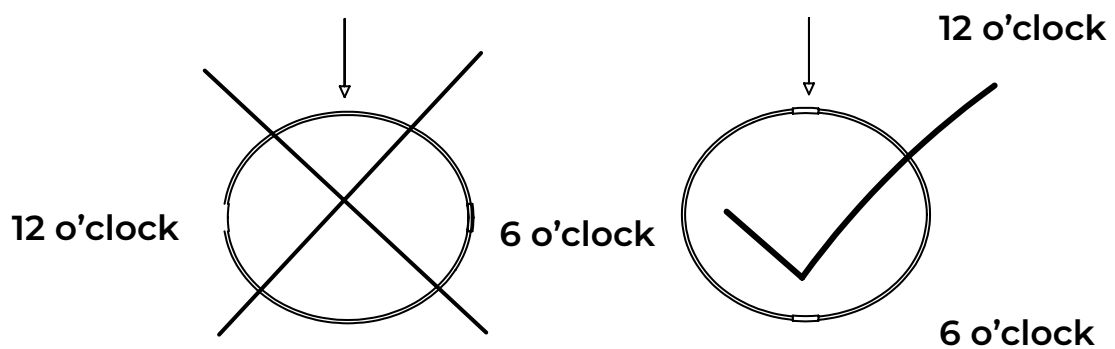
Press down to flatten the connection point and slide rod out of metal sleeve.

Rotate duct to access 12 o'clock access slot and repeat to remove.



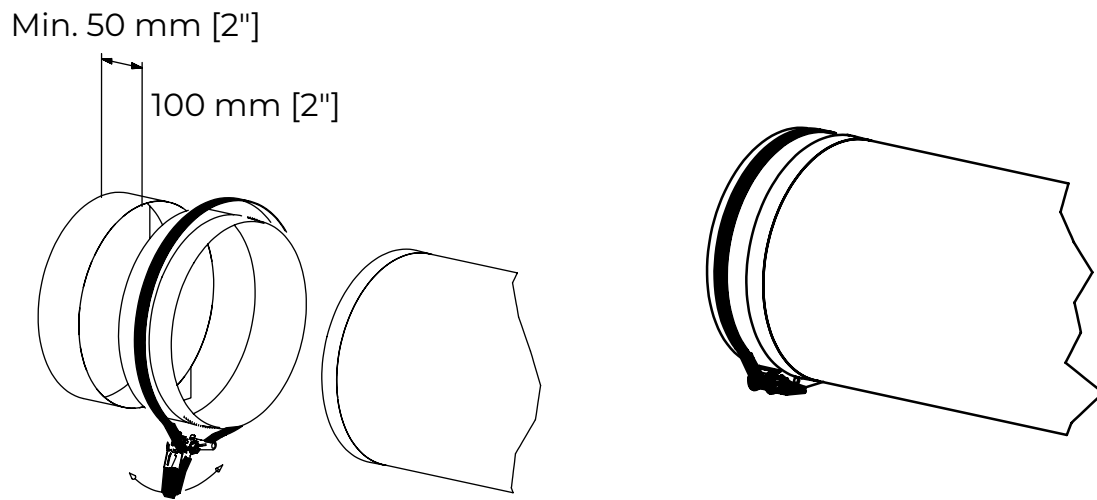
Deform circle to remove hoop.

While dismantling hoops, keep hoop connector at the 12 o'clock.



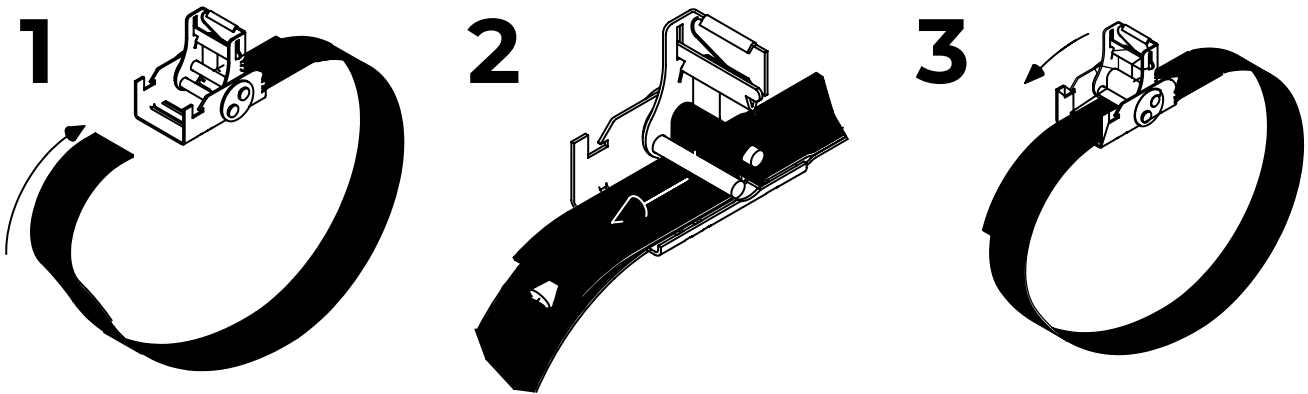
4.0 INSTALLING THE FABRIC

4.1 Connection to sheet metal part with fixing strap

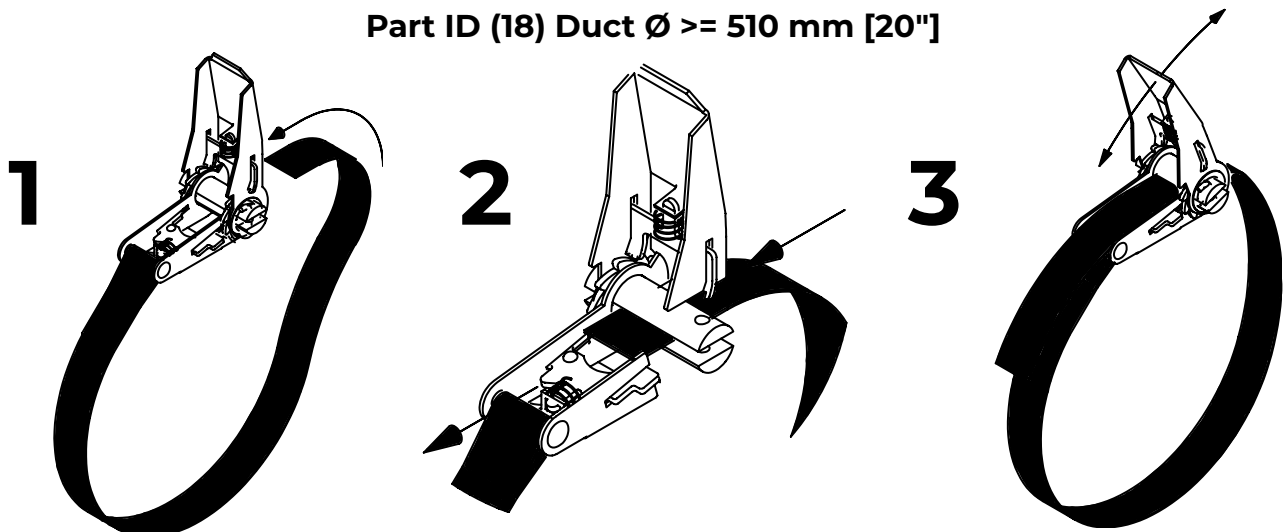


4.2 Fixing straps

Part ID (17) Duct $\varnothing < 510$ mm [20"]

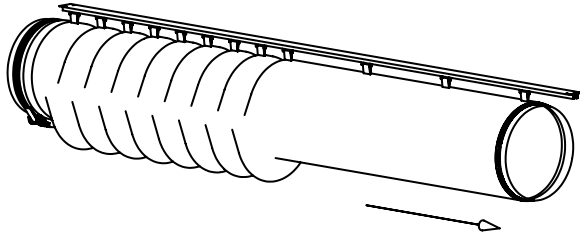


Part ID (18) Duct $\varnothing \geq 510$ mm [20"]



4.3 Installation of duct on T-Rail

Video

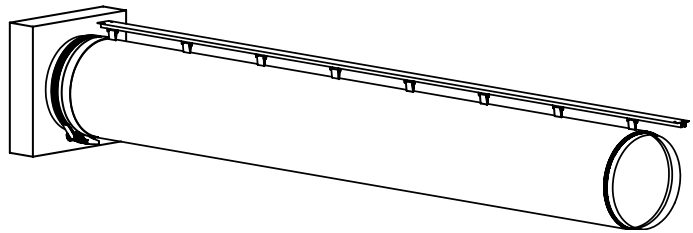


1

Hang ducting first

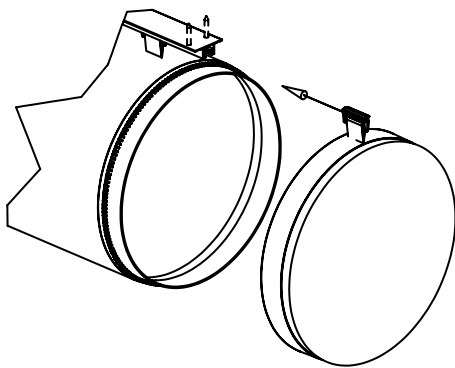
2

Stretch the duct



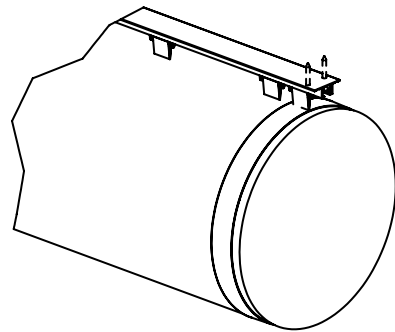
3

Hang endcap on the cable



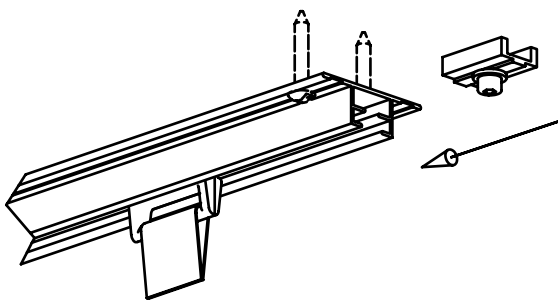
4

Slide endcap to the end of the duct. Zip it



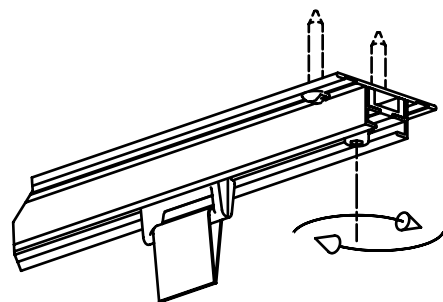
5

Secure duct by inserting profile lock

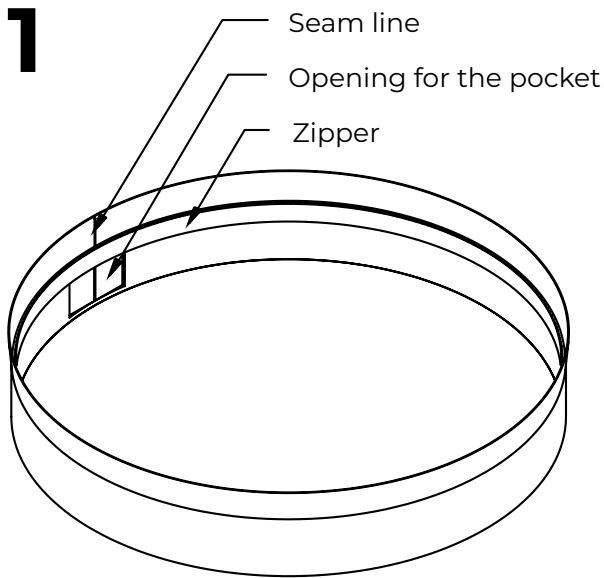


6

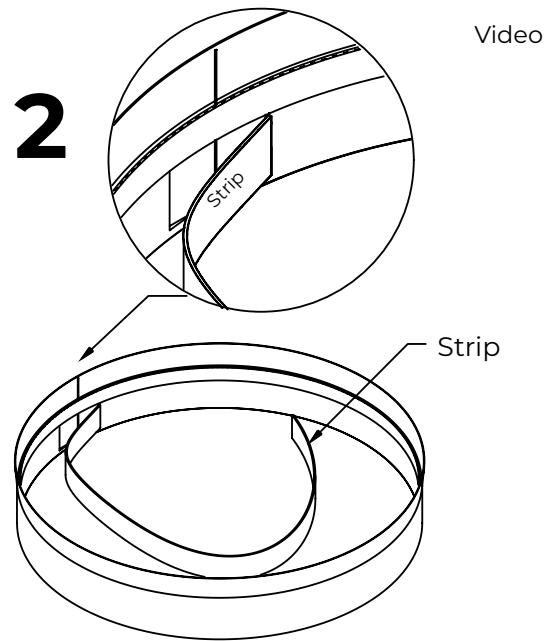
Fix profile lock by turning bolt clockwise



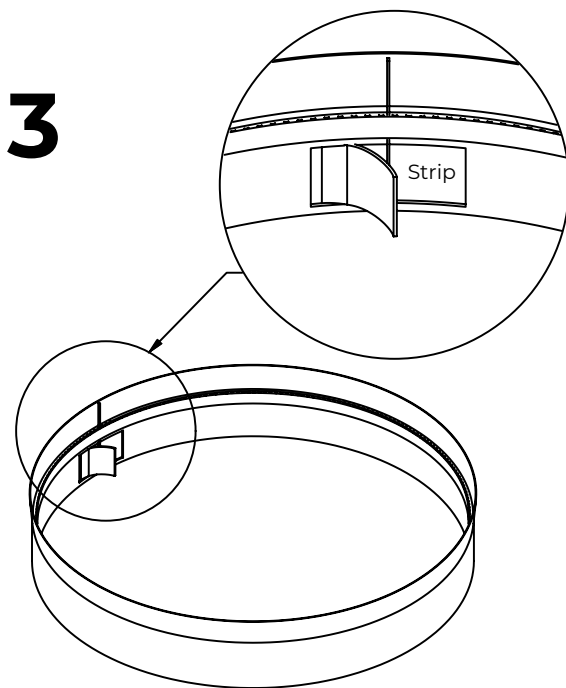
4.4 Taut Endcap installation



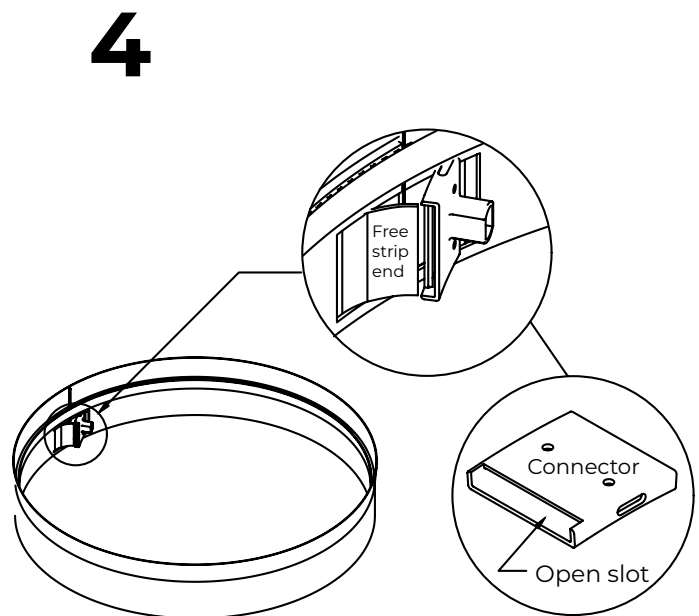
Lay the end cap flat on a clean surface



Insert the strip in the pocket all around the endcap

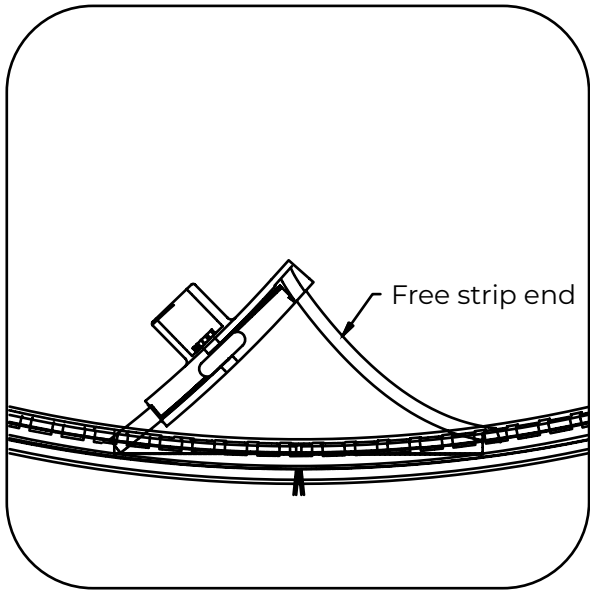


Align one end of the strip with the seam line

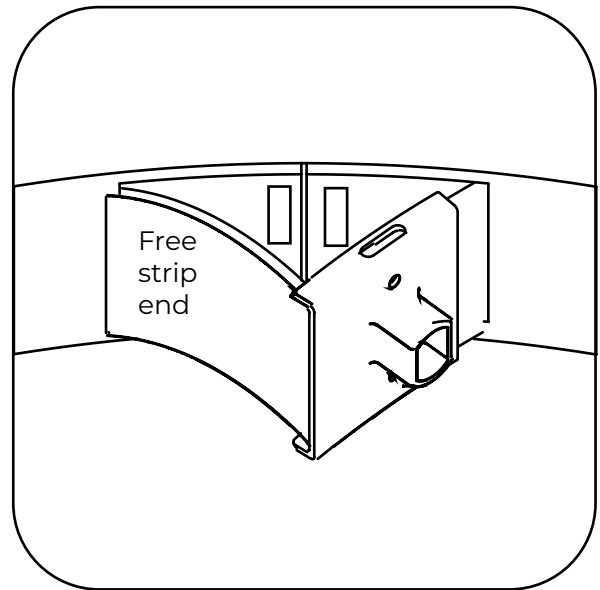


Put connector on the aligned strip end with the open slot towards the free strip end

5

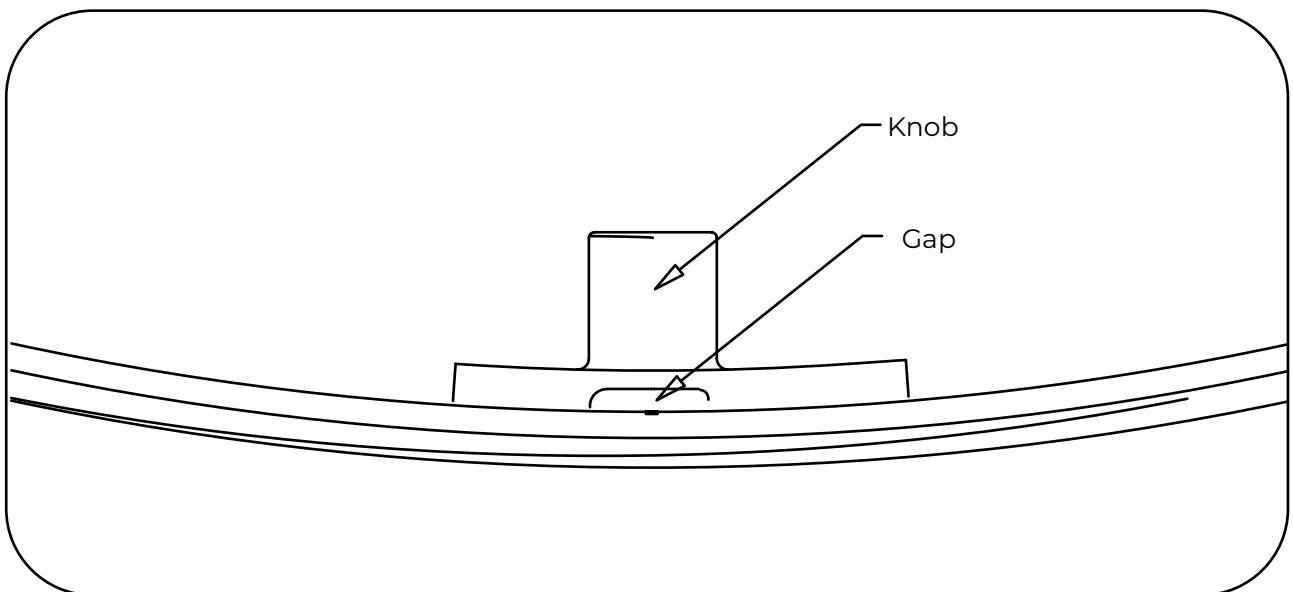


Place the free strip end in the open slot



Hold the connector and the free strip end together and push until both strip ends are aligned

6



Using the knob, slide the connector and make sure the gap between both strip ends is in the center of the connector



fabricair.com/contacts/

All rights reserved to FabricAir®, 2023.
The latest version can be downloaded from fabricair.com
Version: 230809