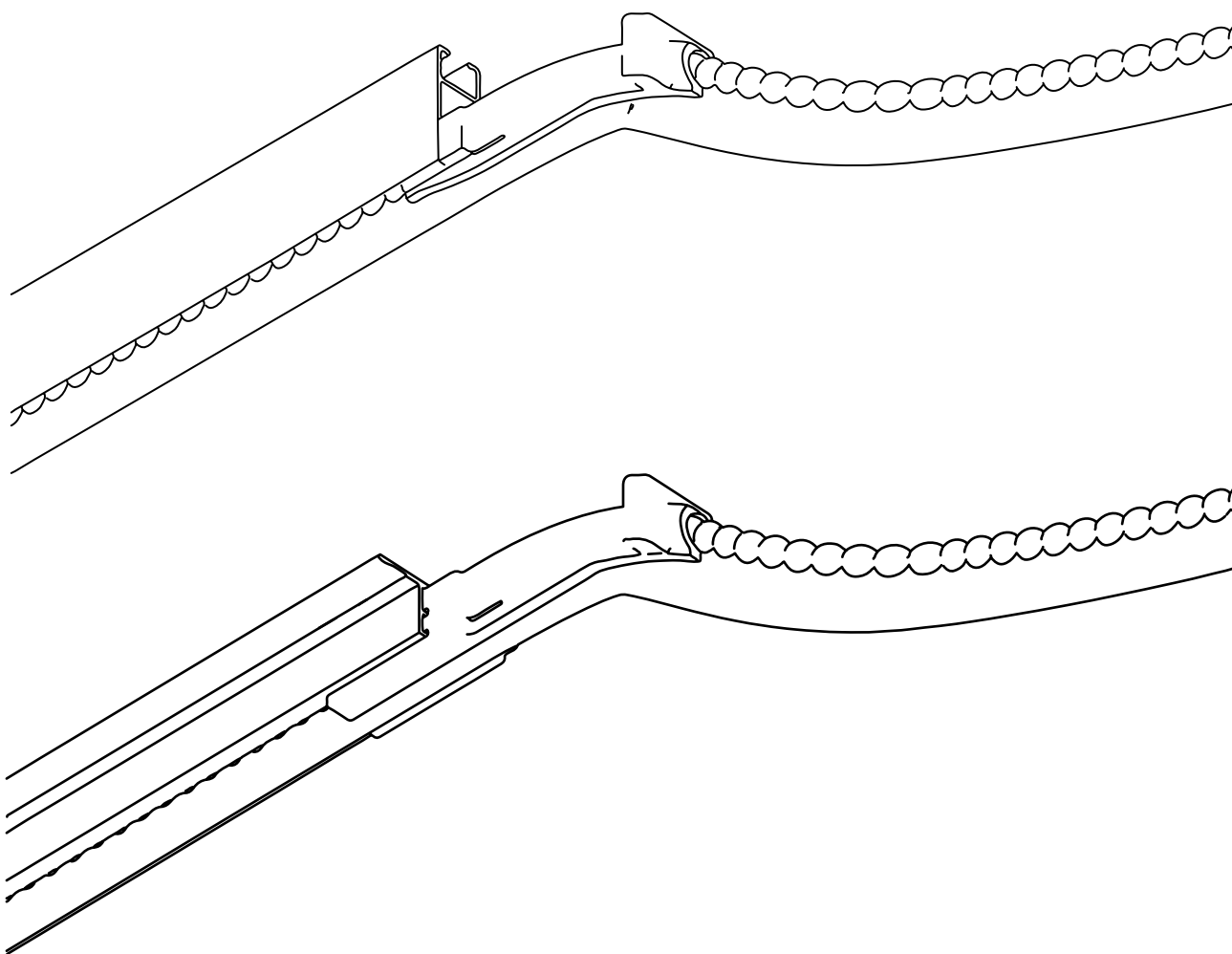


# RapidSlider

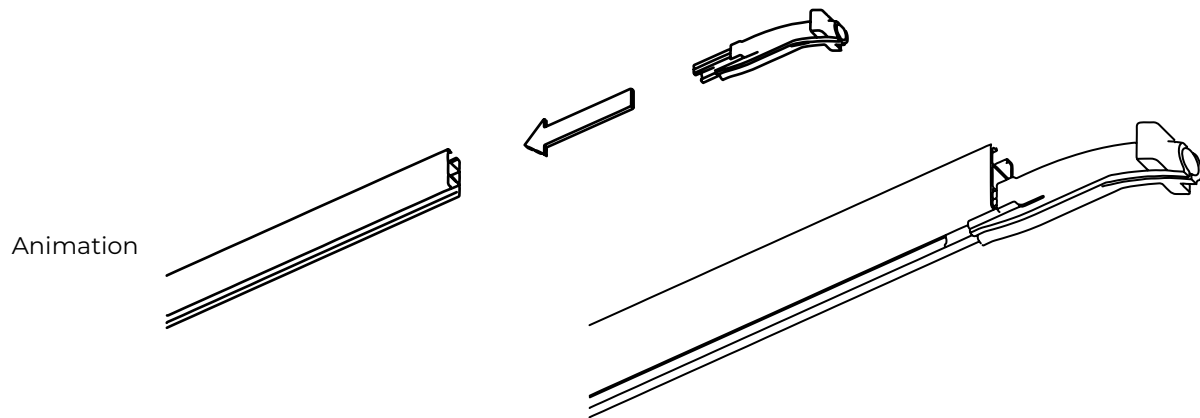
## Installation Manual



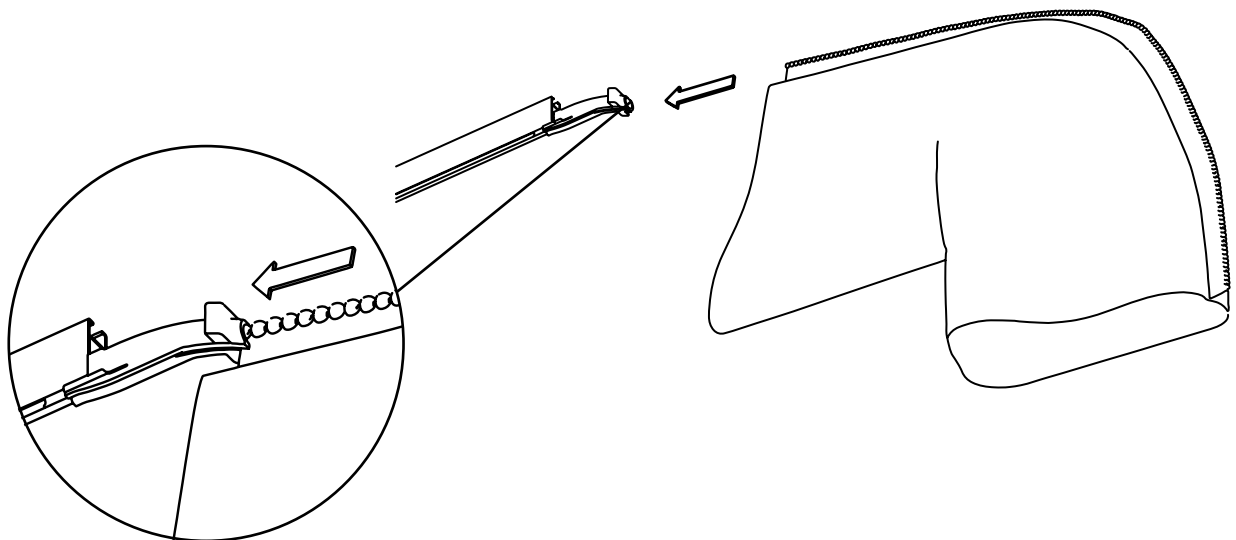
The RapidSlider allows you to install fabric duct with a T-Rail or H-Rail suspension system even faster. The specially designed feeder makes it easy to slide any length of duct continuously through the suspension rail with little or no additional labor or equipment.

# H-Rail installation

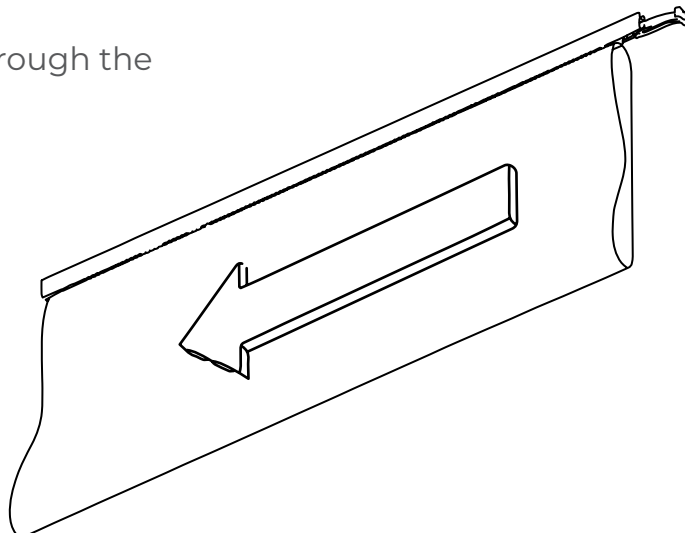
- 1** Place the feeder in the lower slot of the H-Rail



- 2** Insert the RapidSlider into the feeder

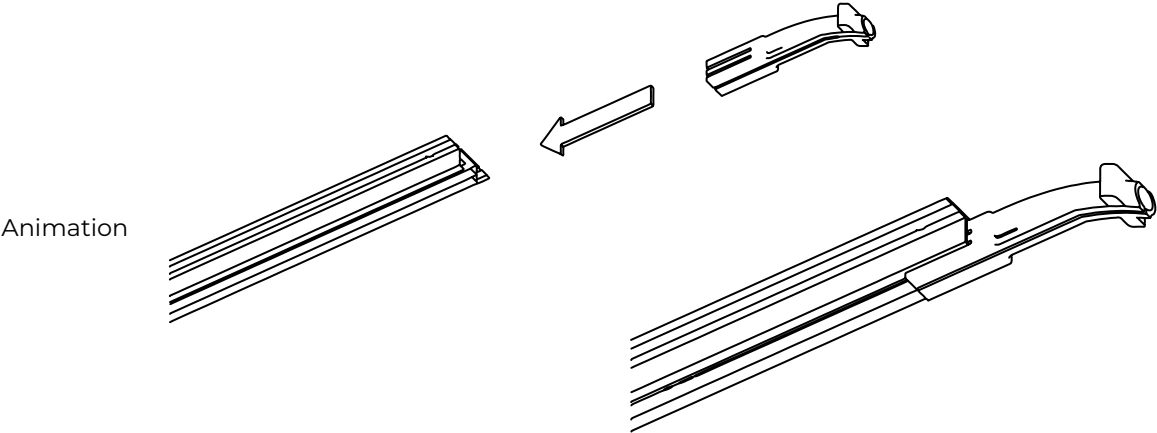


- 3** Slide all the way through the feeder to install

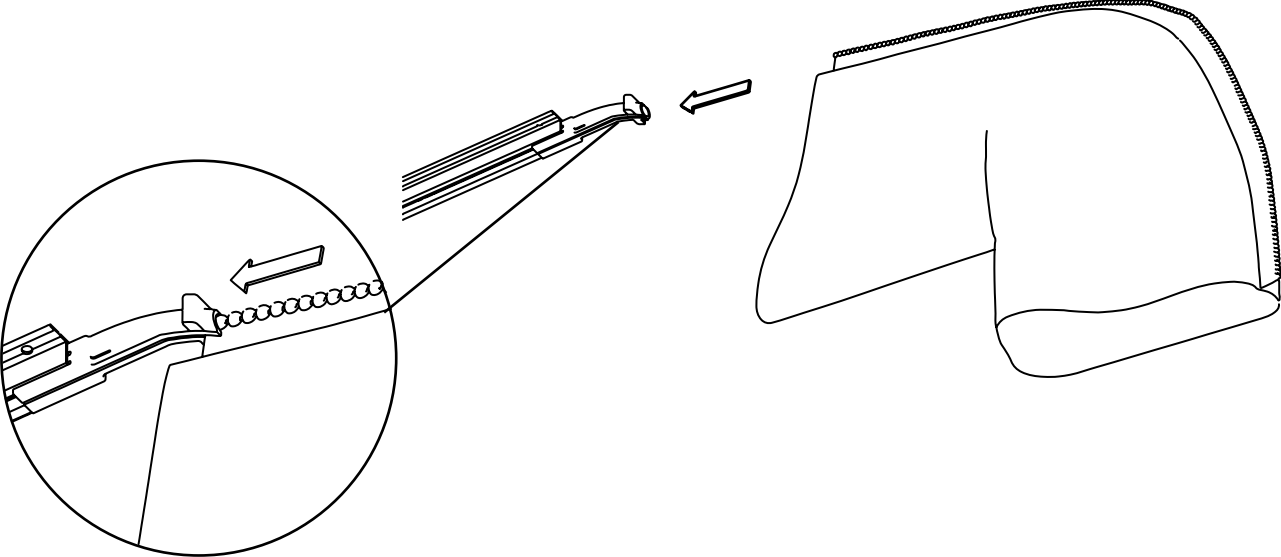


# T-Rail installation

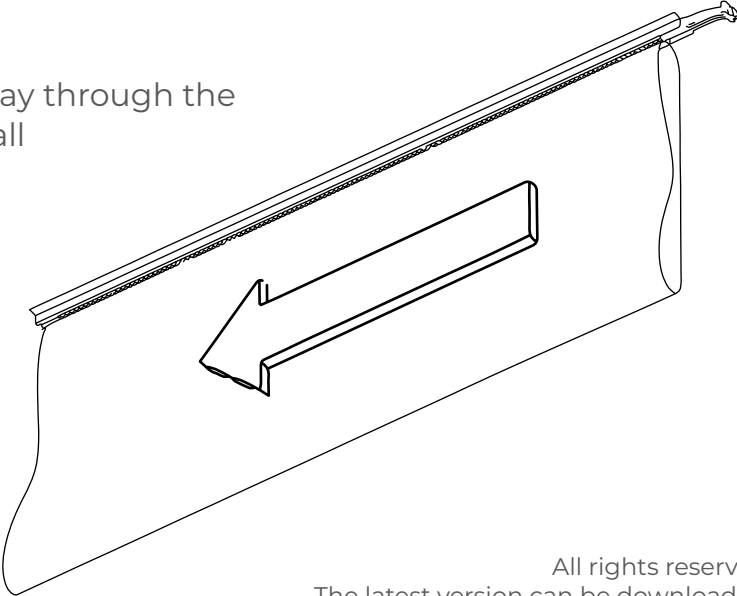
**1** Place the feeder into the T-Rail



**2** Insert the RapidSlider into the feeder



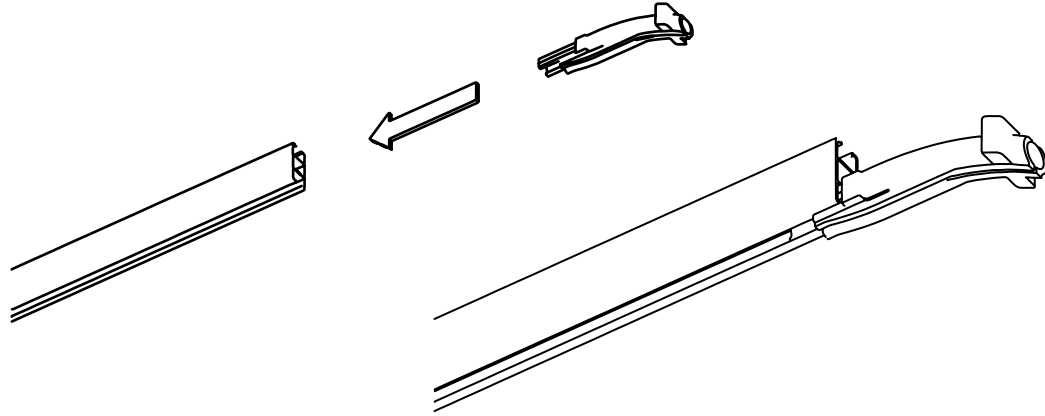
**3** Slide all the way through the feeder to install



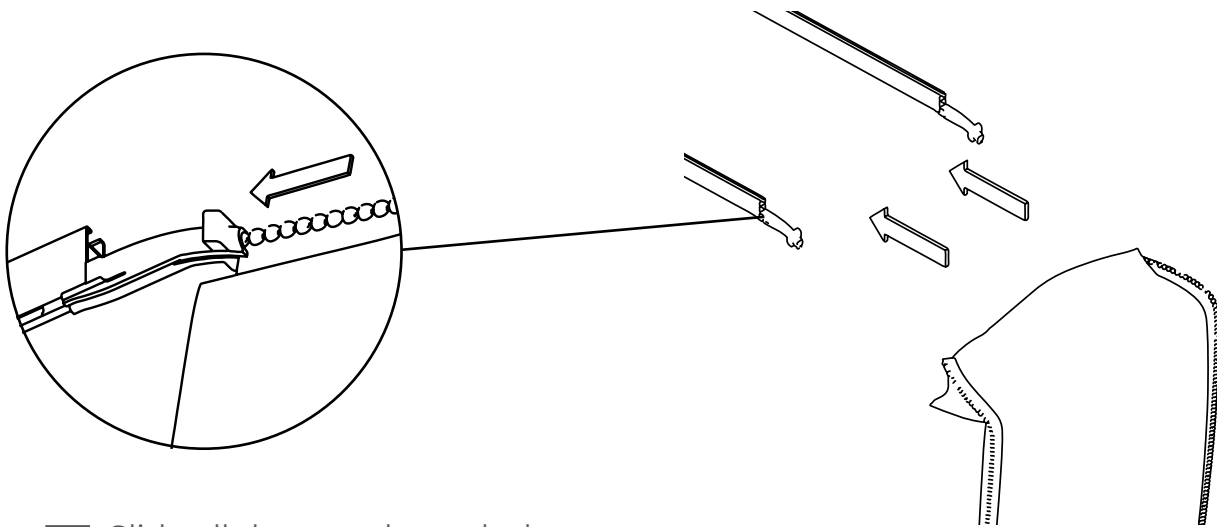
# H-Rail installation for double rail suspensions

## H-Rail installation

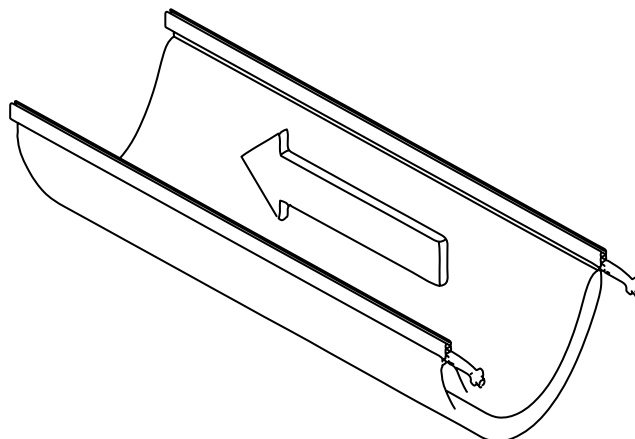
- 1** Place the feeder in the lower slot of the H-Rail



- 2** Insert the RapidSlider into the feeder



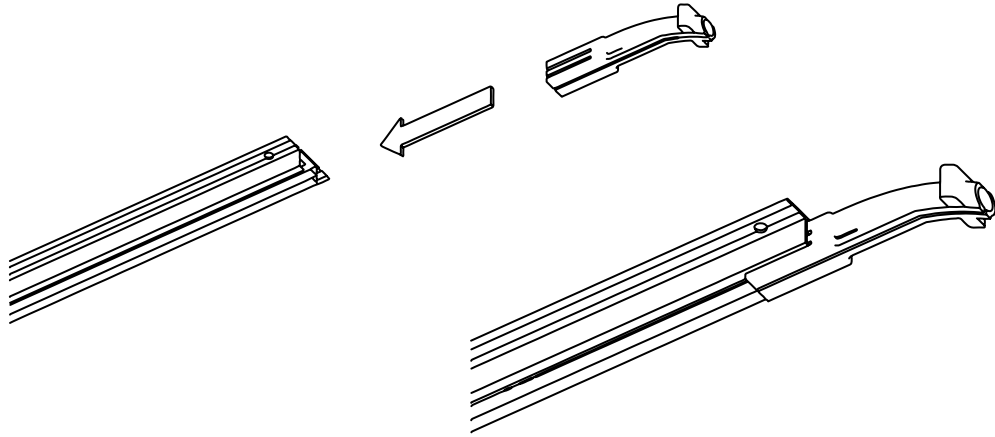
- 3** Slide all the way through the feeder to install



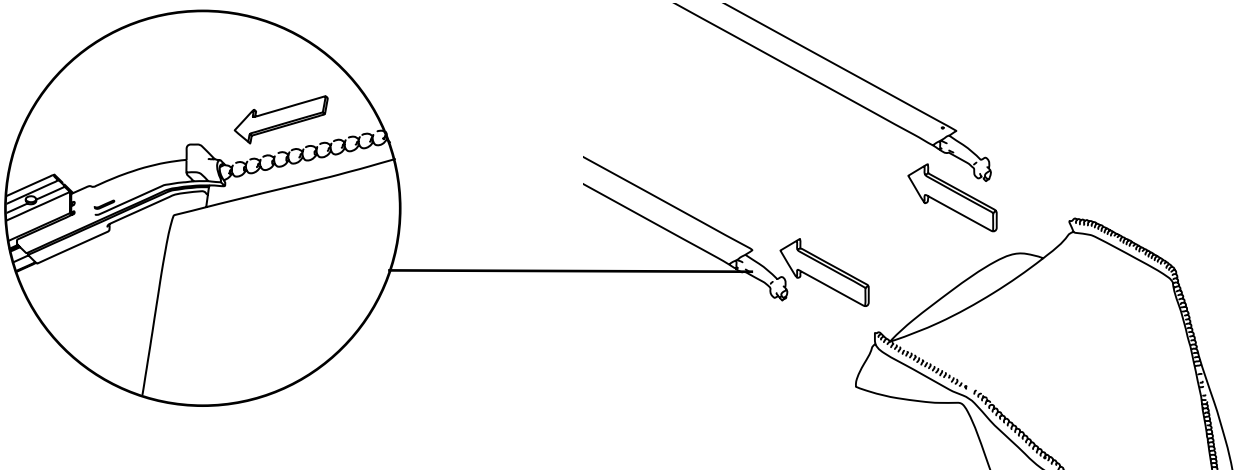
# T-Rail installation for double rail suspensions

## T-Rail installation

**1** Place the feeder into the T-Rail



**2** Insert the RapidSlider into the feeder



**3** Slide all the way through the feeder to install

