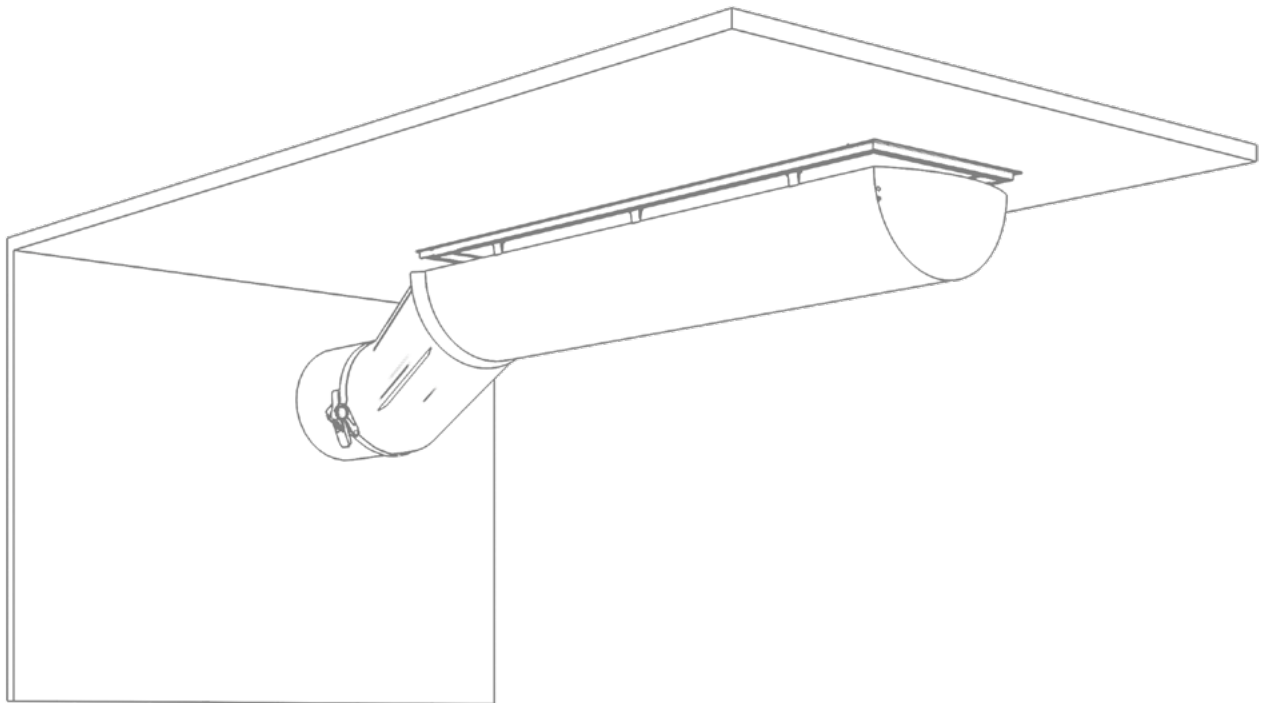


Type 12

Installation Manual

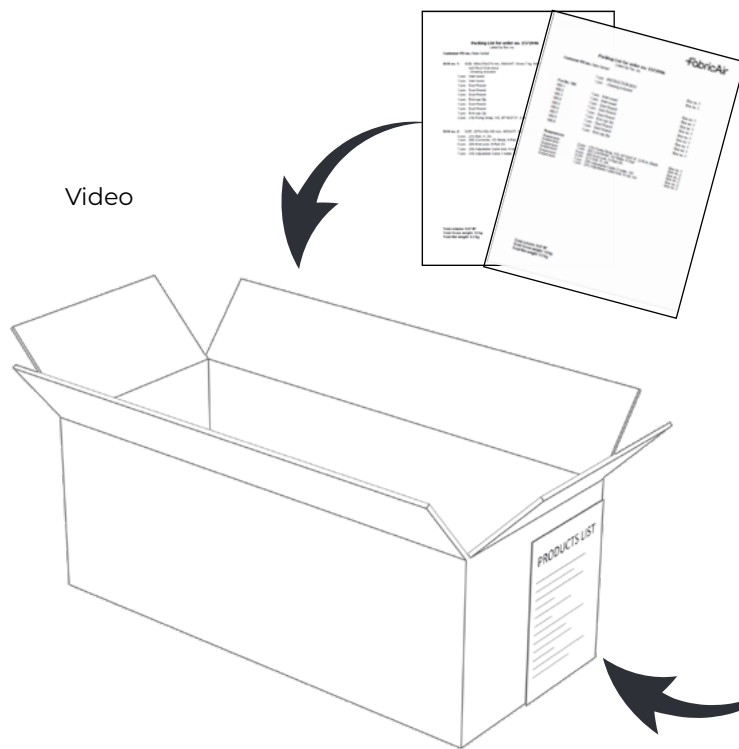


Type 12 is a suspension method for half-round and semi-oval fabric ducts using flush-mounted T-Rail. Air may be supplied from the end or from the top. T-Rail may be attached to any type of flat ceiling. Fabric System attaches to the T-Rail by way of sewn in plastic sliders which fit into the T-Rail.

Content

1.0 OPENING PACKAGE	3
1.1 Understanding components table.....	4
1.2 Type 12 suspension components.....	5
2.0 SUSPENSION INSTALLATION	6
2.0 Suspension installation.....	6
2.1 Mounting T-Rail	6
2.2 Mounting T-Rail for branches.....	7
2.3 Bendings and elbows.....	8
2.4 Detailed suspension installation	9
3.0 INSTALLING THE FABRIC.....	10
3.1 Connection to sheet metal part with fixing strap.....	10
3.2 Fixing straps	10
3.3 Installation of duct on T-Rail	11

1.0 OPENING PACKAGE



Box 1 includes all project documentation:

- System Drawing(s)
- Installation Guide
- Packing List (by box)
- Packing List (by positions)

Box number and contents list visible on external box label.



FabricAir		
Packing List for order no. 1572946 Listed by Pos. no.		
Customer PO no.: Nate Verbal		
	1 pcs INSTRUCTION BAG	Box no. 1
	1 pcs - Drawing included	Box no. 1
Pos No. 100		
100.1	1 pcs Inlet round	Box no. 1
100.2	1 pcs Inlet round	Box no. 1
100.3	1 pcs Duct Round	Box no. 1
100.4	1 pcs Duct Round	Box no. 1
100.5	1 pcs Duct Round	Box no. 1
100.6	1 pcs End cap Zip	Box no. 1
100.7	1 pcs Duct Round	Box no. 1
100.8	1 pcs Duct Round	Box no. 1
100.9	1 pcs End cap Zip	Box no. 1
Suspensions		
Suspension	2 pcs (18) Fixing Strap, Y/Z, Ø710/27.9", 2,46 m, Black	Box no. 1
Suspension	1 pcs (06) Connector, SS Metal, H-Rail	Box no. 2
Suspension	6 pcs (08) End Lock, H-Rail SS	Box no. 2
Suspension	4 pcs (21) Rail, H, 2m	Box no. 2
Suspension	7 pcs (38) Adjustable Cable 2 meter, SS	Box no. 2
Suspension	7 pcs (36) Adjustable Cable lock, H-rail, SS	Box no. 2
Total volume: 0.07 M ³ Total Gross weight: 12 kg Total Net weight: 9.3 kg		

FabricAir		
Packing List for order no. 1572946 Listed by Box no.		
Customer PO no.: Nate Verbal		
BOX no. 1:	SIZE: 590x210x275 mm, WEIGHT: Gross 7 kg, Net 5.9 kg.	
	INSTRUCTION BAG - Drawing included	
	1 pcs Inlet round	Tag No. 100.1
	1 pcs Inlet round	Tag No. 100.2
	1 pcs Duct Round	Tag No. 100.3
	1 pcs Duct Round	Tag No. 100.4
	1 pcs Duct Round	Tag No. 100.5
	1 pcs End cap Zip	Tag No. 100.6
	1 pcs Duct Round	Tag No. 100.7
	1 pcs Duct Round	Tag No. 100.8
	1 pcs End cap Zip	Tag No. 100.9
	2 pcs (18) Fixing Strap, Y/Z, Ø710/27.9", 2,46 m, Black	Suspension
BOX no. 2:	SIZE: 2070x150x100 mm, WEIGHT: Gross 5 kg, Net 3.45 kg.	
	4 pcs (21) Rail, H, 2m	Suspension
	1 pcs (06) Connector, SS Metal, H-Rail	Suspension
	6 pcs (08) End Lock, H-Rail SS	Suspension
	7 pcs (36) Adjustable Cable lock, H-rail, SS	Suspension
	7 pcs (38) Adjustable Cable 2 meter, SS	Suspension
Total volume: 0.07 M ³ Total Gross weight: 12 kg Total Net weight: 9.3 kg		

- There are two packing lists – by box and by position. Each box may contain either suspension components or ducting. Each duct section/component has a Tag number (Tag No. XXX.X). Suspension elements have part ID numbers. Example: (21) T-Rail, 2 m. In this case, (21) is part ID.
- Tag numbers are marked in assembly sequence. Assembly of ducting should start with Tag No. XXX.1 and continue accordingly.

1.1 Understanding components table (located on system drawing)

COMPONENTS								
Tag#	Fabric	Color	Flow model			Suspension		
			Primary	Placement	Secondary	Type	Strap length	Material
350404600025	Combi 70	Black 3004			FabFlow		0	GV
100.1	Combi 70	Black 3004			FabFlow		0	GV
100.2	Combi 70	Black 3004	SonicFlow SonicFlow SonicFlow SonicFlow SonicFlow	2:00 3:00 4:00 5:00 6:00	FabFlow	Type 01 AiO	50 mm [2"]	GV

THE CHART SHOWN ABOVE IS AN EXAMPLE

Tag#: the unique number for that section, this is the identifying/unique number for that section.

Tag 3504..##..25: this part is the FabricAir flow straightener that helps manage turbulence and can be zipped into any joint.

Fabric: the fabric selected for this project.

Color: the color selected (standard meaning to select from the standard color chart for that fabric).

Flow model primary: primary dispersion method.

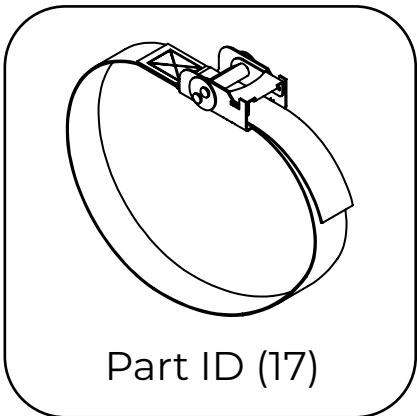
Placement: position of the holes; direction of airflow based on looking in the direction of airflow with the air hitting you from behind.

Flow model secondary: FabFlow for permeable fabrics.

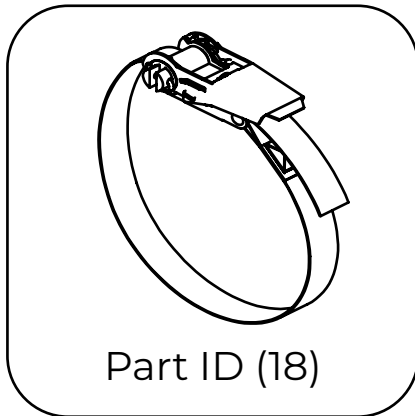
Suspension type: the suspension model selected for the project.

Strap length: the length of the strap from the top of the duct to the suspension.

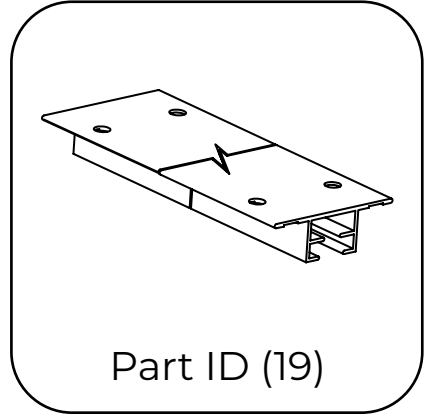
1.2 Type 12 suspension components (located on packing lists)



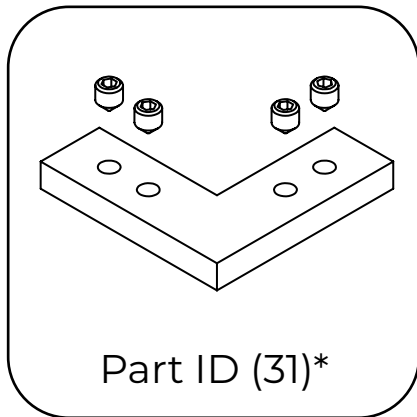
Fixing strap for duct
 $\varnothing < 508 \text{ mm [20"]}$



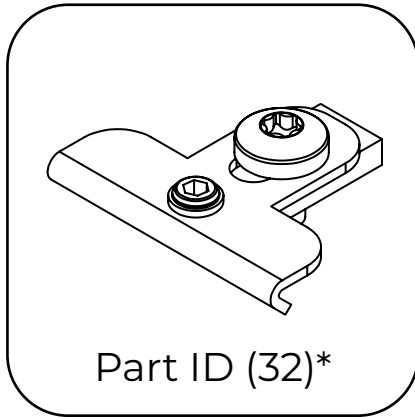
Fixing strap for duct
 $\varnothing > 508 \text{ mm [20"]}$



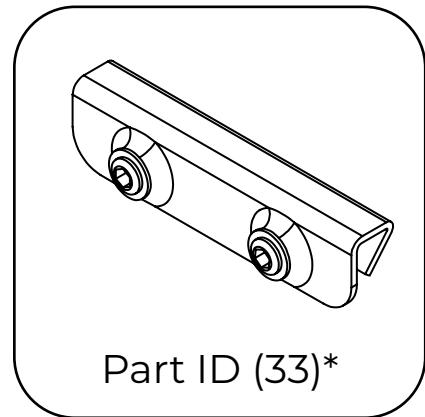
T-Rail profile



Angle plate



Support connector



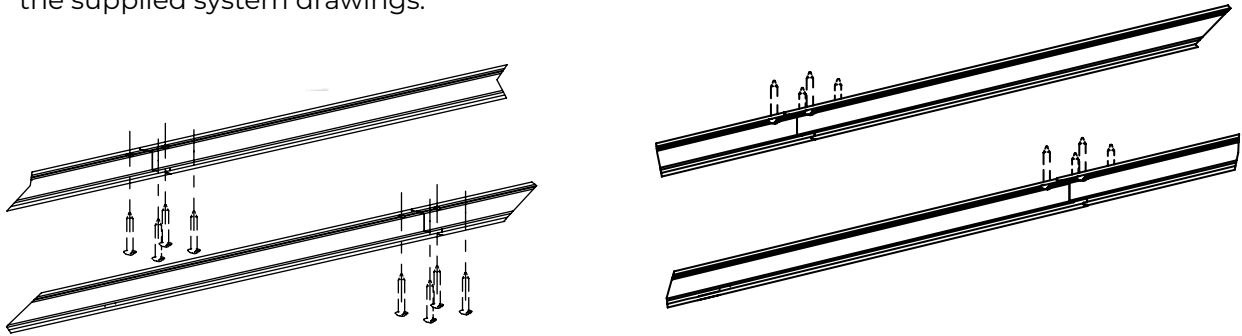
Connector for T-Rail

*Optional hardware, not necessary for standard installation, only included for building rigid frames prior to mounting on ceiling

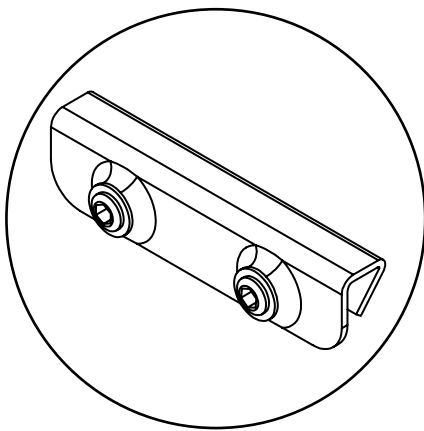
2.0 SUSPENSION INSTALLATION

2.1 Mounting T-Rail

- Connector for T-Rail shall be supplied by FabricAir.
- T-Rail is produced in 2 m sections. T-Rails can be cut to the desired length as necessary.
- These suspension systems must be mounted flush to the ceiling. They cannot be suspended below the structure using T-Rail.
- Center-line of T-Rails should be spaced according to the diameter of the duct as shown on the supplied system drawings.

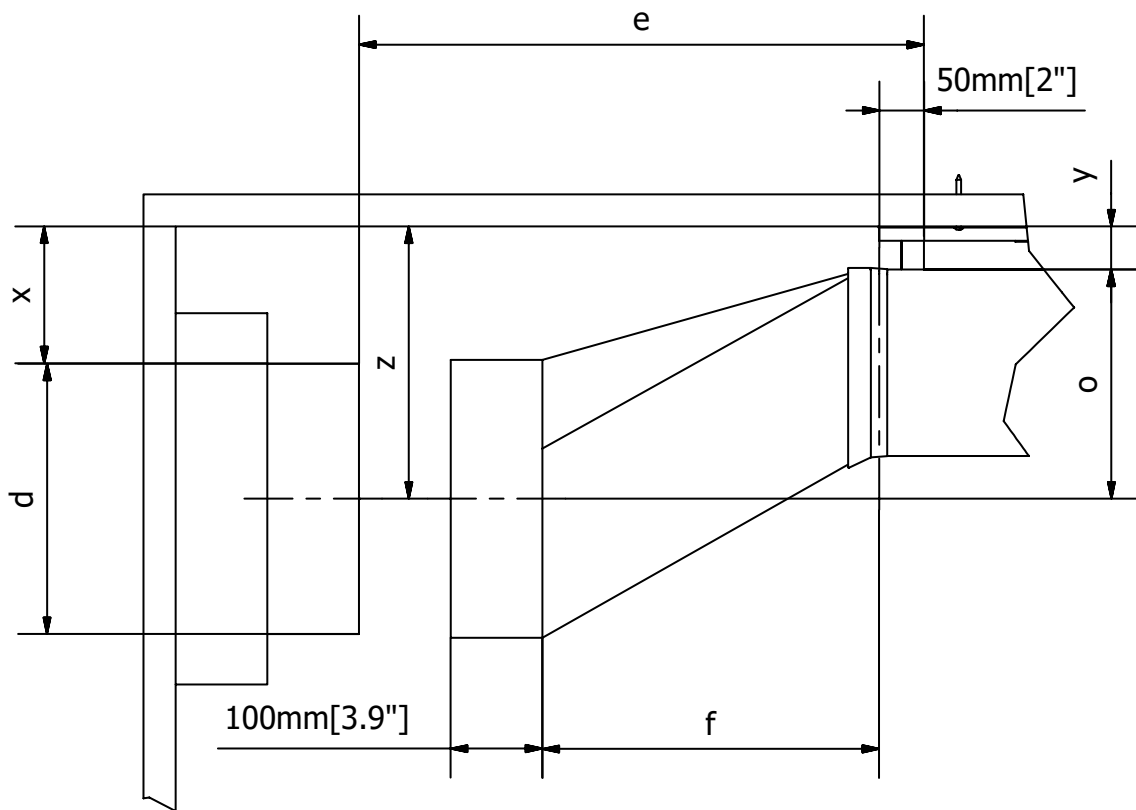


For maximum stability, T-Rails must be secured to the structure on both sides of each end, with a minimum of four fasteners per rail. Fasteners supplied by others.



Connector slides into groove of T-Rail and is fixed by two hex bolts.
T-Rail connectors use 3 mm hex key.

- Utilize chalk lines and/or lasers to ensure straight installation.
- T-Rails are not pre-drilled, allowing for contractor flexibility in determining the best location for fastening to the structure.
- The system may be attached to the T-Bar framework of suspended ceiling for types 11, 11A and 12. The T-Rails should be securely affixed to the T-Bars at intervals of 600 mm [2'] or 1200 mm [4'].
- It is of paramount importance to ensure compliance with the weight load specifications of the ceiling system prior to installation, as failure to adhere to these guidelines can result in structural integrity issues. Thus, it is essential to thoroughly review and verify the weight load capacity of the system to ensure safe and secure implementation.



$$e = f + 50 \text{ mm [2'']}$$

$$z = x + \frac{1}{2} d$$

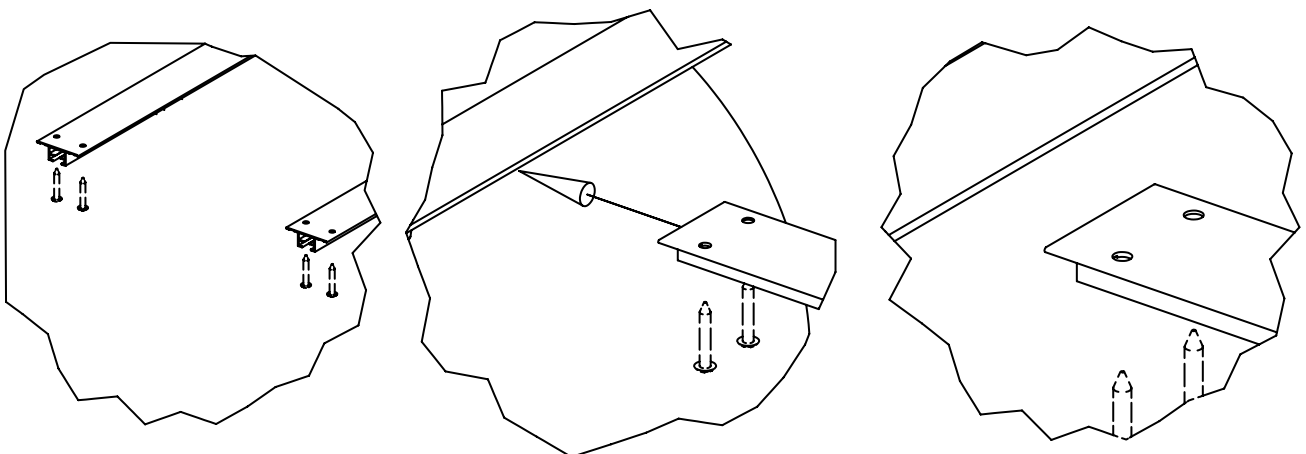
d = diameter

$$z = o + y$$

$$y = 30 \text{ mm [1.18'']}$$

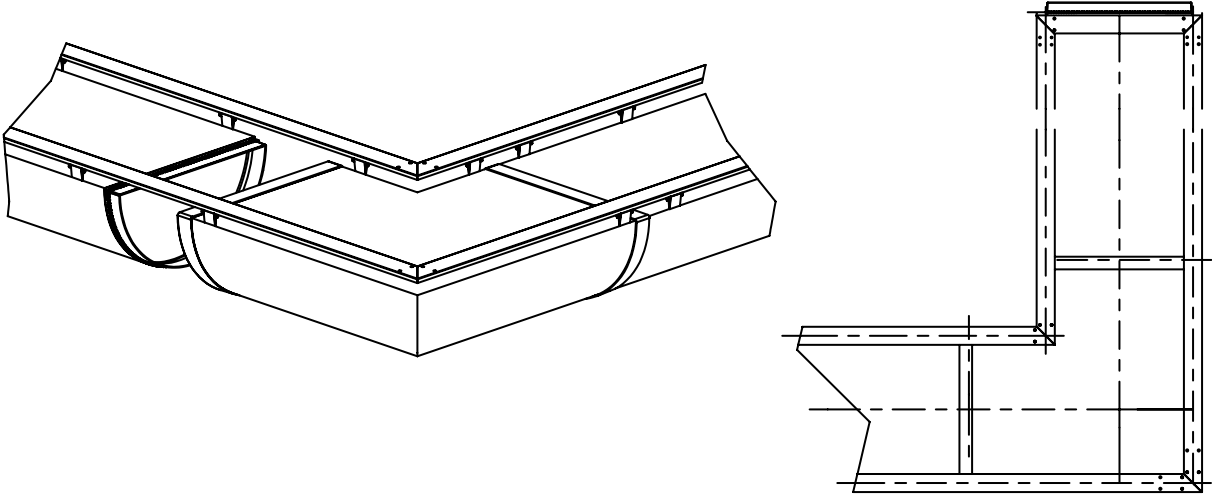
2.2 Mounting T-Rail for branches

Video

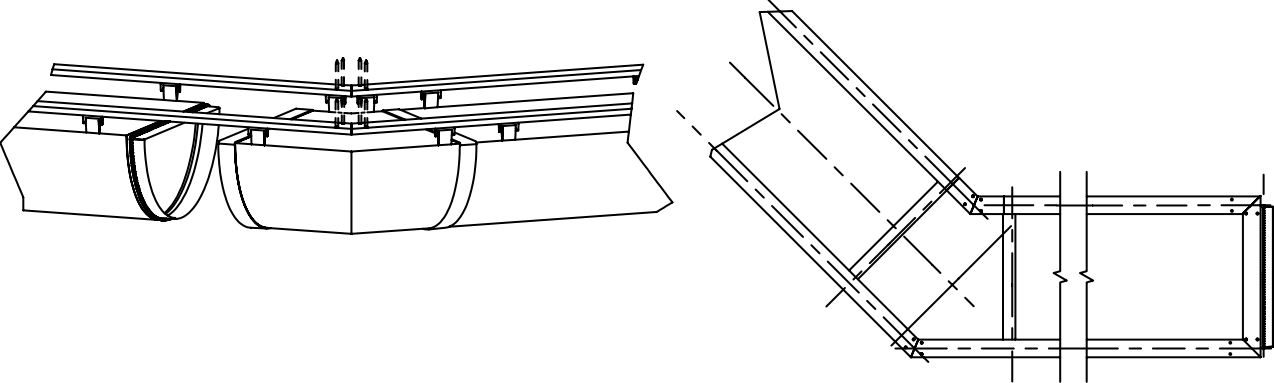


2.3 Bendings and elbows

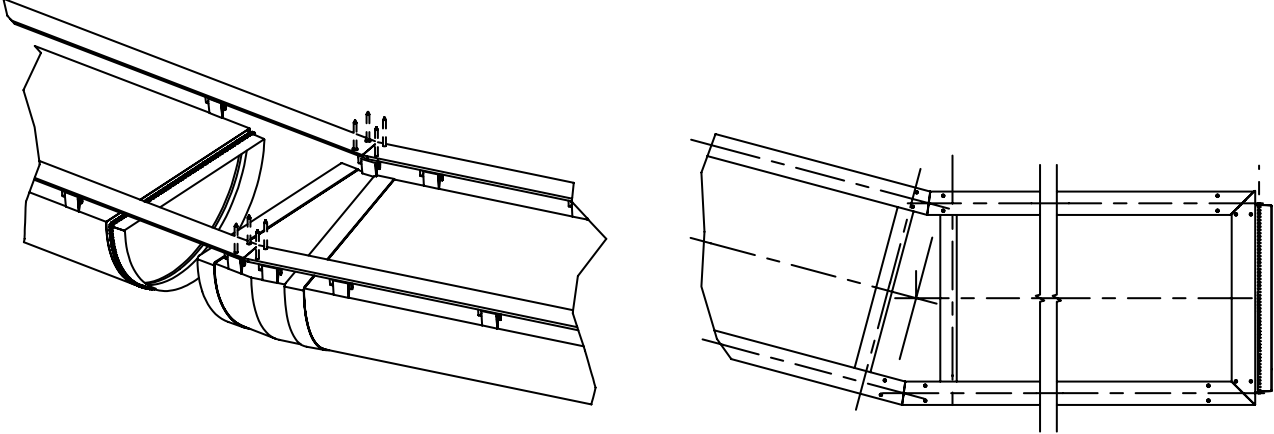
90° Elbow



45° Elbow



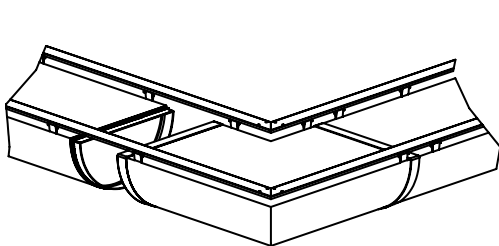
5° Elbow



- T-Rails are delivered in 2 m sections. To meet desired angle for systems with elbows, T-Rails may be cut to length and mitered on site.

2.4 Detailed suspension installation details

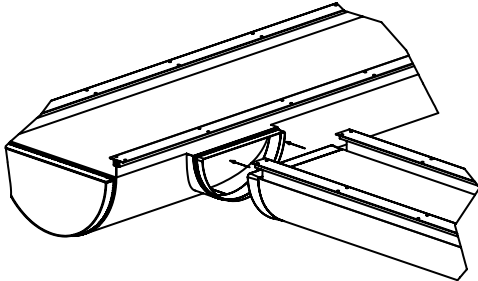
Use QR code for more detailed information for each type.



Bendings and elbows
All degrees and sizes

Drawings

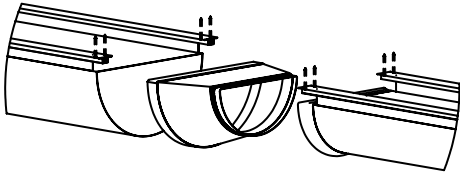
Click or Scan



Branches
Top/center/bottom aligned

Drawings

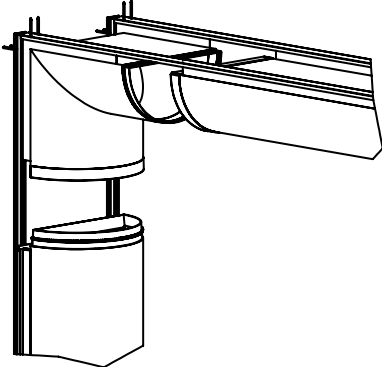
Click or Scan



Reductions
Top/center/bottom aligned

Drawings

Click or Scan



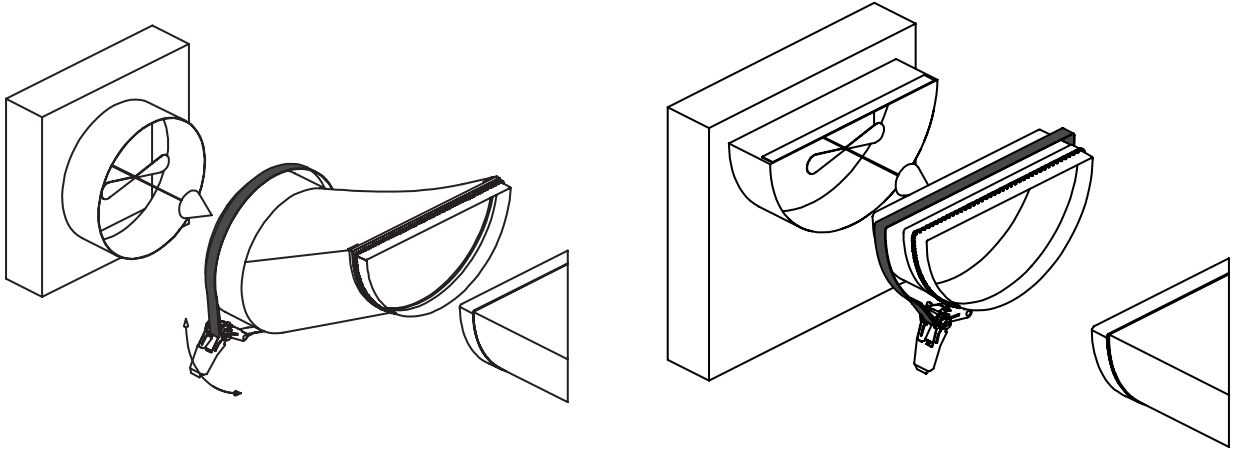
Vertical duct suspension methods

Drawings

Click or Scan

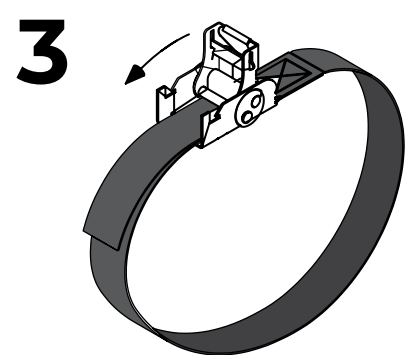
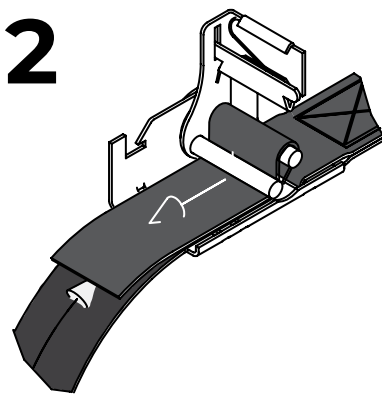
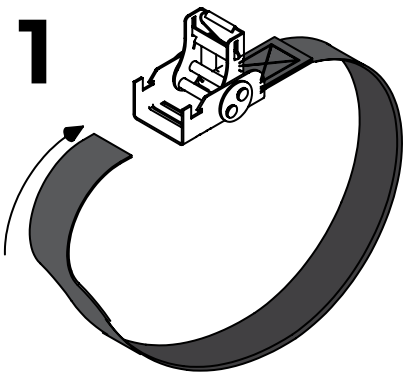
3.0 INSTALLING THE FABRIC

3.1 Connection to sheet metal part with fixing strap

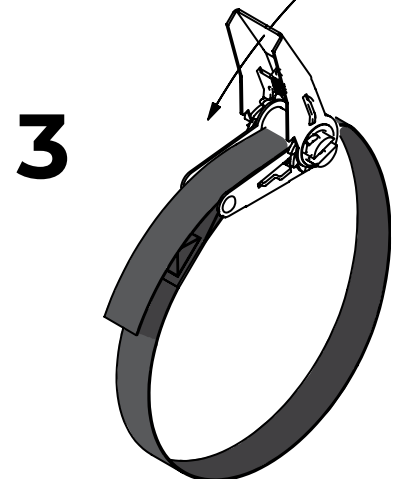
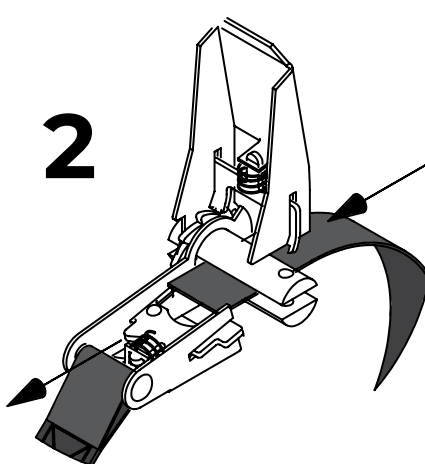
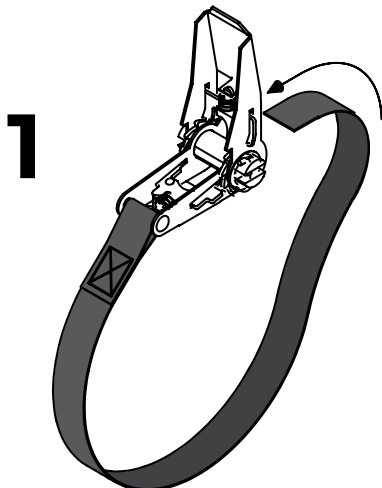


3.2 Fixing straps

Part ID (17) Duct $\varnothing < 510$ mm [20"]



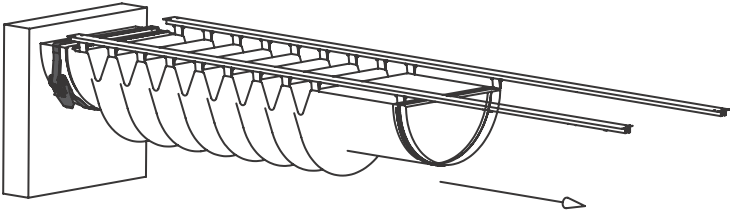
Part ID (18) Duct $\varnothing \geq 510$ mm [20"]



3.3 Installation of duct on T-Rail

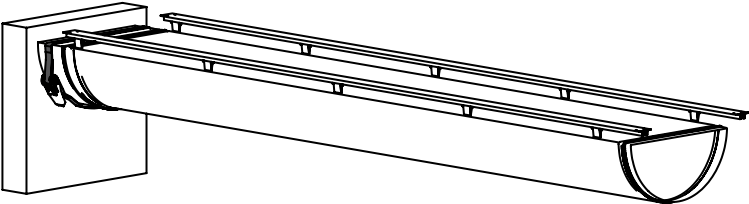
1

Hang ducting first

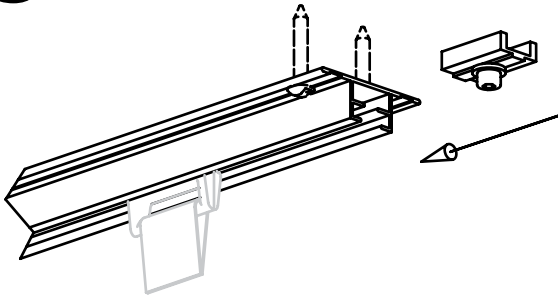


2

Stretch the duct

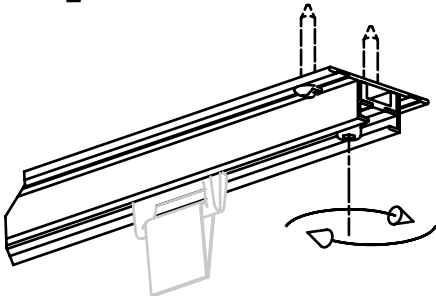


3



Secure duct by inserting profile lock

4



Fix profile lock by turning bolt clockwise



fabricair.com/contacts

All rights reserved to FabricAir®, 2023.
The latest version can be downloaded from fabricair.com