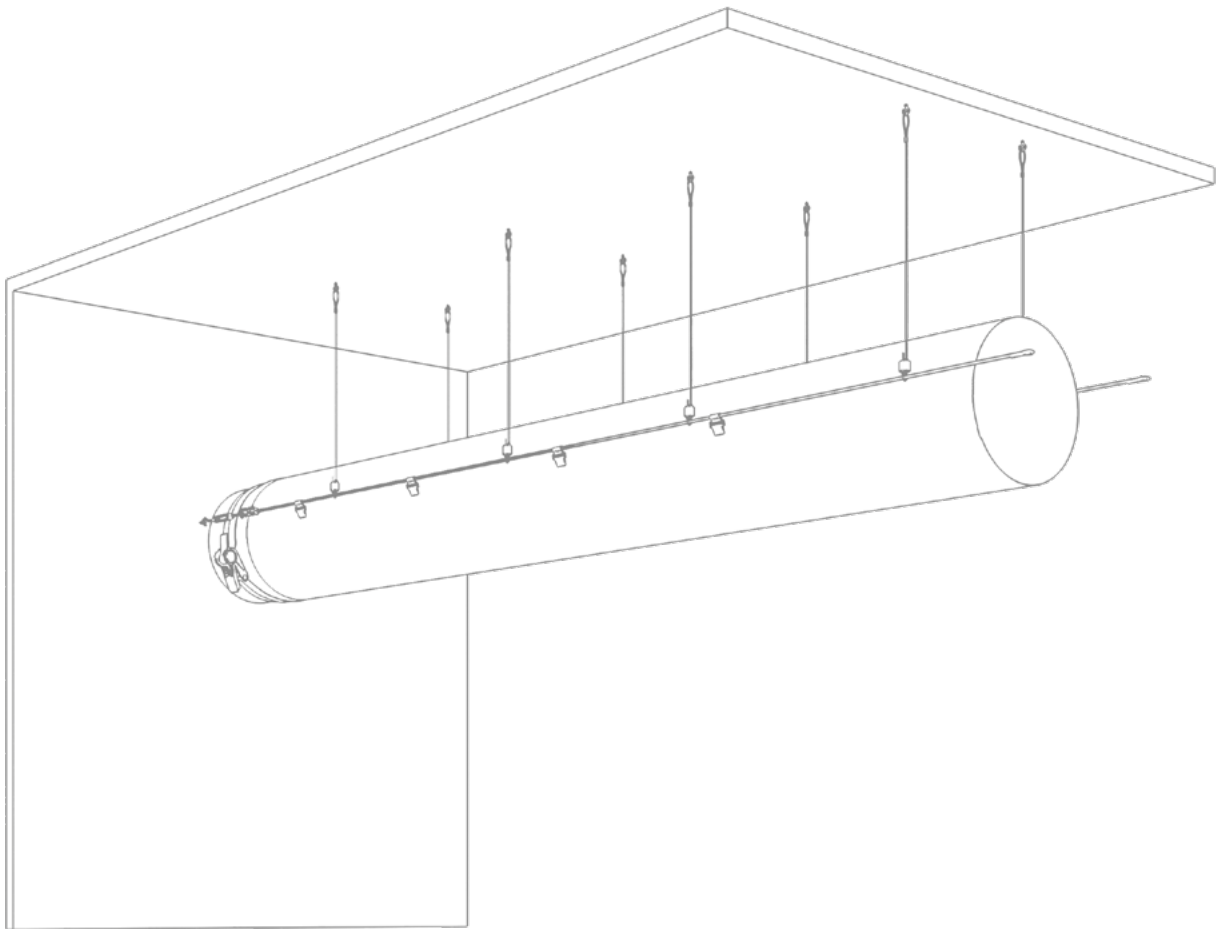


Type 02

Installation Manual

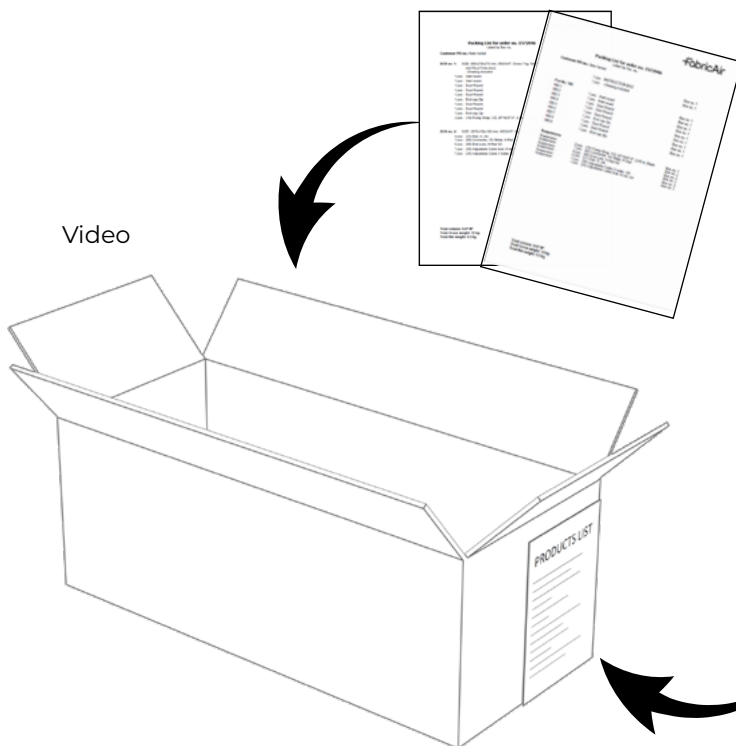


Type 02 cable suspension is compatible with classic ducts. The horizontal cable is available as PVC coated Galvanized or PVC coated Stainless Steel aircraft cable.

Content

1.0 OPENING PACKAGE	3
1.1 Understanding components table.....	4
1.2 Type 02 suspension components.....	5
2.0 SUSPENSION INSTALLATION	6
2.1 Horizontal cable installation.....	6
2.2 Vertical hangers.....	8
2.3 Reductions	9
2.4 Detailed suspension installation	10
3.0 INSTALLING THE FABRIC.....	11
3.1 Connection to sheet metal part with fixing strap	11
3.2 Fixing straps.....	11
3.3 Installation of duct on cable.....	12

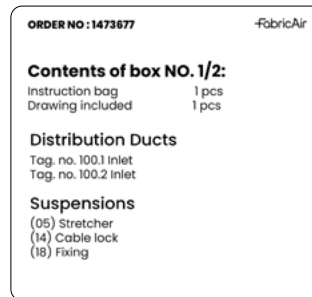
1.0 OPENING PACKAGE



Box 1 includes all project documentation:

- System Drawing(s)
- Installation Guide
- Packing List (by box)
- Packing List (by positions)

Box number and contents list visible on external box label.



FabricAir		
Packing List for order no. 1572946 Listed by Pos. no.		
Customer PO no.: Nate Verbal		
	1 pcs INSTRUCTION BAG	Box no. 1
	1 pcs - Drawing included	Box no. 1
Pos No. 100		
100.1	1 pcs Inlet round	Box no. 1
100.2	1 pcs Inlet round	Box no. 1
100.3	1 pcs Duct Round	Box no. 1
100.4	1 pcs Duct Round	Box no. 1
100.5	1 pcs Duct Round	Box no. 1
100.6	1 pcs End cap Zip	Box no. 1
100.7	1 pcs Duct Round	Box no. 1
100.8	1 pcs Duct Round	Box no. 1
100.9	1 pcs End cap Zip	Box no. 1
Suspensions		
Suspension	2 pcs (18) Fixing Strap, Y/Z, Ø710/27.9", 2.46 m, Black	Box no. 1
Suspension	1 pcs (06) Connector, SS Metal, H-Rail	Box no. 2
Suspension	6 pcs (08) End Lock, H-Rail SS	Box no. 2
Suspension	4 pcs (21) Rail, H, 2m	Box no. 2
Suspension	7 pcs (38) Adjustable Cable 2 meter, SS	Box no. 2
Suspension	7 pcs (36) Adjustable Cable lock, H-rail, SS	Box no. 2
Total volume: 0.07 M ³ Total Gross weight: 12 kg Total Net weight: 9.3 kg		

FabricAir		
Packing List for order no. 1572946 Listed by Box no.		
Customer PO no.: Nate Verbal		
BOX no. 1:	SIZE: 590x210x275 mm, WEIGHT: Gross 7 kg, Net 5.9 kg.	
	INSTRUCTION BAG	
	- Drawing included	
	1 pcs Inlet round	Tag No. 100.1
	1 pcs Inlet round	Tag No. 100.2
	1 pcs Duct Round	Tag No. 100.3
	1 pcs Duct Round	Tag No. 100.4
	1 pcs Duct Round	Tag No. 100.5
	1 pcs End cap Zip	Tag No. 100.6
	1 pcs Duct Round	Tag No. 100.7
	1 pcs Duct Round	Tag No. 100.8
	1 pcs End cap Zip	Tag No. 100.9
	2 pcs (18) Fixing Strap, Y/Z, Ø710/27.9", 2.46 m, Black	Suspension
BOX no. 2:	SIZE: 2070x150x100 mm, WEIGHT: Gross 5 kg, Net 3.45 kg.	
	4 pcs (21) Rail, H, 2m	Suspension
	1 pcs (06) Connector, SS Metal, H-Rail	Suspension
	6 pcs (08) End Lock, H-Rail SS	Suspension
	7 pcs (36) Adjustable Cable lock, H-rail, SS	Suspension
	7 pcs (38) Adjustable Cable 2 meter, SS	Suspension
Total volume: 0.07 M ³ Total Gross weight: 12 kg Total Net weight: 9.3 kg		

- There are two packing lists – by box and by position. Each box may contain either suspension components or ducting. Each duct section/component has a Tag number (Tag No. XXX.X). Suspension elements have part ID numbers. Example: (21) H-Rail, 2 m. In this case, (21) is part ID.
- Tag numbers are marked in assembly sequence. Assembly of ducting should start with Tag No. XXX.1 and continue accordingly.

1.1 Understanding components table (located on system drawing)

COMPONENTS								
Tag#	Fabric	Color	Flow model			Suspension		
			Primary	Placement	Secondary	Type	Strap length	Material
350404600025	Combi 70	Black 3004			FabFlow		0	GV
100.1	Combi 70	Black 3004			FabFlow		0	GV
100.2	Combi 70	Black 3004	SonicFlow SonicFlow SonicFlow SonicFlow SonicFlow	2:00 3:00 4:00 5:00 6:00	FabFlow	Type 01 AiO	50 mm [2"]	GV

THE CHART SHOWN ABOVE IS AN EXAMPLE

Tag#: the unique number for that section, this is the identifying/unique number for that section.

Tag 3504..##..25: this part is the FabricAir flow straightener that helps manage turbulence and can be zipped into any joint.

Fabric: the fabric selected for this project.

Color: the color selected (standard meaning to select from the standard color chart for that fabric).

Flow model primary: primary dispersion method.

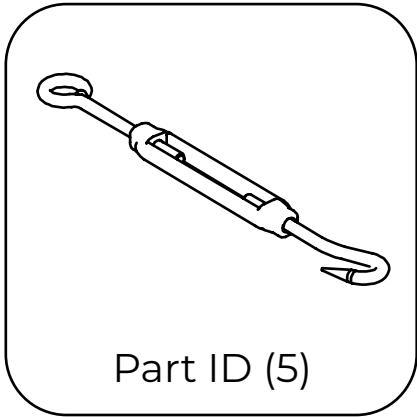
Placement: position of the holes; direction of airflow based on looking in the direction of airflow with the air hitting you from behind.

Flow model secondary: FabFlow for permeable fabrics.

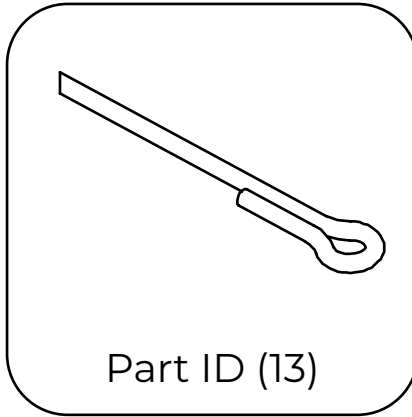
Suspension type: the suspension model selected for the project.

Strap length: the length of the strap from the top of the duct to the suspension.

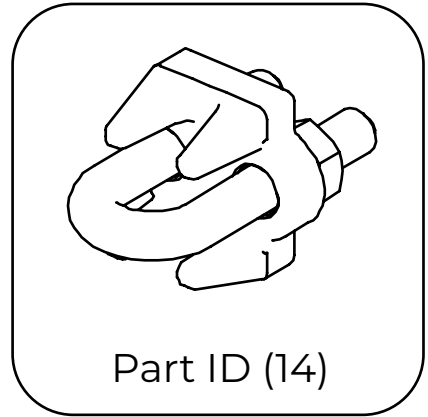
1.2 Type 02 suspension components (located on packing lists)



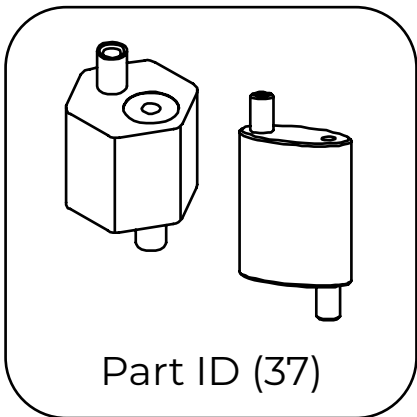
Stretcher for horizontal cable



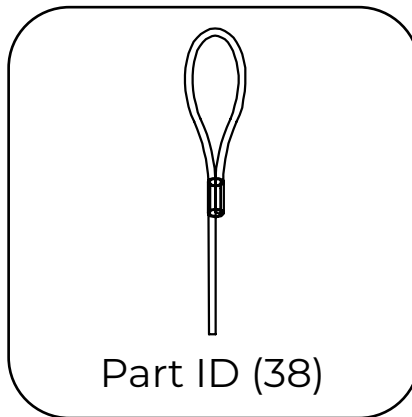
Horizontal cable



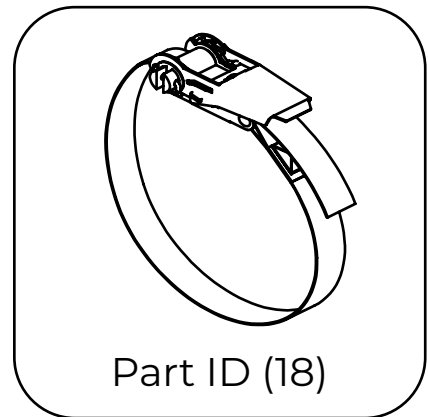
Cable lock for horizontal cable



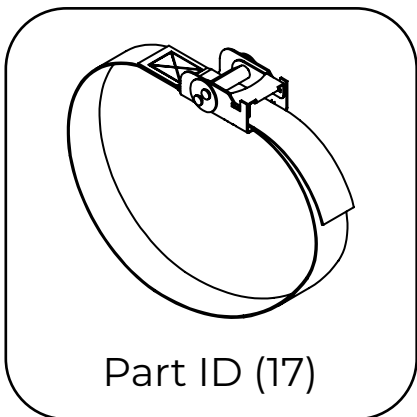
Adjustable cable lock for vertical hangers
Available in
2 options – GV and SS



Adjustable cable with loop

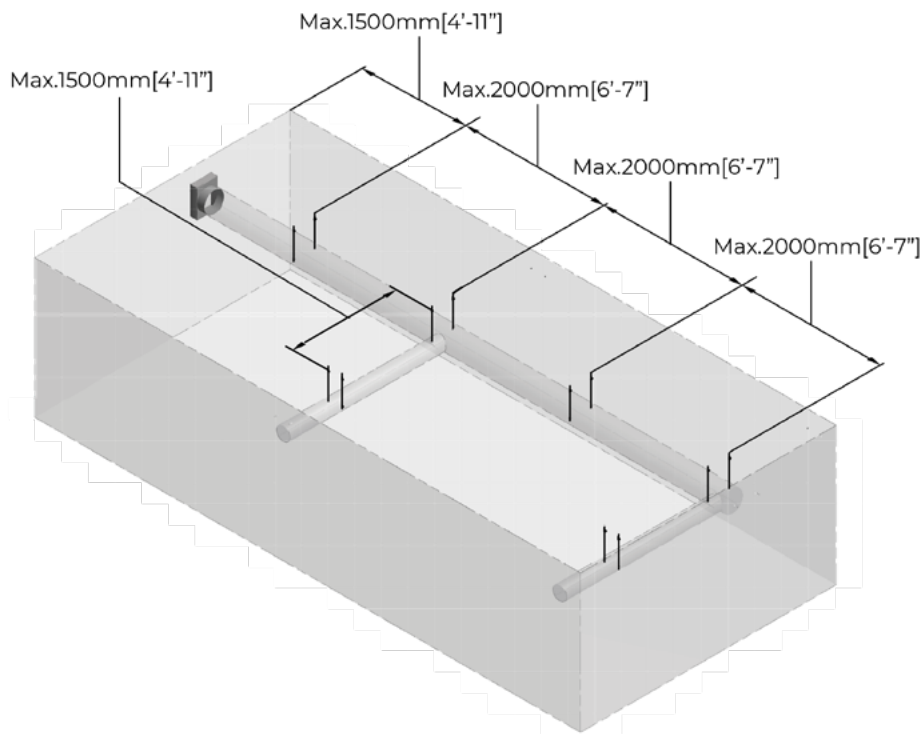


Fixing strap for duct
Ø > 508 mm [20"]

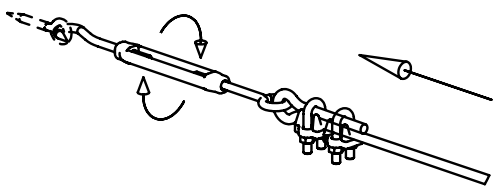
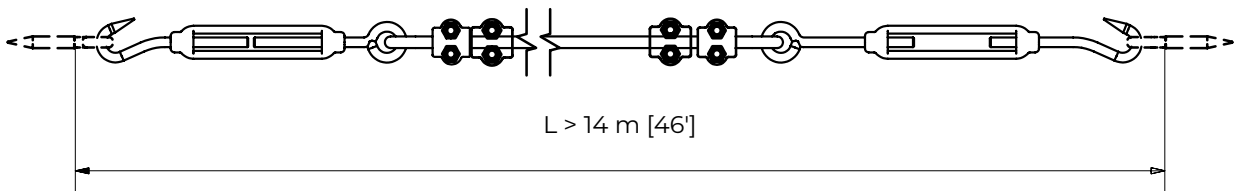


Fixing strap for duct
Ø < 508 mm [20"]

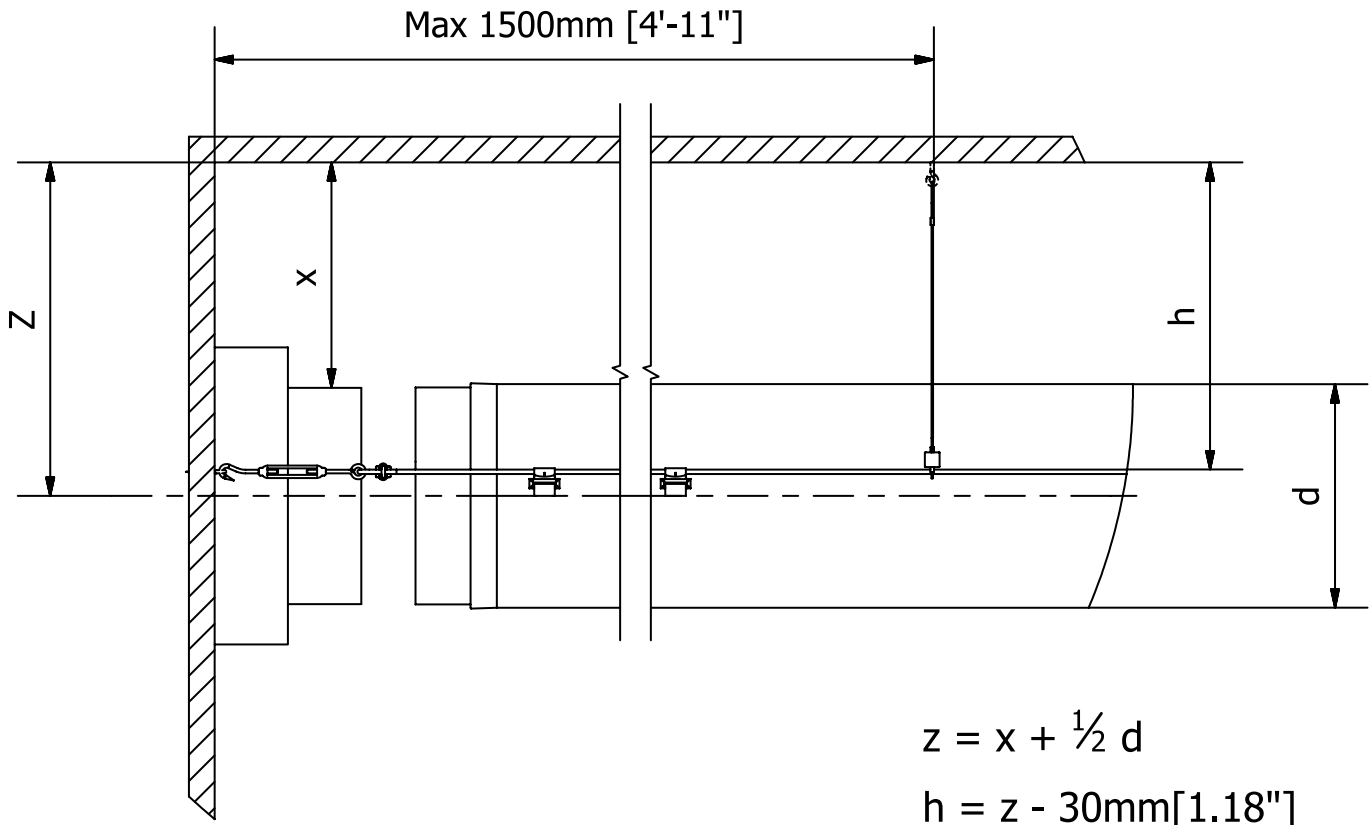
2.0 SUSPENSION INSTALLATION



2.1 Horizontal cable installation



- Use lasers or chalk lines to ensure horizontal and vertical anchor points are properly aligned.
 - Carefully uncoil cable to prevent twisting and tangling.
 - Ensure that the wall is strong enough to handle the tension from the cable. The longer the horizontal cable is, the more tension you have.
 - Anchor points may be strengthened as necessary by adding a support plate on either side of the wall.
- In case there is a long distance from ends of fabric ducting to walls, then an anchor point may be attached to the sheet metal connection. At the end of the duct, the cable can be supported by an anchor point connected to the ceiling.
 - Length of horizontal cable: Always ensure there is additional cable minimum 300 mm [12"] at the end, which will leave space for the ducting to extend in length when pressurized.
 - If the cable must be mounted less than 100 mm [4"] from the ceiling structure, the hangers can be replaced with eyebolts. Eyebolts to be attached to the ceiling structure, and the cable can be pulled through the eyebolts.



1. Straps can be manufactured in any specified length, upon request.
2. Vertical hangers can be delivered in 2 m [7'], 5 m [16'], 10 m [32'] length, depending on distance from ceiling structure to FabricAir system.

NOTE! Hardware quantities for vertical hangers are calculated based on 2 m [6'-7"] spacing. Installer must request additional hardware if vertical anchor spacing is to be less than 2 m [6'-7"].

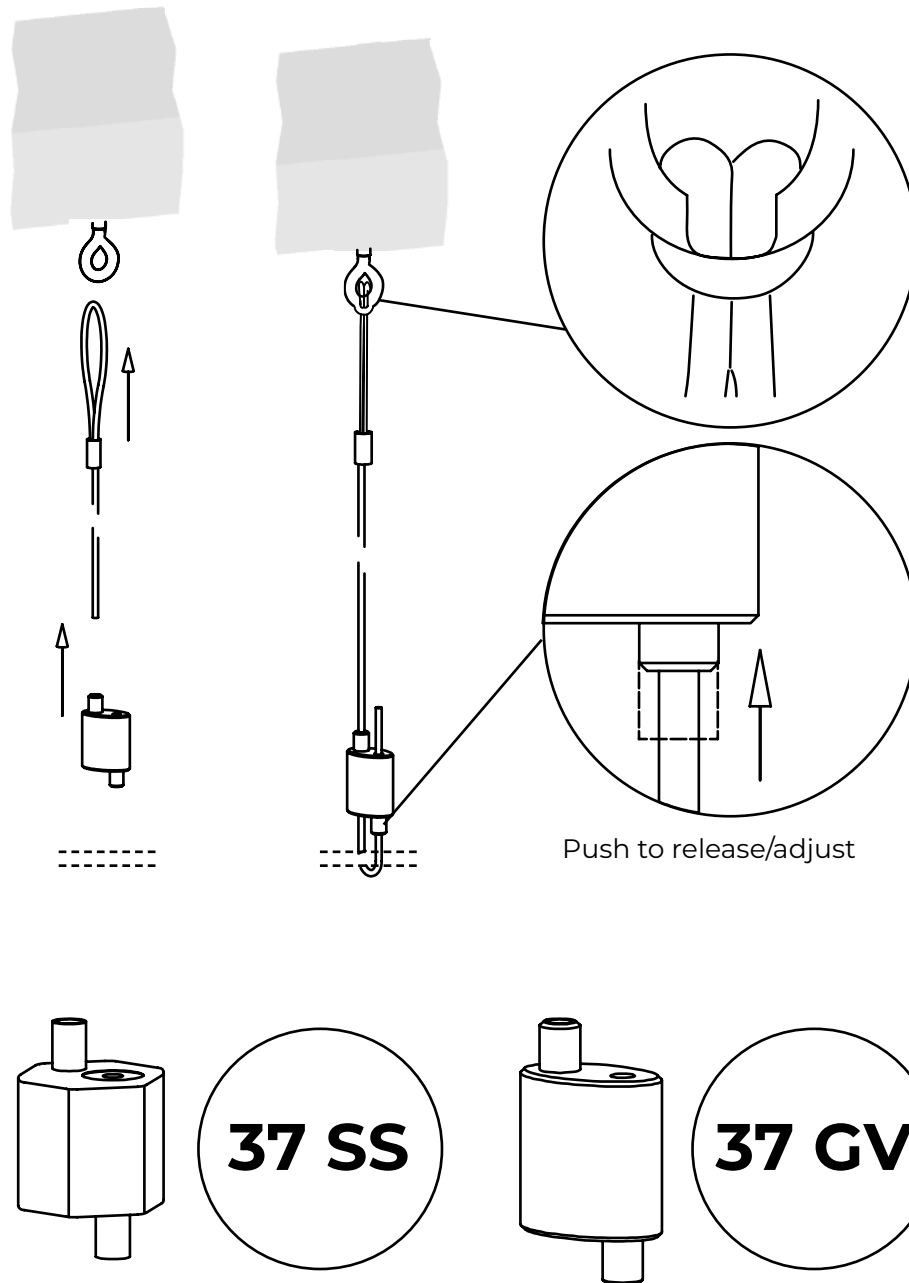
Standard strap length for the 3 possible options:

classic: S = 30 mm [1.2"] minimum length;

All-in-One / Internal 360° Hoops: S = 50 mm [2"] minimum length.

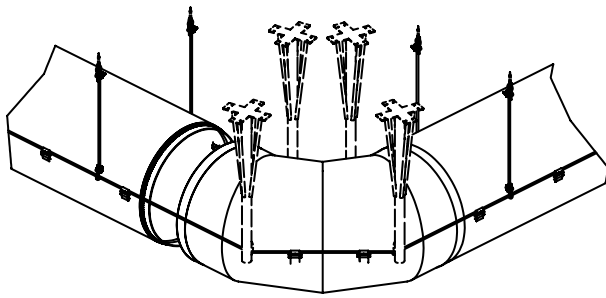
2.2 Vertical hangers

- Connection to ceiling structure shall be supplied by the contractor.
- Adjustable cable with loop – available in 2/5/10 m [7/16/32'] length.

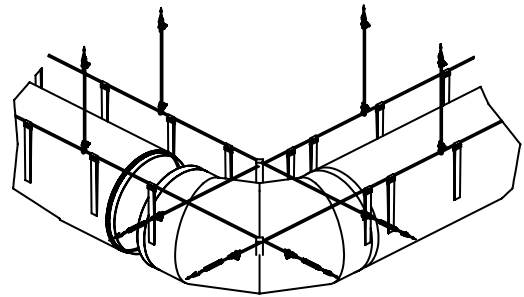


- In case of long fabric ducting, we recommend to install the vertical hangers first, adjust the height and then pull the horizontal cable through all the hangers.
- The weight of a FabricAir system is very low (< 3 kg/m [< 2 lbs/ft]). Anchors to the structure may be selected accordingly (5:1 safety factor is always recommended).
- In corrosive areas we recommend to seal all connections made in walls/ceilings, to prevent corrosion of the structure. Always use approved paint/sealant.

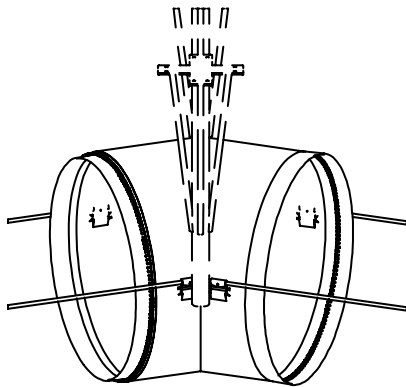
2.3 Bendings and elbows



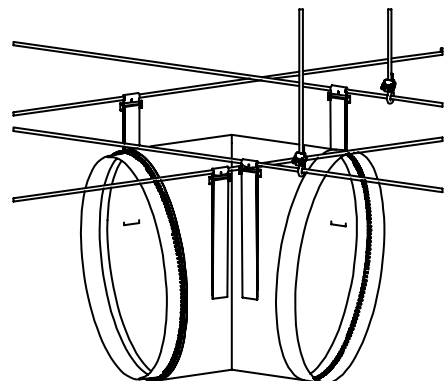
**2-Gore elbows ($< 70^\circ$)
with standard length straps**



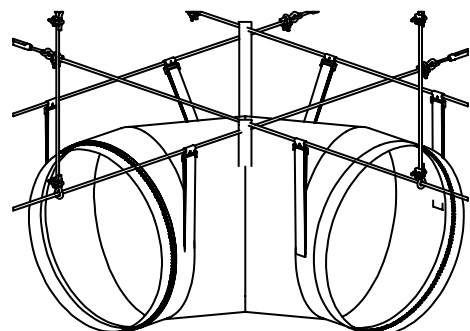
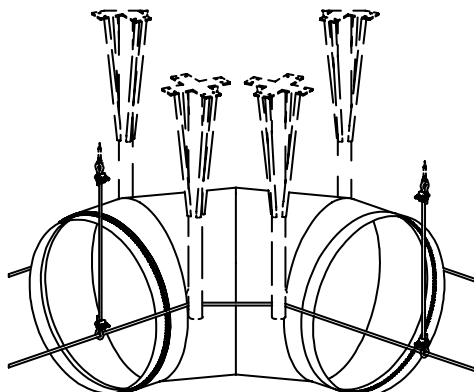
**2-Gore elbows ($< 70^\circ$)
with standard length straps**



**4-Gore elbows ($\geq 70^\circ$)
with standard length straps**

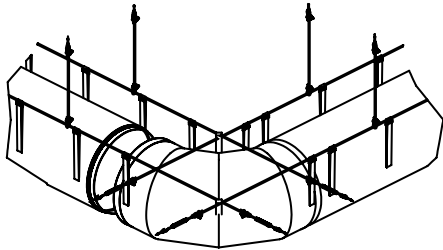


**4-Gore elbows ($\geq 70^\circ$)
with extended straps**

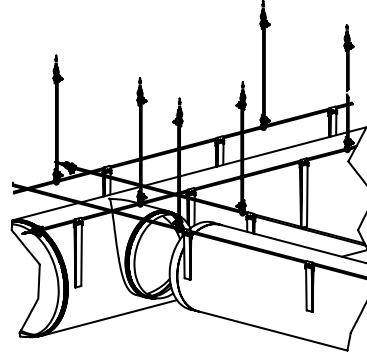


2.4 Detailed suspension installation details

Extended straps are recommended for any Type O2 system with elbows or branches.
Use QR code for more detailed information for each type.



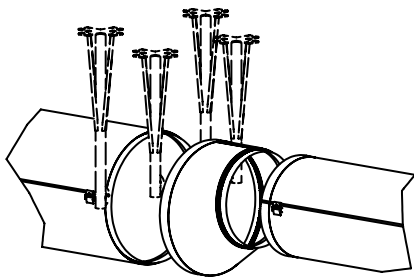
Bendings and elbows
All degrees and sizes



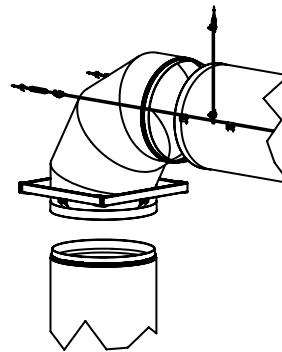
Branches
Top/center/bottom aligned

Drawings

Drawings



Reductions
Top/center/bottom aligned



**Vertical duct
suspension methods**

Drawings

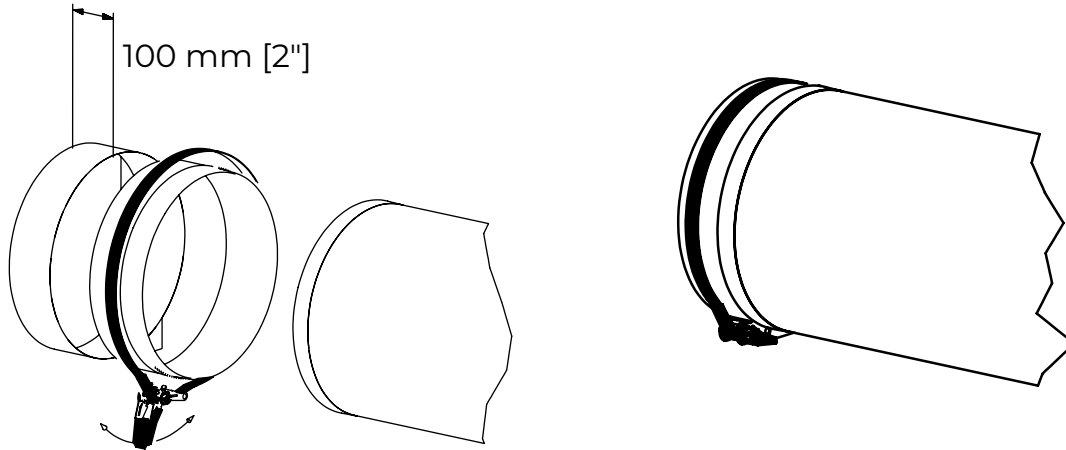
Drawings

3.0 INSTALLING THE FABRIC

3.1 Connection to sheet metal part with fixing strap

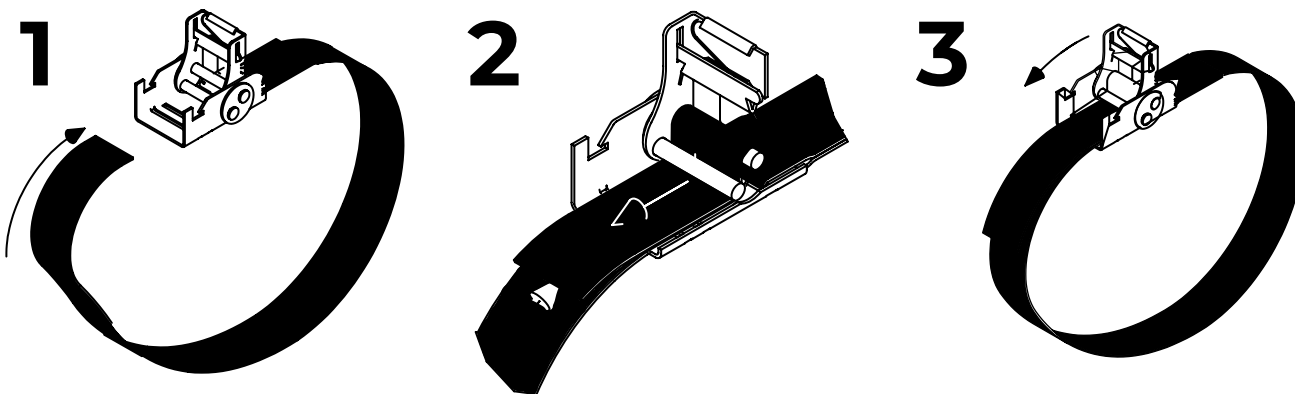
Min. 50 mm [2"]

100 mm [2"]

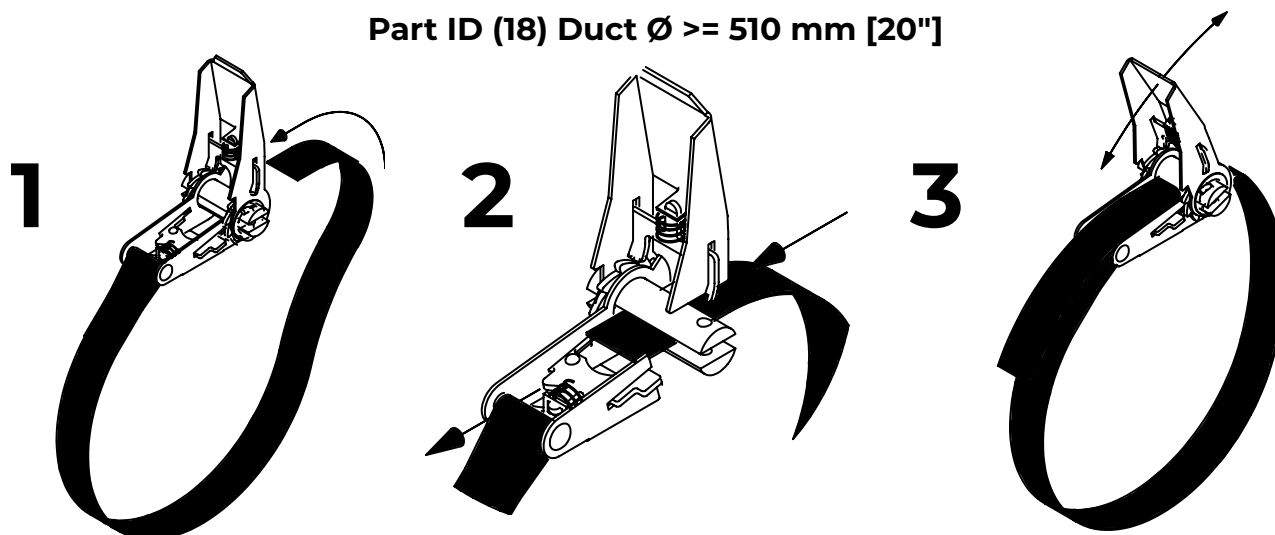


3.2 Fixing straps

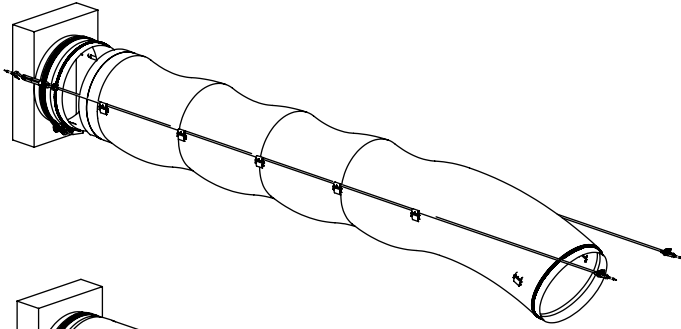
Part ID (17) Duct $\varnothing < 510$ mm [20"]



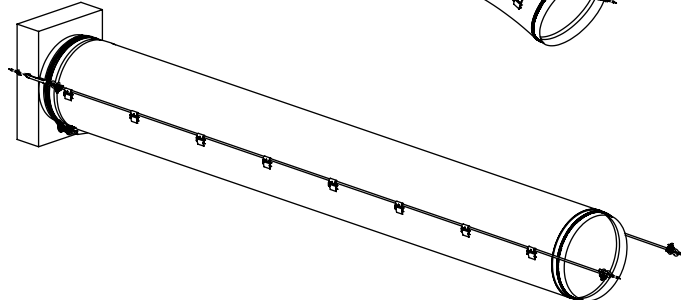
Part ID (18) Duct $\varnothing \geq 510$ mm [20"]



3.3 Installation of duct on cable

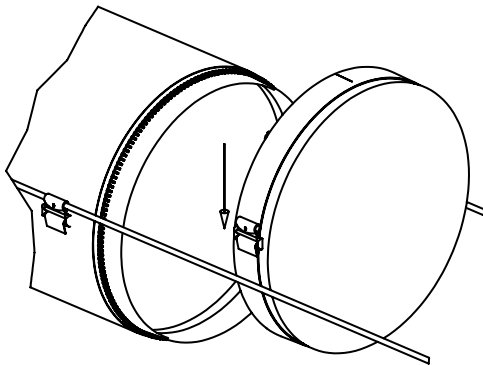


1
Hang ducting first

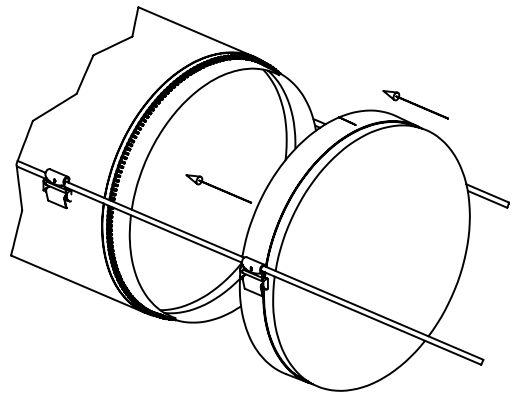


2
Stretch the duct

3
Hang endcap on the cable



4
Slide endcap to the end of the duct. Zip it



* Secure duct when full extended with cable locks as slide stops to ensure best aesthetics



fabricair.com/contacts/

All rights reserved to FabricAir®, 2023.
The latest version can be downloaded from fabricair.com
Version: 230809